

MEDLINE
IMPROVING EFFICIENCY

CARELINE
IMPROVING EFFICIENCY

Focus on

Couches and Tables

(treatment/examination)



www.linak.com/medline-careline

LINAK® 
WE IMPROVE YOUR LIFE

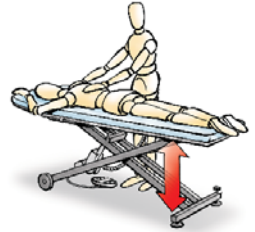
Flexible functionality and improved ergonomics are some of today's needs for treatment and examination couches

Unfavourable working postures can create back disorders for nursing staff and doctors who work around treatment and examination couches. Today, focus is on ergonomics and how to avoid back pains and improve working environments in hospitals and private practices. With an electric actuator solution on the treatment and examination couch, **improved comfort and ergonomics** are ensured for both work staff and patients.

LINAK has more than 30 years of experience within the actuator business and can provide electric actuator solutions of very high quality that enable you to create a unique and differentiated product.

As an experienced system supplier of treatment and examination couches, LINAK offers:

- High-quality electric solutions
- Simple systems or customised OpenBus™ systems
- Value-adding features via OpenBus™ technology
- Flexible solutions according to your needs



Did you know...

...that chronic lower back pain is one of the greatest health problems in industrialised societies with large societal costs every year.

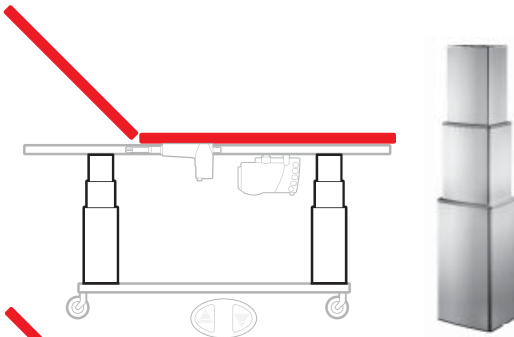
Source:
Clinical update: Low back pain,
2007

With a LINAK electric solution we can help you prevent back disorders.

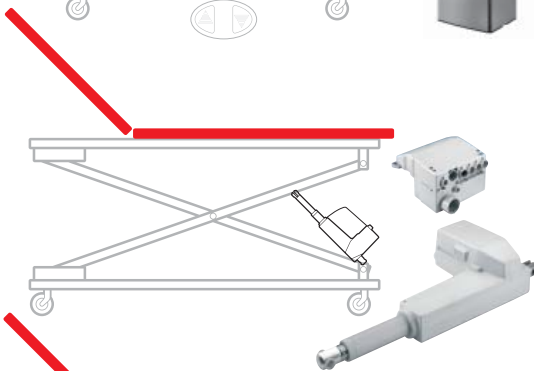
LINAK® offers system solutions

Our solutions have been developed and tested as systems. This ensures the functioning and the safety of our systems.

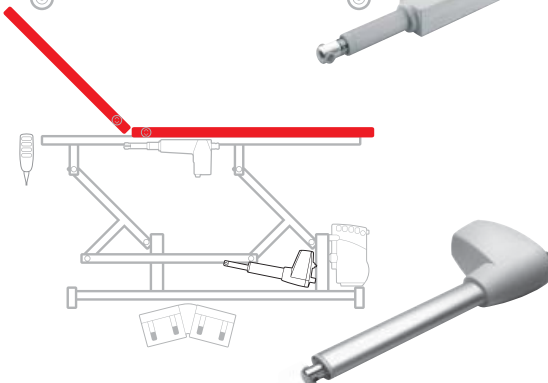
We can advise the best solutions according to your needs.



The **BL1 column** in aluminium are perfect when you prefer a clean design. No hand or legs can get caught between the moving parts.



A well-proven and easy fit system for scissor lifts is the **CB9 control box and the LA31 actuator** solution. This solution **lifts up to 6000N without disturbing noises.**



The **LA44 actuator** can lift up to **12000N** providing a safe and heavy lift. It is possible to choose between different control options; foot switch, hand controls or control panels.

OpenBus™ accessories





Global presence

LINAK has a well-developed sales and service organisation in Europe, America, Asia and Australia. Therefore, we can assist you and your customers locally, under the global sales concept idea: **Be global, act local**

Terms of use

The user is responsible for determining the suitability of LINAK products for a specific application. LINAK takes great care in providing accurate and up-to-date information on its products. However, due to continuous development in order to improve its products, LINAK products are subject to frequent modifications and changes without prior notice. Therefore, LINAK cannot guarantee the correct and actual status of said information on its products. While LINAK uses its best efforts to fulfil orders, LINAK cannot, for the same reasons as mentioned above, guarantee the availability of any particular product. Therefore, LINAK reserves the right to discontinue the sale of any product displayed on its website or listed in its catalogues or other written material drawn up by LINAK.

All sales are subject to the Standard Terms of Sale and Delivery for LINAK. For a copy hereof, please contact LINAK.



WE IMPROVE YOUR LIFE