

Setting up your DVD/CD Receiver

Caution When connecting this system or changing connections, be sure to switch the power off with the **STANDBY/ON** button, and disconnect the power cord from the AC outlet. Do not use these speakers with any other system or amplifier as this may result in damage or fire.

1 Check that you have all the accessories, then put the batteries in the remote control.

Power cord *
* In some countries or regions, the shape of the power plug may sometimes differ from that shown in the explanatory drawings.

Remote control
AA size IEC R6 dry cell batteries (to confirm system operation)

Video cord

FM antenna

AM loop antenna

1 2 3

2 Connect the AM and FM antennas to the rear panel of the DVD/CD receiver.

1 Pull off the protective shields of both AM antenna wires.

2 Push open the tabs, then insert one wire fully into each terminal.

3 Release the tabs to secure the AM antenna wires.

4 Fix the AM loop antenna to the attached stand.
To fix the stand to the antenna, bend in the direction indicated by the arrow (fig. A) then clip the loop onto the stand (fig. B).

Note: If you plan to mount the AM antenna to a wall or other surface, secure the stand with screws (fig. C) before clipping the loop to the stand. Make sure the reception is clear.

6 Connect the FM wire antenna to the FM UNBAL 75 Ω antenna terminal.
For best results, extend the FM antenna fully and fix to a wall or door frame. Don't drape loosely or leave coiled up.

Note: The signal earth (⚡) is designed to reduce noise that occurs when an antenna is connected. It is not an electrical safety earth.

Using the remote control
The remote control can be used within a range of about 7 meters from the remote sensor on the front panel, and within a 30 degree angle.

Precautions:

- The remote control may not work if there is an obstacle between the remote control and the display unit, or if the remote control is not directed towards the remote sensor of the display unit at the correct angle.
- The remote control may not work properly if strong light such as direct sunlight or fluorescent light is shining onto the unit's remote sensor.
- The remote control may not work properly when this unit is used near devices emitting infrared rays, or when remote controls of other devices which use infrared rays are used. Also, the use of this remote control may cause other devices to work improperly.
- When the operating range of the remote becomes too short, replace the batteries.

Remote control battery caution
Incorrect use of batteries may cause leakage or rupture.

Always be sure to follow these guidelines:

- Always insert batteries into the battery compartment correctly matching the positive (+) and negative (-) polarities, as shown by the display inside the compartment.
- Never mix new and used batteries.
- Batteries of the same size may have different voltages, depending on brand. Do not mix different brands of batteries.
- When disposing of used batteries, please comply with governmental regulations or environmental public instruction's rules that apply in your country or area.
- In order to prevent battery leakage, remove the batteries when not using the remote control for an extended period (one month or more). If leakage occurs, carefully wipe away any battery fluid inside the compartment, and replace the batteries with new ones.
- Do not allow books or other objects to rest on top of the remote control, since the buttons may be depressed, causing faster exhaustion of the batteries.
- Do not use or store batteries in direct sunlight or excessively hot places, such as inside a car or near a heater. This can cause batteries to leak, overheat, explode or catch fire. It can also reduce the life or performance of batteries.

Additional notes on connecting antennas

- Keep antenna cables away from the main unit and other cables.
- To assure optimum reception, pull the FM antenna so that it is fully extended and not coiled or hanging at the rear of the unit.
- If reception with the supplied antenna is poor, see the *Other connections* section in the main operating instructions for details on connecting outdoor antennas.

Additional notes on speaker placement
Place the speakers as shown in step 3 to achieve the optimum surround sound effect. Also observe the following guidelines:

- Install the main front left and right speakers at an equal distance from the TV.
- Install the center speaker above or below the TV so that the sound of the center channel is localized at the TV screen.

Precautions:

- When installing the center speaker on top of the TV, be sure to secure it with tape or some other suitable means. Otherwise, the speaker may fall from the TV due to external shocks such as earthquakes, endangering those nearby or damaging the speaker.
- Do not connect the supplied speakers with any other amplifier. This may result in malfunction or fire.
- Make sure that all the bare speaker wire is twisted together and inserted fully into the speaker terminal. If any of the bare speaker wire touches the back panel it may cause the power to cut off as a safety measure.
- The front, center and surround speakers supplied with this system are magnetically shielded. However, depending on the installation location, color distortion may occur if the speaker is installed extremely close to the screen of a television set. If this happens case, turn the power switch of the television set OFF, and turn it ON after 15 min to 30 min. If the problem persists, place the speaker system away from the television set.
- The subwoofer is not magnetically shielded and so should not be placed near a TV or monitor. Magnetic storage media (such as floppy discs and tape or video cassettes) should also not be kept close to the subwoofer.
- Do not attach the front, surround speakers and subwoofer to the wall or ceiling. They may fall off and cause injury.

3 Connect each speaker using the color-coded speaker cords. Match them to the colored speaker terminals on the rear panel of the DVD/CD receiver.

Connect each speaker as shown below.

1 Twist and pull off the protective shields on each wire.

2 Connect the wires to the speaker. Match the colored wire with the color-coded label (above the tabs), then insert the colored wire into the red (+) tab and the other wire with the black (-) tab.

3 Connect the other end to the color-coded speaker terminals on the rear of the DVD/CD receiver (as shown at left). Make sure to insert completely. The small lug at the wire-end of the speaker plug should face up or down depending on whether it's being plugged into one of the upper or lower three speaker terminals. Please make sure to connect correctly.

Caution
These speaker terminals carry **HAZARDOUS LIVE voltage**. To prevent the risk of electric shock when connecting or disconnecting the speaker cables, disconnect the power cord before touching any uninsulated parts.

* Illustration shows the U.K. model

4 Connect the DVD/CD receiver to your TV, then connect the supplied power cord.

- 1 Connect one end to a video input on your TV.**
Use the supplied video cord.
- 2 Connect the other end to the video output of the DVD/CD receiver.**
This player is equipped with copy protection technology. Do not connect this player to your TV via a VCR using AV cables, as the picture from this player will not appear properly on your TV.
- 3 Connect the power cord to the AC inlet.**

* Illustration shows the U.K. model

Congratulations! You're done setting up. → To AC outlet

Speaker Setup Guide

Check that you have all the speaker accessories.

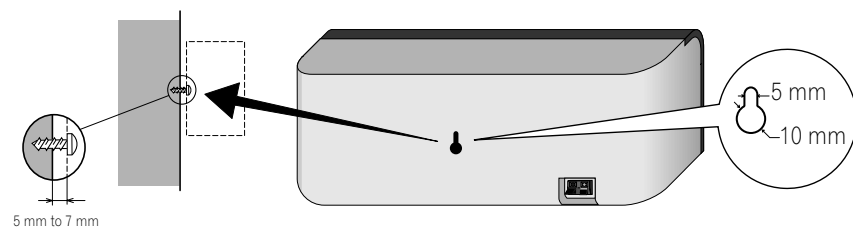
- Front speakers x 2
 - Center speaker x 1
 - Surround speakers x 2
 - Subwoofer x 1
 - Large non-skid pads (for front and surround speakers) x 16
 - Large non-skid pads (for subwoofer) x 4
 - Small non-skid pads (for center speaker) x 4
 - Speaker stand bases x 4
 - Screws (for bases) x 12
 - Speaker cords x 6
- Front left (White) Surround left (Blue) Front right (Red) Surround right (Grey) Center (Green) Subwoofer (Purple)

Safety precautions when setting up

When assembling the speakers, lay them down flat on their side to avoid accidents or injury. Make sure to use a stable surface when assembling, setting up, and placing the speakers.

Wall mounting the center speaker

The center speaker has a mounting hole which can be used to mount the speaker on the wall.



Before mounting (see above), keep in mind the following points:

- Remember that the speaker system is heavy and that its weight could cause the screws to work loose, or the wall material to fail to support it, resulting in the speaker falling. Make sure that the wall you intend to mount the speakers on is strong enough to support them. Do not mount on plywood or soft surface walls.
- Mounting screws are not supplied. Use screws suitable for the wall material and support the weight of the speaker.

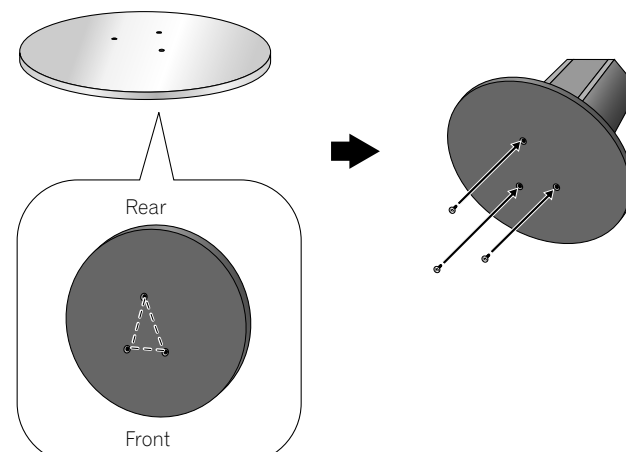
Caution

- If you are unsure of the qualities and strength of the walls, consult a professional for advice.
- Pioneer is not responsible for any accidents or damage that result from improper installation.

Assembling the speaker stands and securing your front and surround speakers

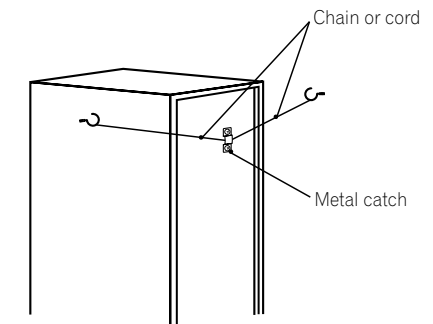
Attach the speaker stand bases to the stems using the screws provided.

Once you have aligned the stem and base, secure with the small screws at the points shown below. Note that the speaker should face in the direction of the base of the isosceles triangle (outlined below).



Secure each of the front and surround speakers using the metal catch provided.

Screw two picture hooks or similar into the wall behind the speaker. Pass a chain or cord around the hooks and through the metal catch so that the speaker is stabilized (make sure to test that it supports the weight of the speaker). After installing, make sure the speaker is securely fixed.

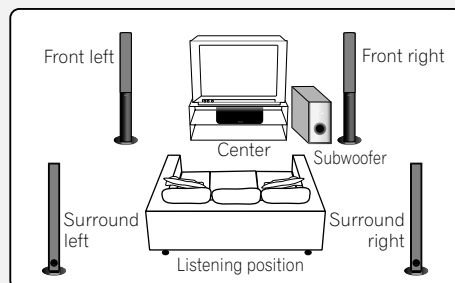


Caution

- The metal catch is not a mounting fixture, and the speaker should not be hung directly from the wall using this catch. Always use a chain or cord when stabilizing the speaker.
- Pioneer disclaims all responsibility for any losses or damage resulting from improper assembly, installation, insufficient strength of the installation materials, misuse, or natural disasters.

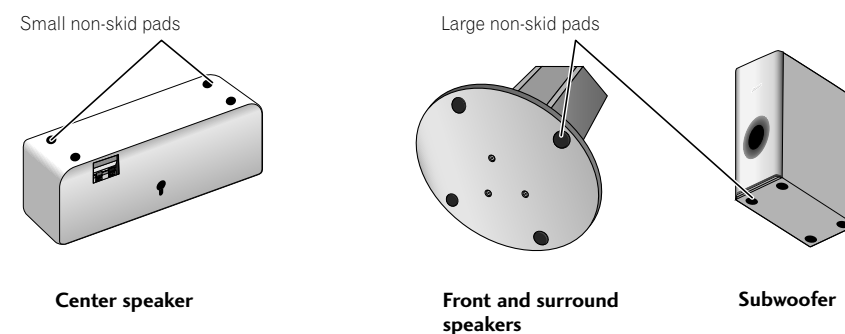
Standard surround setup

This is a standard multichannel surround sound speaker setup for optimal 5.1 channel home theatre sound.



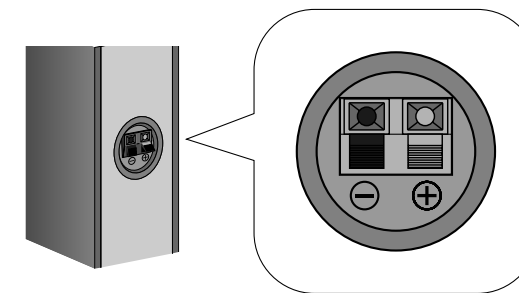
1 Attach the smaller non-skid pads to the base of the center speaker. The large non-skid pads are for the front and surround speakers, and the subwoofer (as shown).

Use the adhesive side of the pads to attach them to the base of each speaker and the subwoofer.



2 Connect the speaker system.

Refer to the *Setting up your DVD/CD Receiver* (the other part of this setup guide) to connect the speakers properly. Place them as shown in the diagram at far left optimal surround sound.



3 Switch on the system and select a surround listening mode for playback.

See the operating instructions for more on using the surround listening modes.