

Pioneer

Viktig användarinformation

DOLT NAVIGATIONSSYSTEM

AVIC-F220

Glöm inte att registrera produkten på www.pioneer.se (eller www.pioneer.eu)

Se till att läsa både den här broschyren och bruksanvisningen på CD-skivan som medföljer navigationssystemet! Båda dokument innehåller viktig information som du måste förstå innan du använder navigationssystemet.

Svenska

Konformitetsdeklaration avseende R&TTE-direktivet 1999/5/EG

Tillverkare:

Pioneer Corporation

1-1, Shin-ogura, Saiwai-ku, Kawasaki-shi,
Kanagawa 212-0031, Japan

Representant i EU:

Pioneer Europe NV

Haven 1087, Keetberglaan 1,
9120 Melsele, Belgium
<http://www.pioneer.eu>



English:

Hereby, Pioneer, declares that this AVIC-F220 is in compliance with the essential requirements and other relevant provisions of Directive 1999/5/EC.

Suomi:

Pioneer vakuuttaa täten että AVIC-F220 tyyppinen laite on direktiivin 1999/5/EY oleellisten vaatimusten ja sitä koskevien direktiivin muiden ehtojen mukainen.

Nederlands:

Hierbij verklaart Pioneer dat het toestel AVIC-F220 in overeenstemming is met de essentiële eisen en de andere relevante bepalingen van richtlijn 1999/5/EG

Français:

Par la présente Pioneer déclare que l'appareil AVIC-F220 est conforme aux exigences essentielles et aux autres dispositions pertinentes de la directive 1999/5/CE

Svenska:

Härmed intygar Pioneer att denna AVIC-F220 står i överensstämmelse med de väsentliga egenskapskrav och övriga relevanta bestämmelser som framgår av direktiv 1999/5/EG.

Dansk:

Undertegnede Pioneer erklærer herved, at følgende udstyr AVIC-F220 overholder de væsentlige krav og øvrige relevante krav i direktiv 1999/5/EF

Deutsch:

Hiermit erkläre Pioneer, dass sich dieses AVIC-F220 in Übereinstimmung mit den grundlegenden Anforderungen und den anderen relevanten Vorschriften der Richtlinie 1999/5/EG befindet". (BMW)

Ελληνικά:

ΜΕ ΤΗΝ ΠΑΡΟΥΣΑ Pioneer ΔΗΛΩΝΕΙ ΟΤΙ AVIC-F220 ΣΥΜΜΟΡΦΩΝΕΤΑΙ ΠΡΟΣ ΤΙΣ ΟΥΣΙΩΔΕΙΣ ΑΠΑΙΤΗΣΕΙΣ ΚΑΙ ΤΙΣ ΛΟΙΠΕΣ ΣΧΕΤΙΚΕΣ ΔΙΑΤΑΞΕΙΣ ΤΗΣ ΟΔΗΓΙΑΣ 1999/5/ΕΚ

Italiano:

Con la presente Pioneer dichiara che questo AVIC-F220 è conforme ai requisiti essenziali ed alle altre disposizioni pertinenti stabilite dalla direttiva 1999/5/CE.

Español:

Por medio de la presente Pioneer declara que el AVIC-F220 cumple con los requisitos esenciales y cualesquiera otras disposiciones aplicables o exigibles de la Directiva 1999/5/CE

Português:

Pioneer declara que este AVIC-F220 está conforme com os requisitos essenciais e outras disposições da Directiva 1999/5/CE.

Čeština:

Pioneer tímto prohlašuje, že tento AVIC-F220 je ve shodě se základními požadavky a dalšími příslušnými ustanoveními směrnice 1999/5/ES

Eesti:

Käesolevaga kinnitab Pioneer seadme AVIC-F220 vastavust direktiivi 1999/5/EÜ põhinõuetele ja nimetatud direktiivist tulenevatele teistele asjakohastele sätetele.

Magyar:

Alulírott, Pioneer nyilatkozom, hogy a AVIC-F220 megfelel a vonatkozó alapvető követelményeknek és az 1999/5/EC irányelv egyéb előírásainak.

Latviešu valoda:

Ar šo Pioneer deklarē, ka AVIC-F220 atbilst Direktīvas 1999/5/EK būtiskajām prasībām un citiem ar to saistītajiem noteikumiem.

Lietuvių kalba:

Šiuo Pioneer deklaruoją, kad šis AVIC-F220 atitinka esminius reikalavimus ir kitas 1999/5/EB Direktyvos nuostatas.

Malti:

Hawnhekk, Pioneer jiddikjara li dan AVIC-F220 jikkonforma mal-htigijiet essenzjali u ma provvedimenti oħrajn rilevanti li hemm fid-direttiva 1999/5/EC

Slovenščina:

Pioneer týmto vyhlasuje, že AVIC-F220 splňa základné požiadavky a všetky príslušné ustanovenia Smernice 1999/5/ES.

Slovenščina:

Pioneer izjavlja, da je ta AVIC-F220 v skladu z bistvenimi zahtevami in ostalimi relevantnimi določili direktive 1999/5/ES.

Română:

Prin prezenta, Pioneer declara ca acest AVIC-F220 este in conformitate cu cerintele esentiale si alte prevederi ale Directivei 1999/5/EU.

български:

С настоящето, Pioneer декларира, че този AVIC-F220 отговаря на основните изисквания и други съответни постановления на Директива 1999/5/ЕС.

Polski:

Niniejszym Pioneer oświadcza, że AVIC-F220 jest zgodny z zasadniczymi wymogami oraz pozostałymi stosownymi postanowieniami Dyrektywy 1999/5/EC

Norsk:

Pioneer erklærer herved at utstyret AVIC-F220 er i samsvar med de grunnleggende krav og øvrige relevante krav i direktiv 1999/5/EF.

Íslenska:

Hér með lýsir Pioneer yfir því að AVIC-F220 er í samræmi við grunnkröfur og aðrar kröfur, sem gerðar eru í tilskipun 1999/5/EC

7-Zip

License for use and distribution

7-Zip Copyright (C) 1999-2007 Igor Pavlov.

Licenses for files are:

- 1) 7z.dll: GNU LGPL + unRAR restriction
- 2) All other files: GNU LGPL

The GNU LGPL + unRAR restriction means that you must follow both GNU LGPL rules and unRAR restriction rules.

Note:

- You can use 7-Zip on any computer, including a computer in a commercial organization. You don't need to register or pay for 7-Zip.

GNU LGPL information

This library is free software; you can redistribute it and/or modify it under the terms of the GNU Lesser General Public License as published by the Free Software Foundation; either version 2.1 of the License, or (at your option) any later version.

This library is distributed in the hope that it will be useful, but WITHOUT ANY WARRANTY; without even the implied warranty of MERCHANTABILITY or FITNESS FOR A PARTICULAR PURPOSE. See the GNU Lesser General Public License for more details.

You should have received a copy of the GNU Lesser General Public License along with this library; if not, write to the Free Software Foundation, Inc., 59 Temple Place, Suite 330, Boston, MA 02111-1307 USA

unRAR restriction

The decompression engine for RAR archives was developed using source code of unRAR program. All copyrights to original unRAR code are owned by Alexander Roshal.

The license for original unRAR code has the following restriction:

The unRAR sources cannot be used to re-create the RAR compression algorithm, which is proprietary. Distribution of modified unRAR sources in separate form or as a part of other software is permitted, provided that it is clearly stated in the documentation and source comments that the code may not be used to develop a RAR (WinRAR) compatible archiver.

GNU LESSER GENERAL PUBLIC LICENSE

Version 2.1, February 1999

Copyright (C) 1991, 1999 Free Software Foundation, Inc.
59 Temple Place, Suite 330, Boston, MA 02111-1307 USA

Everyone is permitted to copy and distribute

verbatim copies of this license document, but changing it is not allowed.

[This is the first released version of the Lesser GPL. It also counts as the successor of the GNU Library Public License, version 2, hence the version number 2.1.]

Preamble

The licenses for most software are designed to take away your freedom to share and change it. By contrast, the GNU General Public Licenses are intended to guarantee your freedom to share and change free software--to make sure the software is free for all its users.

This license, the Lesser General Public License, applies to some specially designated software packages--typically libraries--of the Free Software Foundation and other authors who decide to use it. You can use it too, but we suggest you first think carefully about whether this license or the ordinary General Public License is the better strategy to use in any particular case, based on the explanations below.

When we speak of free software, we are referring to freedom of use, not price. Our General Public Licenses are designed to make sure that you have the freedom to distribute copies of free software (and charge for this service if you wish); that you receive source code or can get it if you want it; that you can change the software and use pieces of it in new free programs; and that you are informed that you can do these things.

To protect your rights, we need to make restrictions that forbid distributors to deny you these rights or to ask you to surrender these rights. These restrictions translate to certain responsibilities for you if you distribute copies of the library or if you modify it.

For example, if you distribute copies of the library, whether gratis or for a fee, you must give the recipients all the rights that we gave you. You must make sure that they, too, receive or can get the source code. If you link other code with the library, you must provide complete object files to the recipients, so that they can relink them with the library after making changes to the library and recompiling it. And you must show them these terms so they know their rights.

We protect your rights with a two-step method: (1) we copyright the library, and (2) we offer you this license, which gives you legal permission to copy, distribute and/or modify the library.

To protect each distributor, we want to make it very clear that there is no warranty for the free library. Also, if the library is modified by someone else and passed on, the recipients should know that what they have is not the original version, so that the original author's reputation will not be affected by problems that might be introduced by others.

Finally, software patents pose a constant threat to the existence of any free program. We wish to make sure that a company cannot effectively restrict the users of a free program by obtaining a restrictive license from a patent holder. Therefore, we insist that any patent license obtained for a version of the library must be consistent with the full freedom of use specified in this license.

Most GNU software, including some libraries, is covered by the ordinary GNU General Public License. This license, the GNU Lesser General Public License, applies to certain designated libraries, and is quite different from the ordinary General Public License. We use this license for certain libraries in order to permit linking those libraries into non-free programs.

When a program is linked with a library, whether statically or using a shared library, the combination of the two is legally speaking a combined work, a derivative of the original library. The ordinary General Public License therefore permits such linking only if the entire combination fits its criteria of freedom. The Lesser General Public License permits more lax criteria for linking other code with the library.

We call this license the “Lesser” General Public License because it does Less to protect the user’s freedom than the ordinary General Public License. It also provides other free software developers Less of an advantage over competing non-free programs. These disadvantages are the reason we use the ordinary General Public License for many libraries. However, the Lesser license provides advantages in certain special circumstances.

For example, on rare occasions, there may be a special need to encourage the widest possible use of a certain library, so that it becomes a de-facto standard. To achieve this, non-free programs must be allowed to use the library. A more frequent case is that a free library does the same job as widely used non-free libraries. In this case, there is little to gain by limiting the free library to free software only, so we use the Lesser General Public License.

In other cases, permission to use a particular library in non-free programs enables a greater number of people to use a large body of free software. For example, permission to use the GNU C Library in non-free programs enables many more people to use the whole GNU operating system, as well as its variant, the GNU/Linux operating system.

Although the Lesser General Public License is Less protective of the users’ freedom, it does ensure that the user of a program that is linked with the Library has the freedom and the wherewithal to run that program using a modified version of the Library.

The precise terms and conditions for copying, distribution and modification follow. Pay close attention to the difference between a “work based on the library” and a “work that uses the library”. The former contains code derived from the library,

whereas the latter must be combined with the library in order to run.

GNU LESSER GENERAL PUBLIC LICENSE

TERMS AND CONDITIONS FOR COPYING, DISTRIBUTION AND MODIFICATION

0. This License Agreement applies to any software library or other program which contains a notice placed by the copyright holder or other authorized party saying it may be distributed under the terms of this Lesser General Public License (also called “this License”).

Each licensee is addressed as “you”.

A “library” means a collection of software functions and/or data prepared so as to be conveniently linked with application programs (which use some of those functions and data) to form executables.

The “Library”, below, refers to any such software library or work which has been distributed under these terms. A “work based on the Library” means either the Library or any derivative work under copyright law: that is to say, a work containing the Library or a portion of it, either verbatim or with modifications and/or translated straightforwardly into another language. (Hereinafter, translation is included without limitation in the term “modification”.)

“Source code” for a work means the preferred form of the work for making modifications to it. For a library, complete source code means all the source code for all modules it contains, plus any associated interface definition files, plus the scripts used to control compilation and installation of the library.

Activities other than copying, distribution and modification are not covered by this License; they are outside its scope. The act of running a program using the Library is not restricted, and output from such a program is covered only if its contents constitute a work based on the Library (independent of the use of the Library in a tool for writing it). Whether that is true depends on what the Library does and what the program that uses the Library does.

1. You may copy and distribute verbatim copies of the Library’s complete source code as you receive it, in any medium, provided that you conspicuously and appropriately publish on each copy an appropriate copyright notice and disclaimer of warranty; keep intact all the notices that refer to this License and to the absence of any warranty; and distribute a copy of this License along with the Library.

You may charge a fee for the physical act of transferring a copy, and you may at your option offer warranty protection in exchange for a fee.

2. You may modify your copy or copies of the Library or any portion of it, thus forming a work based on the Library, and copy and distribute such modifications

or work under the terms of Section 1 above, provided that you also meet all of these conditions:

- a) The modified work must itself be a software library.
- b) You must cause the files modified to carry prominent notices stating that you changed the files and the date of any change.
- c) You must cause the whole of the work to be licensed at no charge to all third parties under the terms of this License.
- d) If a facility in the modified Library refers to a function or a table of data to be supplied by an application program that uses the facility, other than as an argument passed when the facility is invoked, then you must make a good faith effort to ensure that, in the event an application does not supply such function or table, the facility still operates, and performs whatever part of its purpose remains meaningful.

(For example, a function in a library to compute square roots has a purpose that is entirely well-defined independent of the application.

Therefore, Subsection 2d requires that any application-supplied function or table used by this function must be optional: if the application does not supply it, the square root function must still compute square roots.)

These requirements apply to the modified work as a whole. If identifiable sections of that work are not derived from the Library, and can be reasonably considered independent and separate works in themselves, then this License, and its terms, do not apply to those sections when you distribute them as separate works. But when you distribute the same sections as part of a whole which is a work based on the Library, the distribution of the whole must be on the terms of this License, whose permissions for other licensees extend to the entire whole, and thus to each and every part regardless of who wrote it.

Thus, it is not the intent of this section to claim rights or contest your rights to work written entirely by you; rather, the intent is to exercise the right to control the distribution of derivative or collective works based on the Library.

In addition, mere aggregation of another work not based on the Library with the Library (or with a work based on the Library) on a volume of a storage or distribution medium does not bring the other work under the scope of this License.

3. You may opt to apply the terms of the ordinary GNU General Public License instead of this License to a given copy of the Library. To do this, you must alter all the notices that refer to this License, so that they refer to the ordinary GNU General Public License, version 2, instead of to this License. (If a newer version than version 2 of the ordinary GNU General Public License has appeared, then you can specify that version instead if you wish.) Do not make any other change in these notices.

Once this change is made in a given copy, it is irreversible for that copy, so the ordinary GNU General Public License applies to all subsequent copies and derivative works made from that copy.

This option is useful when you wish to copy part of the code of the Library into a program that is not a library.

4. You may copy and distribute the Library (or a portion or derivative of it, under Section 2) in object code or executable form under the terms of Sections 1 and 2 above provided that you accompany it with the complete corresponding machine-readable source code, which must be distributed under the terms of Sections 1 and 2 above on a medium customarily used for software interchange.

If distribution of object code is made by offering access to copy from a designated place, then offering equivalent access to copy the source code from the same place satisfies the requirement to distribute the source code, even though third parties are not compelled to copy the source along with the object code.

5. A program that contains no derivative of any portion of the Library, but is designed to work with the Library by being compiled or linked with it, is called a “work that uses the Library”. Such a work, in isolation, is not a derivative work of the Library, and therefore falls outside the scope of this License.

However, linking a “work that uses the Library” with the Library creates an executable that is a derivative of the Library (because it contains portions of the Library), rather than a “work that uses the library”. The executable is therefore covered by this License. Section 6 states terms for distribution of such executables.

When a “work that uses the Library” uses material from a header file that is part of the Library, the object code for the work may be a derivative work of the Library even though the source code is not.

Whether this is true is especially significant if the work can be linked without the Library, or if the work is itself a library. The threshold for this to be true is not precisely defined by law.

If such an object file uses only numerical parameters, data structure layouts and accessors, and small macros and small inline functions (ten lines or less in length), then the use of the object file is unrestricted, regardless of whether it is legally a derivative work. (Executables containing this object code plus portions of the Library will still fall under Section 6.)

Otherwise, if the work is a derivative of the Library, you may distribute the object code for the work under the terms of Section 6.

Any executables containing that work also fall under Section 6, whether or not they are linked directly with the Library itself.

6. As an exception to the Sections above, you may also combine or link a “work that uses the Library”

with the Library to produce a work containing portions of the Library, and distribute that work under terms of your choice, provided that the terms permit modification of the work for the customer's own use and reverse engineering for debugging such modifications.

You must give prominent notice with each copy of the work that the Library is used in it and that the Library and its use are covered by this License. You must supply a copy of this License. If the work during execution displays copyright notices, you must include the copyright notice for the Library among them, as well as a reference directing the user to the copy of this License. Also, you must do one of these things:

- a) Accompany the work with the complete corresponding machine-readable source code for the Library including whatever changes were used in the work (which must be distributed under Sections 1 and 2 above); and, if the work is an executable linked with the Library, with the complete machine-readable "work that uses the Library", as object code and/or source code, so that the user can modify the Library and then relink to produce a modified executable containing the modified Library. (It is understood that the user who changes the contents of definitions files in the Library will not necessarily be able to recompile the application to use the modified definitions.)
- b) Use a suitable shared library mechanism for linking with the Library. A suitable mechanism is one that (1) uses at run time a copy of the library already present on the user's computer system, rather than copying library functions into the executable, and (2) will operate properly with a modified version of the library, if the user installs one, as long as the modified version is interface-compatible with the version that the work was made with.
- c) Accompany the work with a written offer, valid for at least three years, to give the same user the materials specified in Subsection 6a, above, for a charge no more than the cost of performing this distribution.
- d) If distribution of the work is made by offering access to copy from a designated place, offer equivalent access to copy the above specified materials from the same place.
- e) Verify that the user has already received a copy of these materials or that you have already sent this user a copy.

For an executable, the required form of the "work that uses the Library" must include any data and utility programs needed for reproducing the executable from it. However, as a special exception, the materials to be distributed need not include anything that is normally distributed (in either source or binary form) with the major components (compiler, kernel, and so on) of the operating system on which

the executable runs, unless that component itself accompanies the executable.

It may happen that this requirement contradicts the license restrictions of other proprietary libraries that do not normally accompany the operating system. Such a contradiction means you cannot use both them and the Library together in an executable that you distribute.

7. You may place library facilities that are a work based on the Library side-by-side in a single library together with other library facilities not covered by this License, and distribute such a combined library, provided that the separate distribution of the work based on the Library and of the other library facilities is otherwise permitted, and provided that you do these two things:

- a) Accompany the combined library with a copy of the same work based on the Library, uncombined with any other library facilities. This must be distributed under the terms of the Sections above.
- b) Give prominent notice with the combined library of the fact that part of it is a work based on the Library, and explaining where to find the accompanying uncombined form of the same work.

8. You may not copy, modify, sublicense, link with, or distribute the Library except as expressly provided under this License. Any attempt otherwise to copy, modify, sublicense, link with, or distribute the Library is void, and will automatically terminate your rights under this License. However, parties who have received copies, or rights, from you under this License will not have their licenses terminated so long as such parties remain in full compliance.

9. You are not required to accept this License, since you have not signed it. However, nothing else grants you permission to modify or distribute the Library or its derivative works. These actions are prohibited by law if you do not accept this License. Therefore, by modifying or distributing the Library (or any work based on the Library), you indicate your acceptance of this License to do so, and all its terms and conditions for copying, distributing or modifying the Library or works based on it.

10. Each time you redistribute the Library (or any work based on the Library), the recipient automatically receives a license from the original licensor to copy, distribute, link with or modify the Library subject to these terms and conditions. You may not impose any further restrictions on the recipients' exercise of the rights granted herein. You are not responsible for enforcing compliance by third parties with this License.

11. If, as a consequence of a court judgment or allegation of patent infringement or for any other reason (not limited to patent issues), conditions are imposed on you (whether by court order, agreement or otherwise) that contradict the conditions of this License, they do not excuse you from the conditions of this License. If you cannot distribute so as to

satisfy simultaneously your obligations under this License and any other pertinent obligations, then as a consequence you may not distribute the Library at all. For example, if a patent license would not permit royalty-free redistribution of the Library by all those who receive copies directly or indirectly through you, then the only way you could satisfy both it and this License would be to refrain entirely from distribution of the Library.

If any portion of this section is held invalid or unenforceable under any particular circumstance, the balance of the section is intended to apply, and the section as a whole is intended to apply in other circumstances.

It is not the purpose of this section to induce you to infringe any patents or other property right claims or to contest validity of any such claims; this section has the sole purpose of protecting the integrity of the free software distribution system which is implemented by public license practices. Many people have made generous contributions to the wide range of software distributed through that system in reliance on consistent application of that system; it is up to the author/donor to decide if he or she is willing to distribute software through any other system and a licensee cannot impose that choice.

This section is intended to make thoroughly clear what is believed to be a consequence of the rest of this License.

12. If the distribution and/or use of the Library is restricted in certain countries either by patents or by copyrighted interfaces, the original copyright holder who places the Library under this License may add an explicit geographical distribution limitation excluding those countries, so that distribution is permitted only in or among countries not thus excluded. In such case, this License incorporates the limitation as if written in the body of this License.

13. The Free Software Foundation may publish revised and/or new versions of the Lesser General Public License from time to time. Such new versions will be similar in spirit to the present version, but may differ in detail to address new problems or concerns.

Each version is given a distinguishing version number. If the Library specifies a version number of this License which applies to it and “any later version”, you have the option of following the terms and conditions either of that version or of any later version published by the Free Software Foundation. If the Library does not specify a license version number, you may choose any version ever published by the Free Software Foundation.

14. If you wish to incorporate parts of the Library into other free programs whose distribution conditions are incompatible with these, write to the author to ask for permission. For software which is copyrighted by the Free Software Foundation, write to the Free Software Foundation; we sometimes make exceptions for this. Our decision will be guided by the two goals of preserving the free status of all

derivatives of our free software and of promoting the sharing and reuse of software generally.

NO WARRANTY

15. BECAUSE THE LIBRARY IS LICENSED FREE OF CHARGE, THERE IS NO WARRANTY FOR THE LIBRARY, TO THE EXTENT PERMITTED BY APPLICABLE LAW.

EXCEPT WHEN OTHERWISE STATED IN WRITING THE COPYRIGHT HOLDERS AND/OR OTHER PARTIES PROVIDE THE LIBRARY “AS IS” WITHOUT WARRANTY OF ANY KIND, EITHER EXPRESSED OR IMPLIED, INCLUDING, BUT NOT LIMITED TO, THE IMPLIED WARRANTIES OF MERCHANTABILITY AND FITNESS FOR A PARTICULAR PURPOSE. THE ENTIRE RISK AS TO THE QUALITY AND PERFORMANCE OF THE LIBRARY IS WITH YOU. SHOULD THE LIBRARY PROVE DEFECTIVE, YOU ASSUME THE COST OF ALL NECESSARY SERVICING, REPAIR OR CORRECTION.

16. IN NO EVENT UNLESS REQUIRED BY APPLICABLE LAW OR AGREED TO IN WRITING WILL ANY COPYRIGHT HOLDER, OR ANY OTHER PARTY WHO MAY MODIFY AND/OR REDISTRIBUTE THE LIBRARY AS PERMITTED ABOVE, BE LIABLE TO YOU FOR DAMAGES, INCLUDING ANY GENERAL, SPECIAL, INCIDENTAL OR CONSEQUENTIAL DAMAGES ARISING OUT OF THE USE OR INABILITY TO USE THE LIBRARY (INCLUDING BUT NOT LIMITED TO LOSS OF DATA OR DATA BEING RENDERED INACCURATE OR LOSSES SUSTAINED BY YOU OR THIRD PARTIES OR A FAILURE OF THE LIBRARY TO OPERATE WITH ANY OTHER SOFTWARE), EVEN IF SUCH HOLDER OR OTHER PARTY HAS BEEN ADVISED OF THE POSSIBILITY OF SUCH DAMAGES.

END OF TERMS AND CONDITIONS

How to Apply These Terms to Your New Libraries

If you develop a new library, and you want it to be of the greatest possible use to the public, we recommend making it free software that everyone can redistribute and change. You can do so by permitting redistribution under these terms (or, alternatively, under the terms of the ordinary General Public License).

To apply these terms, attach the following notices to the library. It is safest to attach them to the start of each source file to most effectively convey the exclusion of warranty; and each file should have at least the “copyright” line and a pointer to where the full notice is found.

<one line to give the library's name and a brief idea of what it does.>
Copyright (C) <year> <name of author>

This library is free software; you can redistribute it and/or modify it under the terms of the GNU Lesser General Public License as published by the Free Software Foundation; either version 2.1 of the License, or (at your option) any later version.

This library is distributed in the hope that it will be useful, but WITHOUT ANY WARRANTY; without even the implied warranty of MERCHANTABILITY or FITNESS FOR A PARTICULAR PURPOSE. See the GNU Lesser General Public License for more details.

You should have received a copy of the GNU Lesser General Public License along with this library; if not, write to the Free Software Foundation, Inc., 59 Temple Place, Suite 330, Boston, MA 02111-1307 USA

Also add information on how to contact you by electronic and paper mail.

You should also get your employer (if you work as a programmer) or your school, if any, to sign a "copyright disclaimer" for the library, if necessary. Here is a sample; alter the names:

Yoyodyne, Inc., hereby disclaims all copyright interest in the library 'Frob' (a library for tweaking knobs) written by James Random Hacker.

<signature of Ty Coon>, 1 April 1990
Ty Coon, President of Vice

That's all there is to it!

7-Zip Source Notice

The software program used in this product contains 7-Zip library. 7-Zip contains the software granted permission for the usage under the terms of the GNU Lesser General Public License. A copy of appropriate source code is available at customer necessary expense for the distribution.

Please contact our Customer Support Center to obtain a copy. For more information on the GNU Lesser General Public License, visit the GNU's website at <http://www.gnu.org>.

Portions of the software in this product are copyright 1996 – 2007 The FreeType Project (www.freetype.org).

All rights reserved. Licensed under the Free- Type Project LICENSE, 2006-Jan-27. (<http://www.freetype.org/FTL.TXT>)

Tack för att du valt den här Pioneer-produkten

Läs igenom instruktionerna i den här bruksanvisningen så att du vet hur du ska använda denna modell. När du har läst bruksanvisningen bör du förvara den på en säker plats för framtida behov.

Försiktighetsåtgärder	10
Information för användare om hantering och avfallshantering av uttjänt utrustning och batterier	10
Försiktighetsåtgärder för inbyggt batteri	10
• Byte av batteri	10
• Kassering av batteri	11
Licensavtal	12
PIONEER AVIC-F220	12
BESTÄMMELSER OCH VILLKOR FÖR TELE ATLAS DATA	14
• Licensvillkor för Slut användare	14
Om databasen	19
Om datan för kartdatabasen	19
Viktiga säkerhetsföreskrifter	20
Försiktighetsåtgärder för den avtagbara enheten	21
• Ladda den avtagbara enhetens batteri	21
Eco-körning	22
Bränsleprishantering	22
Trafikinformation	22
Angiven hastighetsbegränsning	22
Ytterligare säkerhetsföreskrifter	23
Säkerhetsspärr för parkeringsbroms	23
För att undvika att batteriet laddas ur	23
Hantering av öppningen för SD-kortet	23
Hantering av USB-port (Mini-B)	23
Innan du använder systemet	24
Om problem uppstår	24
Besök vår webbplats	24
Om denna produkt	24
Medföljande CD-ROM-skiva	24

Information för användare om hantering och avfallshantering av uttjänt utrustning och batterier

(Symbol för utrustning)



Dessa symboler på produkten, förpackningen och/eller medföljande dokument betyder att uttjänta elektriska och elektroniska produkter samt batterier inte får blandas med vanligt hushållsavfall.

I enlighet med gällande miljölagstiftning ska uttjänta el- och elektronikprodukter samt batterier lämnas in på miljöstationer där dessa sorteras, behandlas och återvinns på korrekt sätt.

(Symbolexempel för batterier)



Genom att avfallshandla dessa produkter och batterier på rätt sätt bidrar du till att spara värdefulla naturresurser och förhindra negativ påverkan på människor och miljö som annars kan uppstå vid felaktig avfallshantering.

Kontakta er lokala miljömyndighet, avfallsstation eller produktens inköpsställe för mer information om insamling och återvinning av uttjänta produkter och batterier.

Dessa symboler gäller endast inom EU.

För länder utanför EU:

Om du vill kassera denna typ av produkter kontaktar du din lokala myndighet eller försäljaren för information om korrekt avfallshantering.

Försiktighetsåtgärder för inbyggt batteri

⚠ FARA

- Batterierna (batterisatsen eller de installerade batterierna) får inte utsättas för hög värme, t.ex. solljus, eld eller liknande.
- Batteriet kan explodera om bytet sker på ett felaktigt sätt. Utför inte batteribytet själv.
- Se till att du endast använder produktens inbyggda batteri. Användning av annat batteri medför fara och kan ge upphov till funktionsfel.
- Håll batteriet utom räckhåll för små barn så att de inte råkar svälja det.
- Utsätt inte den avtagbara enheten eller det inbyggda batteriet för stötar eller slag.
- Använd aldrig ett skadat eller läckande batteri.
I händelse av batteriläckage, torka den avtagbara enheten fullständigt ren och kontakta din återförsäljare eller närmaste auktoriserade Pioneer-serviceställe.

- I händelse av att den läckande batterivätskan kommer i kontakt med dina ögon ska de sköljas omgående med rikliga mängder vatten utan att ögonen gnuggas.
- Undvik att inandas ångor från läckande batterivätskan. Detta kan leda till medvetlöshet.
- Hantera ej batteriet med metallverktyg. Lagra ej batteriet med tillsammans med metallföremål.
- När du avfallshandlar uttjänta batterier, följ de offentliga förordningar och miljöbestämmelser som gäller för landet/regionen.

Byte av batteri

⚠ VARNING

Du får under inga omständigheter byta batteriet själv.

Batteriet får endast bytas av Pioneers servicetekniker.

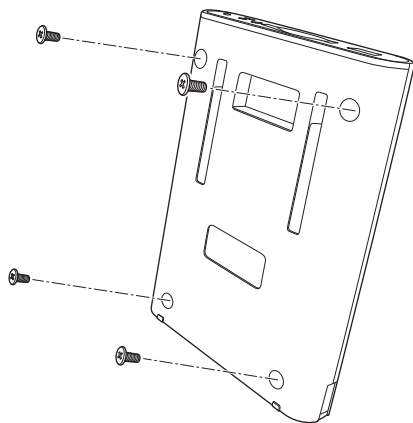
Försiktighetsåtgärder

Kassering av batteri

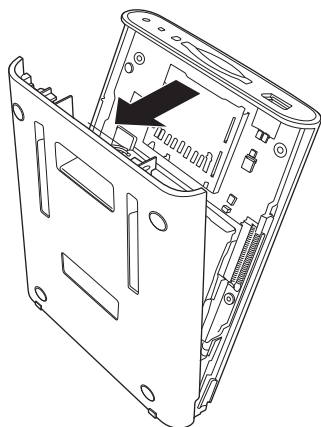
⚠ FÖRSIKTIGHET

Öppna endast täcklocket om batteriet ska kasseras.

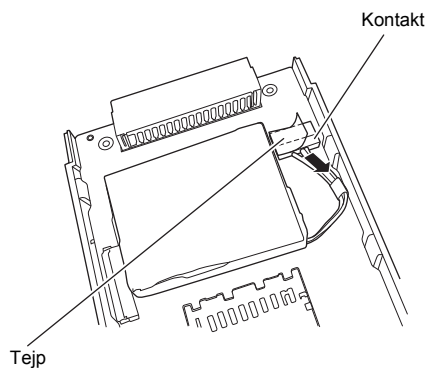
1. Avlägsna skruvarna på den avtagbara enhetens bakstycke.



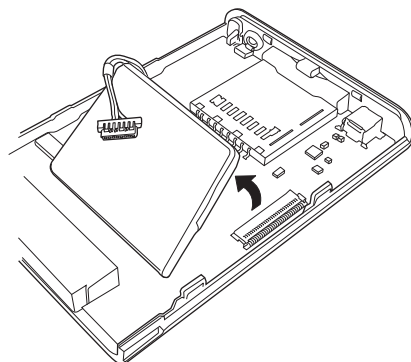
2. Öppna bakstyckets täcklock.



3. Avlägsna tejpens och koppla ifrån batterikontakten.



4. Avlägsna batteriet.



PIONEER AVIC-F220

DETTA ÄR ETT JURIDISKT AVTAL MELLAN DIG, SOM SLUTANVÄNDARE, OCH PIONEER CORP. (JAPAN) ("PIONEER"). VAR GOD LÄS OMSORGSFULLT BESTÄMMELSERNA OCH VILLKOREN I DETTA AVTAL INNAN DU ANVÄNDER DEN I PIONEER-PRODUKTERNA INSTALLERADE PROGRAMVARIAN. GENOM ATT ANVÄNDA DEN I PIONEER-PRODUKTERNA INSTALLERADE PROGRAMVARIAN, GODKÄNNER DU OCH ACCEPTERAR ATT FÖLJA VILLKOREN I DETTA AVTAL. PROGRAMVARIAN INKLUDERAR EN DATABAS VARS LICENS RÄTTIGHET BEVILJAS AV TREDJEPARTSLEVERANTÖR(ER) ("LEVERANTÖRERNA"), OCH DIN ANVÄNDNING AV DATABASEN FALLER UNDER LEVERANTÖRERNAS SEPARATA VILLKOR, SOM MEDFÖLJER DETTA AVTAL (se sidan 14). OM DU INTE GODKÄNNER SAMTLIGA DESSA VILLKOR, VAR GOD ÅTERSÄND PIONEER-PRODUKTERNA (INKLUSIVE PROGRAMVARA OCH ALLT SKRIFTLIGT MATERIAL) TILL DEN AUKTORISERADE PIONEER-ÅTERFÖRSÄLJARE DÄR DU KÖPTE DEM INOM FEM (5) DAGAR EFTER DET ATT PRODUKTERNA MOTTAGITS .

1. BEVILJANDE AV LICENS

Pioneer beviljar dig en icke-överförbar licens utan ensamrätt för att använda de i Pioneer-produkterna installerade programmen ("Programvaran") samt motsvarande dokumentation endast för ditt personliga bruk eller för internt bruk på ditt företag och endast med dessa Pioneer-produkter.

Du får inte kopiera, rekonstruera, översätta, överföra eller ändra Programvaran eller skapa härledda produkter av denna. Du får ej låna ut, hyra ut, avslöja, publicera, sälja, tilldela, leasa, licensiera i andra hand, saluföra eller på annat sätt överlåta Programvaran eller använda den på ett sätt som inte uttryckligen godkänts genom detta avtal. Du får inte härleda eller försöka härleda källkoden eller strukturen för hela eller någon del av Programvaran genom rekonstruktion, isärtagning, dekompileering eller genom någon annan metod. Du får inte använda

Programvaran för att förmedla tjänster eller någon annan verksamhet som inkluderar databehandling för andra personer eller enheter.

Pioneer och dess licensgivare förbehåller sig alla rättigheter till copyright, handelshemlighet, patent och annan märkesegen äganderätt till Programvaran. Programvaran är upphovsrättskyddad och får ej kopieras, även om den ändras eller kombineras med andra produkter. Du får ej ändra eller avlägsna någon som helst upphovsrättsmeddelande- eller äganderättsinformation i eller på Programvaran.

Du kan överföra alla dina licensrättigheter för Programvaran, här till relaterad dokumentation och en kopia av detta Licensavtal till annan part, under förutsättning att denna part läser och godkänner bestämmelserna och villkoren i detta Licensavtal.

2. FRISKRIVNINGSKLAUSUL

Programvaran och den här till hörande dokumentationen levereras till dig "I BEFINTLIGT SKICK". PIONEER OCH DESS LICENSGIVARE (för bestämmelserna 2 och 3 benämns Pioneer och dess licensgivare kollektivt som "Pioneer") GÖR OCH ERBJUDER DIG INGA SOM HELST, VARE SIG UTTRYCKLIGA ELLER UNDERFÖRSTÄDDA GARANTIER, OCH ALLA GARANTIER OM SÄLJBARHET OCH LÄMPLIGHET FÖR NÅGOT SPECIFIKT ÄNDAMÅL UTESLUTS UTTRYCKLIGEN. VISSA LÄNDER TILLÅTER EJ UNDANTAG FÖR UNDERFÖRSTÄDDA GARANTIER, VARFÖR DET OVAN NÄMNDA UNDANTAGET EV. INTE GÄLLER DIG. Programvaran är komplex och kan innehålla vissa avvikelser, defekter eller fel. Pioneer garanterar ej att Programvaran tillgodoser dina behov eller uppfyller dina förväntningar, att Programvaran fungerar fel- och avbrottsfritt eller att alla avvikelser kan eller kommer att åtgärdas. Pioneer gör ej heller några utfästelser eller tillhandahåller garantier med hänsyn till Programvarans användning eller resultaten av dess användning beträffande noggrannhet, tillförlitlighet eller övrigt.

3. ANSVARSBEGRÄNSNING

PIONEER ANSVARAR EJ UNDER NÅGRA SOM HELST FÖRHÅLLANDEN FÖR NÅGON SOM HELST SKADA, REKLAMATION ELLER FÖRLUST (INKLUSIVE OCH UTAN BEGRÄNSNING ERSÄTTNINGSKRAV, TILLFÄLLIGA, INDIREKTA, SPECIELLA, RESULTERANDE ELLER EXEMPELSKADESTÅND, FÖRLUST AV FÖRTJÄNST, FÖRSÄLJNINGSSINTÄKT, FÖRSÄLJNINGSTILLFÄLLE, UTGIFTER, INVESTERINGAR ELLER ÅTAGANDEN I NÅGON SOM HELST AFFÄRSVERKSAMHET, FÖRLUST AV EV. GOODWILL, ELLER SKADOR) SOM ORSAKAS GENOM ANVÄNDNING ELLER OFÖRMÅGA ATT ANVÄNDA PROGRAMVARAN, ÄVEN OM PIONEER HAR INFORMERATS OM, VARIT MEDVETEN OM ELLER BORDE HA VARIT MEDVETEN OM SANNOLIKHETEN AV DYLIKA SKADOR. DENNA BEGRÄNSNING GÄLLER SOM HELHET ALLA RÄTTEGÅNGSORSAKER, INKLUSIVE OCH UTAN BEGRÄNSNING KONTRAKTSBROTT, GARANTIBROTT, VÅRDSLÖSHET, STRIKT ANSVAR, FALSK FRAMSTÄLLNING OCH ANDRA KRÄNKNINGAR. OM PIONEERS FRISKRIVNINGSKLAUSUL ELLER ANSVARSBEGRÄNSNING I DETTA AVTAL BEDÖMS, ELLER AV NÅGON ANLEDNING ANSES, VARA OGENOMFÖRBAR ELLER ICKE TILLÄMPBAR, GODKÄNNER DU ATT PIONEERS ANSVAR ICKE SKALL ÖVERSTIGA FEMTIO PROCENT (50%) AV DET PRIS DU HAR BETALAT FÖR DEN HÄRI INGÅENDE PIONEER-PRODUKTEN.

Vissa länder tillåter ej undantag eller begränsning av ansvar för tillfälliga eller resulterande skador, vilket betyder att ovan nämnd begränsning eller undantag ev. inte gäller dig. Denna friskrivningsklausul och ansvarsbegränsning skall ej vara tillämplig i den omfattning att någon klausul i denna garanti är i strid med nationell eller lokal lagstiftning.

4. FÖRSÄKRAN MED HÄNSYN TILL EXPORTLAGAR

Härmed godkänner och försäkrar du att vare sig Programvaran eller några andra tekniska

data som erhållits från Pioneer, eller någon direkt produkt härav, skall exporteras utanför det land eller distrikt ("Landet") som styrs av den regering ("Regeringen") inom vars jurisdiktion du befinner dig, såvida detta ej tillåts av Regeringens lagar och förordningar. Om du har anskaffat Programvaran på ett behörigt sätt utanför Landet, samtycker du till att inte återexportera Programvaran eller några som helst från Pioneer erhållna data eller någon direkt produkt härav, med undantag för vad som tillåts av Regeringens lagar och förordningar samt lagarna och förordningarna inom den jurisdiktion där du har anskaffat Programvaran.

5. UPPSÄGNING

Detta Avtal förblir i kraft tills det upphör genom uppsägning. Du kan när som helst säga upp Avtalet genom att förstöra Programvaran. Avtalet sägs även upp när du inte iakttar alla bestämmelser och villkor i detta Avtal. Efter en dylik uppsägning godkänner du att förstöra Programvaran.

6. DIVERSE

Detta är hela Avtalet mellan Pioneer och dig i detta ämne. Ingen ändring av detta Avtal skall vara giltig utan Pioneers skriftliga godkännande. Skulle någon bestämmelse i detta Avtal förklaras som ogiltig eller ogenomförbar, fortsätter detta Avtals övriga bestämmelser att gälla med full kraft och effekt.

BESTÄMMELSER OCH VILLKOR FÖR TELE ATLAS DATA

Licensvillkor för Slut användare

DETTA ÄR ETT JURIDISKT AVTAL ("AVTAL") MELLAN DIG, SOM SLUTANVÄNDARE, OCH PIONEER och dess licensgivare för dataprodukten (som ibland gemensamt benämns "Licensgivare"). GENOM ATT ANVÄNDA DIN KOPIA AV DEN LICENSIERADE DATAN, GODKÄNNER DU BESTÄMMELSERNA OCH VILLKOREN I DETTA AVTAL.

1. Beviljande av licens.

Licensgivarna beviljar dig en icke-överförbar licens utan ensamrätt, att använda kartdatan och besökspunkterna ("POI"-punkter), ägda av Tele Atlas, (tillsammans identifierad som "Informationen") som finns på dessa skivor, enbart för personlig, ej kommersiell, användning. Du får inte använda informationen för servicebyrå eller någon annan verksamhet som inkluderar databehandling för andra personer eller enheter. Du får skapa en (1) kopia av Informationen i arkiverings- eller säkerhetskopieringssyfte, men du får inte kopiera, reproducera, ändra, skapa härledda produkter, härleda strukturen av eller rekonstruera datan. Datan är begränsad till användning med PIONEER produkt(er). Informationen innehåller konfidentiell och märkesegen information och material och kan innehålla handelshemligheter. Du förbinder dig att behandla Datan med diskretion och att inte avslöja Data eller någon del därav i någon form, inklusive genom uthyrning, leasing, publicering eller genom att överlåta licensen i andra hand eller genom att överföra Datan till tredje part. Du förbjuds uttryckligen från att ladda ned digitala kartor och program som ingår i Datan och från att överföra dessa till en annan informationsbärare eller dator. Du är förbjuden att avlägsna eller dölja något tillkännagivande eller markering om upphovsrätt, varumärke eller restriktion.

2. Äganderätt.

Upphovsrätten till Datan tillhör Tele Atlas och dess Licensgivare vilka innehar all äganderätt

till Datan. Du får i Datan ej ändra, avlägsna, utplåna eller dölja någon som helst upphovsrätts- eller äganderättsinformation. Aktuell upphovsrätt anges i avsnitt 12 nedan.

3. Ansvarsbegränsning.

TELE ATLAS OCH DESS LEVERANTÖRER AVSÄGER SIG ALLT ANSVAR GENTEMOT UNDERTECKNAD FÖR INDIREKTA, RESULTERANDE SPECIELLA ELLER TILLFÄLLIGA SKADOR, INKLUSIVE FÖRLUST AV FÖRTJÄNST, KOSTNADSTÄCKNING, AVBROTT I VERKSAMHET, FÖRLUST AV AFFÄRSDATA OCH LIKANDE SOM UPPSTÅR PÅ GRUND AV AVTALSVILLKOREN, OAVSETT OM PARTEN UNDERÅTTATS OM MÖJLIGHETEN AV SÅDANA SKADOR. OAKTAT OM NÅGONTING STRIDER MOT INNEHÅLLET HÄRI AVSÄGER SIG TELE ATLAS ALLT EKONOMISKT ANSVAR GENTEMOT UNDERTECKNAD OAVSETT ORSAK (OAVSETT VIDTAGEN ÅTGÄRD) UNDER ELLER RELATERAT TILL DETTA AVTAL.

4. Friskrivningsklausul.

DATAN TILLHANDAHÅLLS I "BEFINTLIGT SKICK" OCH PIONEER, DESS LICENSGIVARE OCH LICENSIERADE DISTRIBUTÖRER OCH LEVERANTÖRER (BENÄMNS KOLLEKTIVT SOM, "LEVERANTÖRER") FRISKRIVER SIG FRÅN SAMTLIGA GARANTIER, UTTRYCKLIGA ELLER UNDERFÖRSTÄDDA, INKLUSIVE MEN UTAN BEGRÄNSNING TILL, UNDERFÖRSTÄDDA GARANTIER OM KOMMERSIELL GÅNGBARHET, LÄMPLIGHET FÖR VISST ÄNDAMÅL, RÄTTIGHET OCH FRÅNVARO AV INTRÅNG. PIONEER, DESS LICENSGIVARE OCH LEVERANTÖRER GARANTERAR INTE ATT INFORMATIONEN UPPFYLLER DINA KRAV ELLER ATT ANVÄNDNINGEN AV INFORMATIONEN KOMMER ATT FUNGERA AVBROTTS- OCH FELFRITT. INGEN MUNTLLIG ELLER SKRIFTLIG RÅDGIVNING FRÅN PIONEER, DESS LICENSGIVARE, LEVERANTÖRER ELLER NÅGON AV DERAS RESPEKTIVE ANSTÄLLDA UTGÖR NÅGON GARANTI

ELLER ÖKAR PÅ NÅGOT SÄTT PIONEERS, DESS LICENSGIVARES ELLER LEVERANTÖRERS ANSVAR OCH DU HAR INTE RÄTT ATT FÖRLITA DIG PÅ SÅDAN RÅDGIVNING ELLER INFORMATION. DENNA FRISKRIVNINGSKLAUSUL ÄR ETT GRUNDLÄGGANDE VILLKOR FÖR DETTA AVTAL OCH DU MÅSTE ACCEPTERA INFORMATIONEN PÅ DENNA GRUNDVAL.

5. Uppsägning.

Detta Avtal kommer omedelbart och automatiskt att sägas upp, utan föregående meddelande, om du bryter mot någon bestämmelse i detta Avtal. Du accepterar att du måste returnera Informationen (inklusive all dokumentation och alla kopior) till Pioneer och dess leverantörer, ifall Avtalet sägs upp.

6. Skadeslöshet.

Du samtycker till att gottgöra, försvara och hålla PIONEER, dess Licensgivare och dess leverantörer (inklusive deras respektive licensgivare, leverantörer, rättsinnehavare, dotterföretag, filialer, samt respektive tjänstemän, chefer, anställda, aktieägare, agenter och representanter) fria från och skadeslösa för allt slag av ansvar, förlust, skada (inklusive dödliga personskador), efterfrågan, rättegång, kostnad, utgift eller fördran av vilken som helst art och natur, inklusive, men utan begränsning till juristarvoden, som härrör sig från eller uppstår i samband med din användning eller ditt innehav av Informationen.

7. Övriga bestämmelser, endast avseende information om Storbritannien och Nordirland.

- 1 Slut användaren är förbjuden att avlägsna eller dölja något tillkännagivande eller markering om upphovsrätt, varumärke eller restriktion tillhörande Ordnance Survey.
- 2 Alla garantianspråk ställda till Ordnance Survey avisas, oavsett om de är uttryckliga eller underförstådda, detta inkluderar men begränsas ej till, underförstådda garantier för intrång i upphovsrätt, säljbarhet, noggrannhet, tillförlitlighet och lämplighet för ett specifikt ändamål. Slut användaren godtar och är införstådd med att Ordnance Survey ej lämnar några garantier eller utfästelser om att den data som tillhandahålls av Tele

Atlas® MultiNet® över Storbritannien är fullständiga, korrekta och/eller aktuella. Slut användaren är införstådd i att detta utgör en viktig del av Användarvillkoren och godtar att den data som tillhandahålls av Tele Atlas® MultiNet® över Storbritannien sker under dessa villkor. Datan omfattar eventuellt information från licensgivarna, inklusive Ordnance Survey.

- 3 Allt ansvar som utkrävs av Ordnance Survey avisas med avseende på den data som tillhandahålls av Tele Atlas® MultiNet® över Storbritannien.
- 4 Det är förbjudet att använda data tillhandahållen av Tele Atlas® MultiNet® över Storbritannien i någon tryckt eller publicerad form som resulterar i att mervärdesprodukter distribueras gratis eller säljs till allmänheten utan tillstånd från Ordnance Survey.
- 5 Ordnance Survey skall hållas skadeslösa vid ersättningsanspråk, rättsliga krav eller åtgärder, oberoende av orsaken till dessa, då anspråk åberopas med anledning av förluster, kostnader, utgifter eller personskador (inklusive personskador med dödlig utgång) som är ett resultat av att datan tillhandahållen av Tele Atlas® MultiNet® över Storbritannien använts.
- 6 Slut användaren accepterar sin skyldighet att på begäran, tillhandahålla Ordnance Survey med information om vilka produkter och/eller tjänster som innehåller och/eller härleds från de Licensierade Tele Atlas produkterna de tillverkar.
- 7 Slut användaren har ett skadeståndsansvar gentemot Ordnance Survey i händelse av att de ovan nämnda avtalsvillkoren bryts. Slut användaren accepterar sin skyldighet att på begäran tillhandahålla Ordnance Survey med information om vilka produkter och/eller tjänster som innehåller och/eller härleds från de Licensierade Produkterna de tillverkar.

Avseende revisioner

Tele Atlas rättigheter, så som anges i detta Avtal, gäller även för Ordnance Surveys revisionsföretare och/eller National Audit Office i händelse av att UK data tillhandahålls. Eventuellt ersättningsbelopp är föremål för en ränta på två procentenheter (2%) över aktuell basränta som fastställs av National

Westminster Bank plc, räknat från det datum ersättningsbeloppet fastställdes tills det datum beloppet betalats till fullo (före eller efter det att dom fallit).

Ordinance Survey och/eller National Audit Office äger rätt att revisionsgranska Slutanvändarens bokföring eller bankkonton direkt, enligt exakt samma villkor som Licenstagaren är skyldig att göra så enligt detta Avtal så att Ordinance Survey äger denna rätt till revision avseende leverantör av produkter och/eller tjänster som innehåller och/eller kan härledas från de Licensierade Tele Atlas produkterna.

I händelse av avtalsbrott godkänner Licenstagaren att berörda Slutanvändare och Licenstagare har ett solidariskt ansvar inför Ordinance Survey.

8. Övriga bestämmelser, endast avseende data för Norge.

Det är förbjudet för Slutanvändaren att använda data tillhandahållen av Tele Atlas® MultiNet® över Norge för att skapa tryckta eller digitala kommersiella kartor för allmänt bruk, vilka liknar de grundläggande nationella produkterna från Norska Statens kartverk.

9. Tilläggsbestämmelser för Tele Atlas® Premium Points of Interest ("POI"). Med avseende på POI licensierade Tele Atlas Produkter:

(Följande bestämmelser gäller endast produkter som innehåller Tele Atlas® Premium Points of Interest.)

Slutanvändaren förbinder sig specifikt att inte:

(a) med undantag av det som specifikt anges i avtalet, licensiera eller på annat sätt tillhandahålla POI licensierade Tele Atlas Produkter till tredje part i syfte att vidareförsälja, vidarelicensiera, vidaredistribuera eller i syfte att genom kompilering skapa mervärde, verifiera, komplettera, kompilera e-postlistor, skapa geografiska, handels-, företags-, annons-, reklamregister som säljs, hyrs ut, publiceras, tillhandahålls eller på annat sätt görs tillgängliga för tredje part.

(b) göra POI licensierade Tele Atlas Produkter tillgängliga i en öppen online-miljö som ej har en lämplig säkerhetsnivå och/eller kryptering som förhindrar otillåten åtkomst till POI licensierade Tele Atlas Produkter och

(c) använda POI licensierade Tele Atlas Produkter helt eller delvis som en faktor för att (i) fastställa en individs kreditvärdighet eller försäkringsrisk, (ii) teckna en individuell försäkring, (iii) utvärdera en individ vid anställning eller befordran, omplacering eller fortsatt anställning, (iv) fastställa en individs behörighet vid ansökan av certifikat licens, tillstånd, etc. eller rättighet till andra förmåner, bidrag, etc. som beviljats av myndighet eller (v) erbjuda rådgivning till avlidna personers efterlevande.

(d) skapa e-post- eller telefonförsäljningslistor om inte detta godkänts i detta Avtal.

(e) Slutanvändaren säkerställer att POI licensierade Tele Atlas Produkter online på Internet skyddas av brandväggar och att ett kontrollsystem implementeras i syfte att (i) skydda POI licensierade Tele Atlas Produkternas integritet, (ii) reglera åtkomsten till POI licensierade Tele Atlas Produkterna, (iii) förhindra otillåten användning och kopiering av de POI licensierade Tele Atlas Produkterna.

10. Tilläggsbestämmelser för Tele Atlas® varumärkessymbol för Tele Atlas licensierad Produkt ("Varumärkessymbolen licensierad Tele Atlas produkt"):

(Följande bestämmelser gäller endast produkter som innehåller varumärkessymbol för licensierad Tele Atlas®-produkt.)

a Slutanvändarens bruk av varumärkessymbolen licensierad Tele Atlas produkt och någon del därav, får endast användas i syfte att ge produkten och/eller den spatiala vektordatan, tillhandahållen eller framtagen av Tele Atlas, ett mervärde. Oaktat om någonting står i strid med innehållet häri eller i någon bilaga eller annorstädes, får Slutanvändaren under inga förhållanden använda varumärkessymbolen för licensierad Tele Atlas produkt eller del därav, i anslutning till eller tillsammans med spatiala gatuvektordata tillhandahållen eller framtagen av någon annan part än Tele Atlas. Slutanvändaren får endast använda symboler, varumärken, logotyper, eller andra funktioner inom (och ej separerade från) kartdatan. Dessutom får Slutanvändaren inte modifiera eller på

annat sätt ändra färg, form, storlek och orientering på varumärkessymbolen för licensierad Tele Atlas produkt, så som den tillhandahållits Slut användaren, utan att ha erhållit skriftligt tillstånd från Tele Atlas.

- b Licenstagaren godtar att användning av varumärkessymbolen för licensierad Tele Atlas produkt regleras av bestämmelserna och villkoren i detta Avtal, samt att det kan förekomma tredje parts bestämmelser, villkor och begränsningar för vilka användningen av varumärkessymbolen för licensierad Tele Atlas produkt tillkännages av Licenstagaren i aktuell dokumentation som medföljer tillämplig mervärdesprodukt.
- c Om Slut användaren ingår ett handelsavtal avseende annonsering, betald annonsplacering, marknadsföring eller liknande betald varumärkesexponerad marknadsföring med någon ägare (eller dess representant) till de varumärkessymboler som tillhandahålls med varumärkessymbolen för licensierad Tele Atlas produkt, ska Tele Atlas erhålla ett minimum av tjugofem procent (25%) av eventuella intäkter som kan direkt härledas till en sådan affärsöverenskommelse om inget annat avtalats skriftligt i förväg av båda parter.

11. Tilläggsbestämmelser avseende Tele Atlas® 3D-landmärkeslicensierad Tele Atlas Produkt ("3D-landmärken"):

(Följande bestämmelser gäller endast produkter som innehåller Tele Atlas® 3D-landmärkeslicensierad Tele Atlas Produkt.)

Licenstagaren godtar att så snart det är praktiskt möjligt, men ej senare än den första nyttgåvan av mervärdesprodukten, efter det att Licenstagarens mottagit 3D-landmärket, bifoga eventuella upphovsrättsmeddelanden som relaterar till visningen av sådana landmärken till varje mervärdesprodukt samt i mervärdesproduktens "rutan om". Oaktat det föregående, har Tele Atlas egen beslutsrätt att ta bort specifika 3D-landmärken i framtida utgåvor av de licensierade Tele Atlas produkterna. I händelse av detta ska licenstagaren ta bort dessa 3D-landmärken från mervärdesprodukterna så snart det är praktiskt möjligt, men ej senare än mervärdesproduktens första nyttgåva efter det att Licenstagaren mottagit uppdateringen

för den licensierade Tele Atlas produkten. Tele Atlas avsäger sig allt ansvar för eventuella skador, kostnader eller utgifter som uppstår för Licenstagaren, då ett för honom relaterat 3D-landmärke tas bort av Tele Atlas från den licensierade Tele Atlas produkten, eller att 3D-landmärket inte tas bort från mervärdesprodukten av Licenstagaren.

12. Upphovsrättsmeddelanden.

Licenstagaren ska på ett tydligt sätt visa varje tillämpligt aktuellt upphovsrättsmeddelande på den licensierade Tele Atlas produktens startskärm, i koden, på lagringsmedia, på förpackning, i avsnittet "Hjälp/Om", i bruksanvisningen och på alla visade eller utskrivna kartbilder för respektive mervärdesprodukt som baseras på:

- 1 *Tele Atlas® MultiNet® EuropeMed* aktuellt datum för ikraftträdande, lyder upphovsrättsmeddelandet: "Data Source © 2009 Tele Atlas B.V."; och med tillägget, "based on":
 - a *Tele Atlas® MultiNet®-data för Österrike.* Med aktuellt datum för ikraftträdande, lyder upphovsrättsmeddelandet: "© BEV, GZ 1368/2003."
 - b *Tele Atlas® MultiNet®-data för Danmark.* Med aktuellt datum för ikraftträdande, lyder upphovsrättsmeddelandet: "© DAV, violation of these copyrights shall cause legal proceedings."
 - c *Tele Atlas® MultiNet®-data för Frankrike.* Med aktuellt datum för ikraftträdande, lyder upphovsrättsmeddelandet: "© IGN France.", "Michelin data © Michelin 2009"
 - d *Tele Atlas® MultiNet®-data för Storbritannien (Nordirland undantaget).* Med aktuellt datum för ikraftträdande, gäller följande: I denna produkt ingår licensierade kartdata från Ordnance Survey med tillstånd av Controller of Her Majesty's Stationery Office. © Crown copyright och/eller databasrättigheter, 2009. Alla rättigheter förbehålls. Licens nr. 100026920.
 - e *Tele Atlas® MultiNet®-data för Nordirland.* Med aktuellt datum för ikraftträdande, lyder

upphovsrättsmeddelandet: "Ordnance Survey of Northern Ireland."

- f Tele Atlas® MultiNet®-data för Norge.
Med aktuellt datum för ikraftträdande, lyder upphovsrättsmeddelandet: "© Norwegian Mapping Authority, Public Roads Administration / © Mapsolutions."
- g Tele Atlas® MultiNet®-data för Ryssland:
Med aktuellt datum för ikraftträdande, lyder upphovsrättsmeddelandet: "© Roskartographia"
- h Tele Atlas® MultiNet®-data för Schweiz.
Med aktuellt datum för ikraftträdande, lyder upphovsrättsmeddelandet: "© Swisstopo."
- i Tele Atlas® MultiNet®-data för Nederländerna. Med aktuellt datum för ikraftträdande, lyder upphovsrättsmeddelandet: "Topografische ondergrond Copyright © dienst voor het kadaster en de openbare registers, Apeldoorn 2006."

13. Övrigt.

Detta är det enda och fullständiga Avtalet mellan Licensgivarna och dig i detta ämne. Ingenting i detta Avtal kan skapa ett samriskprojekt, delägarskap eller en huvudagentrelation mellan Licensgivarna och dig. Avsnitt 2, 5 och 7 - 12 fortsätter att gälla vid utgången av eller uppsägningen av detta Avtal. Detta Avtal får endast utökas, ändras eller modifieras av PIONEER. Du får inte tilldela någon del av detta Avtal utan tidigare skriftligt tillstånd från PIONEER. Du erkänner och är införstådd med att Informationen kan komma att underkastas begränsningar avseende export och accepterar att du måste uppfylla alla tillämpliga exportlagar. Skulle någon bestämmelse eller del därav i detta Avtal förklaras som ogiltig, olaglig eller ogenomförbar, skall detta strykas ur Avtalet och resten av Avtalet skall vara giltigt, lagligt och genomdrivbart i största möjliga utsträckning. Eventuell uppsägning av detta Avtal ska skickas med kurir till PIONEER, Attention Legal Department.

Om datan för kartdatabasen

- Ändringar som berör vägar, gator, motorvägar, terräng, vägarbeten och annat före/under utvecklingsperioden återges eventuellt inte i databasen. Oundvikligen kan sådana ändringar inte ingå i databasen efter denna period.
- Informationen i databasen kan skilja sig från faktiska förhållanden, oavsett existerande och nybyggda objekt.
- För detaljerad information om täckningsområdet för kartan i det här navigationssystemet hänvisar vi till den information som finns tillgänglig på vår webbplats.
- Det är strängt förbjudet att reproducera och använda någon del av eller hela denna karta i någon form utan tillstånd från upphovsrättsägaren.
- Ifall de lokala trafikförordningarna eller förhållandena avviker från denna information, ska du följa de lokala trafikförordningarna (skyltar, vägmarkeringar, osv.) och förhållandena (vägarbeten, väderförhållanden, osv.).
- Trafikförordningarna som används i kartdatabasen gäller endast passagerarfordon av standardstorlek. Observera att förordningar för stora fordon, motorcyklar och andra fordon än standardfordon inte ingår i databasen.
- Kartversion, Tele Atlas. Rel. 06/2009.



VARNING

- Försök inte själv installera eller reparera navigationssystemet. Om navigationssystemet installeras eller underhålls av personer som saknar utbildning och fackkunskaper inom elektronisk utrustning och bil tillbehör, riskerar du att utsätta dig för en elektrisk stöt eller andra faror.
- Om vätska eller främmande föremål tränger in i navigationssystemet, parkera fordonet på en säker plats, slå av tändningen omedelbart (ACC OFF) och kontakta din återförsäljare eller närmaste auktoriserade Pioneer-serviceställe. Använd inte navigationssystemet i detta skick eftersom det kan orsaka brand, elektrisk stöt eller någon annan felfunktion.
- Om navigationssystemet avger rök, onormalt ljud eller lukt eller om du ser onormala indikeringar i bildskärmen, ska du slå av strömmen omedelbart och kontakta din återförsäljare eller närmaste auktoriserade Pioneer-serviceställe. Att använda navigationssystemet i detta skick kan orsaka permanent skada på systemet.
- Ta inte isär eller modifiera detta navigationssystem, eftersom det innehåller högspänningskomponenter som kan orsaka en elektrisk stöt. Se till att kontakta din återförsäljare eller närmaste auktoriserade Pioneer-serviceställe för inspektion av inre delar, justering eller reparation.
- Låt inte denna produkt komma i kontakt med vätska. Det kan leda till elchock. Produkten kan skadas, avge rök eller överhettas vid kontakt med vätskor.

FÖRSIKTIGHET

- När en färdväg beräknas ställer systemet automatiskt in färdväg och vägledningsröst. Systemet tar inte hänsyn till varierande dag- eller tidsbundna trafikförordningar, endast information om gällande trafikförordningar tas hänsyn till när färdvägen beräknas. Eventuellt tas ingen hänsyn till återvändsgator och avstängda gator. Om en gata t.ex. endast är tillgänglig på förmiddagen och du anländer senare, kan du inte köra längs den inställda färdvägen eftersom detta vore i strid med

trafikbestämmelserna. När du kör måste du därför följa aktuella indikerade trafikbestämmelser. Det är även möjligt att systemet inte har information om vissa trafikförordningar.

- Installera inte navigationssystemet på en plats där det kan utsättas för hög temperatur eller luftfuktighet, t.ex.:
 - Nära värmeelement, ventilationshål eller luftkonditioneringsapparat.
 - Platser som utsätts för direkt solljus, t.ex. ovanpå instrumentbrädan eller på den bakre hyllan.
 - Platser som kan utsättas för regnstänk, t.ex. nära en dörr eller på fordonets golv.

Innan du använder navigationssystemet, läs och gör dig grundligt förtrogen med följande säkerhetsföreskrifter:

- Läs hela bruksanvisningen innan du använder detta navigationssystem.
- Navigeringsfunktionerna i navigationssystemet är endast avsedda som en hjälp när du använder fordonet. De ersätter inte din uppmärksamhet, ditt omdöme eller din försiktighet vid körning.
- Använd inte detta navigationssystem om det på något som helst sätt distraherar dig eller hindrar dig från säker användning av ditt fordon. Lakttag alltid reglerna för trafiksäkerhet och alla gällande trafikförordningar. Om du får problem med att använda systemet eller läsa bildskärmen, parkera först fordonet på en säker plats och dra åt handbromsen innan du gör nödvändiga justeringar.
- Tillåt aldrig att andra personer använder systemet om dessa inte har läst och gjort sig förtrogna med bruksanvisningen.
- Använd aldrig detta navigationssystem för vägledning till sjukhus, polisstationer eller liknande resmål i en nödsituation. Avsluta alla handsfree-telefonfunktioner och ring lämpligt nödtelefonnummer.
- Den information om färdvägar och vägledning som visas av denna utrustning är endast avsedd för referensändamål. Den kan sakna exakt, aktuell information om tillåtna färdvägar, vägförhållanden, återvändsgator, avstängda gator eller trafikbegränsningar.

- Aktuell gällande trafikbegränsningar och instruktioner måste alltid prioriteras före den vägledning som ges av navigationssystemet. Iakttag alltid gällande trafikbestämmelser, även om Navigationssystemet ger motsägande instruktioner.
- Om du inte ställer in korrekt information om lokal tid, riskerar du att navigationssystemet ger felaktiga vägval och vägledningsinstruktioner.
- Ställ aldrig volymen på navigationssystemet så högt att du inte kan höra externa trafikljud och uttryckningsfordon.
- För att göra systemet säkrare deaktiveras vissa funktioner i systemet om fordonet inte står stilla och/eller parkeringsbromsen inte är ansatt.
- De data som finns registrerade i det inbyggda minnet är leverantörens intellektuella egendom och leverantören ansvarar för dess innehåll.
- Ha denna bruksanvisning till hands som en referens för användning och säkerhet.
- Iakttag noga alla varningar i denna bruksanvisning och följ instruktionerna noggrant.
- Installera inte navigationssystemet på ett ställe där det kan (i) hindra sikten för föraren, (ii) försvåra funktionen av fordonets manöver- eller säkerhetssystem, inklusive luftkuddar och knappar till varningslampor eller (iii) hindra en säker användning av fordonet.
- Se alltid till att ha på dig säkerhetsbältet när du använder ditt fordon. Om du råkar ut för en olycka kan dina skador vara mycket allvarigare om du inte har satt på säkerhetsbältet ordentligt.
- Se till att du sätter fast den avtagbara enheten mot basenheten vid användning i bilen. Om den avtagbara enheten inte sitter ordentligt mot basenheten när du använder den, kan den skadas vid en plötslig inbromsning.
- Använd aldrig hörlurar under körning.

Försiktighetsåtgärder för den avtagbara enheten

FÖRSIKTIGHET

- Lämna inte den avtagbara enheten på platser där den kan utsättas för hög temperatur eller luftfuktighet, t.ex.:
 - Nära värmeelement, ventilationshåll eller luftkonditioneringsapparat.
 - Platser som utsätts för direkt solljus, t.ex. ovanpå instrumentbrädan eller på den bakre hyllan.
 - Platser som kan utsättas för regnstänk, t.ex. nära en dörr eller på fordonets golv.
- Se till att du inte vidrör kontaktblecken på den avtagbara enheten eller basenheten. Om du gör detta kan anslutningsfel uppstå. Om några in-/utgångar är smutsiga, rengör du dem med en ren och torr duk.
- Se till att slå ifrån tändningen (ACC OFF) innan den avtagbara enheten frigörs.
- Se till att den avtagbara enheten först ansluts till basenheten innan tändningen slås till (ACC ON).
- När du har avlägsnat den avtagbara enheten ska du förvara den på ett säkert ställe så att den inte repas eller skadas. Se till att du tar loss den avtagbara enheten från basenheten och tar den med dig när du lämnar fordonet.
- Använd aldrig våld vid anslutning eller frigöring.
- Skydda den avtagbara enheten mot kraftiga stötar.

Ladda den avtagbara enhetens batteri

- Batteriet kan inte laddas om temperaturen är lägre eller högre än batteriladdningens temperaturområde.
 - Intervallet för batteriets arbetstemperatur är 0 °C till +55 °C.
 - Intervallet för batteriets driftstemperatur är –20 °C till +60 °C.
- Den avtagbara enhetens batteri laddas upp i följande situationer.
 - När den avtagbara enheten är ansluten till basenheten och navigationssystemet är anslutet till AV-mottagaren medan tändningen är tillslagen (ACC ON).

- När den avtagbara enheten är ansluten till din PC.
- Batteriets livslängd är begränsad. Det uppladdade batteriets drifttid minskar med upprepade uppladdningar. Om batteriets drifttid är extremt kortvarig, är det troligen inte mycket kvar av batteriets livslängd. Kontakta återförsäljaren eller närmaste auktoriserade Pioneer-serviceställande och ersätt det med ett nytt batteri.
- När batteriet är fullständigt urladdat eller när temperaturen befinner sig utanför laddningstemperaturområdet kan systemet inte startas förrän batteriladdningen inletts. I så fall kan det ta några minuter innan systemet startar.
- Om navigationssystemet inte startar efter en stunds väntan och strömindikatorn inte tänds, kan det vara nödvändigt att byta batteriet. Kontakta närmaste auktoriserade Pioneer-serviceställande.

Eco-körning

- Bränsleförbrukningen beräknas med utgångspunkt av ett teoretiskt värde som bestäms av fordonshastighet och positionsinformation från navigationssystemet. Den visade bränsleförbrukningen är endast ett referensvärde, det finns således inga garantier för att denna förbrukning kan uppnås.
- Eco-körningsfunktionerna baseras på en uppskattad bränsleförbrukning i realtid i förhållande till medelbränsleförbrukningen över tid och de är således inte att betrakta som absoluta värden.
- Eco-körningsfunktionerna och dess beräkningar tar hänsyn till GPS-positionering och fordonshastighet då värdena bestäms.
- De uppgifter som den här enheten tillhandahåller kan avvika från de verkliga värdena.
- Vissa av enhetens funktioner tar ej hänsyn till den fordonstyp som den installeras i.

Bränsleprishantering

Dessa beräkningar baseras endast på den information du tillhandahåller och inte på några data från fordonet. Den visade bränsleförbrukningen är endast ett referensvärde, det finns således inga garantier för att denna bränsleförbrukning kan uppnås.

Trafikinformation

- Pioneer ansvarar ej för noggrannheten i den utsända informationen.
- Pioneer ansvarar ej för ändringar i de informationstjänster som erbjuds av radiostationer eller av berörda företag, t.ex. annullering av tjänster eller ändring till avgiftsbelagda tjänster. Pioneer accepterar inte heller en retur av produkten av denna anledning.

Angiven hastighetsbegränsning

Hastighetsbegränsningen som anges är baserad på kartdatabasen. Det är inte säkert att hastighetsbegränsningen i databasen stämmer med den aktuella vägens verkliga hastighetsbegränsning. Värdet är inte något exakt värde. Kontrollera att du respekterar den verkliga hastighetsbegränsningen.

Säkerhetsspärr för parkeringsbroms

Detta navigationssystem erhåller status om parkeringsbromsens läge från den anslutna AV-mottagaren.

Vissa funktioner i detta navigationssystem (användning av vissa touchknappar) kan utgöra en fara och/eller vara olagliga om de används under körning. För att hindra att sådana funktioner används medan fordonet är i rörelse, finns det en säkerhetsspärr som känner av om parkeringsbromsen är inkopplad och om fordonet är i rörelse. Om du försöker använda funktionerna som beskrivs ovan medan du kör kopplas de bort, och de kan sedan inte användas förrän du stannar fordonet på en säker plats och aktiverar parkeringsbromsen. Håll bromspedalen nedtryckt innan du kopplar ur parkeringsbromsen.

□ När du vill koppla i parkeringsbromsen för att använda andra funktioner i navigationssystemet, parkerar du fordonet på en säker plats och håller sedan bromspedalen nedtryckt innan du frigör parkeringsbromsen ifall fordonet är parkerat i en backe eller riskerar att röra sig när parkeringsbromsen frigörs.

För att undvika att batteriet laddas ur

Se alltid till att fordonets motor är igång medan denna produkt används. I annat fall riskerar du att batteriet laddas ur.

⚠ VARNING

Installera inte produkten i fordon där tändningslåset saknar ACC-läge.

Hantering av öppningen för SD-kortet

SD-minneskortet och SDHC-minneskortet kallas med ett gemensamt namn "SD-minneskort".

⚠ FÖRSIKTIGHET

- Se till att SD-minneskortet hålls utom räckhåll för små barn för att undvika att de sväljer det av misstag.
- För att förhindra dataförlust och skador på lagringsenheten, ska du aldrig avlägsna den från navigationssystemet under dataöverföring.
- Om förlust eller förvrängning av data inträffar i lagringsenheten av någon anledning, går det vanligen inte att återställa datan. Pioneer åtar sig inget ansvar för skador, kostnader eller utgifter som härrör från förlust eller förvrängning av data.
- Mata aldrig in eller ut ett SD-minneskort under körning.

Hantering av USB-port (Mini-B)

□ USB-porten (Mini-USB) på den avtagbara enheten används endast för att ansluta den avtagbara enheten till din PC. Systemet kan inte identifiera USB-minnesenheter som ansluts till USB-porten.

⚠ FÖRSIKTIGHET

- För att förhindra dataförlust från, och skador på SD-minneskortet, ska du aldrig avlägsna det från din PC under pågående dataöverföring.
- Om data, av någon anledning förloras eller skadas på SD-minneskortet, går det vanligtvis inte att återställa datan. Pioneer åtar sig inget ansvar för skador, kostnader eller utgifter som härrör från förlust eller förvrängning av data.

Om problem uppstår

Om navigationssystemet inte fungerar korrekt, kontakta din återförsäljare eller närmaste auktoriserade Pioneer-serviceställe.

Besök vår webbplats

Besök oss på följande webbplats:

www.pioneer.se

- Registrera din produkt. Vi kommer att spara uppgifterna om ditt inköp i vårt arkiv, så att du kan hänvisa till denna information i händelse av försäkringskrav vid förlust eller stöld.
- Den senaste informationen om Pioneer Corporation hittar du på vår webbplats.

Om denna produkt

Detta navigationssystem fungerar inte korrekt utanför Europa. Funktionen RDS (Radio Data System) fungerar endast i regioner med FM-stationer som sänder RDS-signaler. RDS-TMC-tjänsten kan användas i regioner där det finns stationer som sänder RDS-TMC-signaler (tillgänglig trafikinformation).

Medföljande CD-ROM-skiva

Driftsmiljö

Den medföljande CD-ROM-skivan kan användas tillsammans med Microsoft® Windows® 2000/XP och Apple Mac OS X 10.4.

För att läsa instruktionsböckerna på CD-ROM-skivan fordras det att Adobe Reader (Version 4.0 eller senare) är installerat.

Försiktighetsåtgärder

Denna CD-ROM är endast avsedd att användas i en persondator. Den kan inte användas tillsammans med någon annan DVD/CD-spelare eller -enheter. Om du försöker spela CD-ROM-skivan med sådan utrustning kan det uppstå skador på högtalarna eller hörseln på grund av för hög ljudvolym.

Licens

Var god godkänn "Användningsvillkor" som anges nedan innan du använder CD-ROM-skivan. Använd inte skivan om du inte samtycker till användningsvillkoren.

Användningsvillkor

Upphovsrätten till den data som tillhandahålls på CD-ROM-skivan tillhör Pioneer Corporation. Otillåten överföring, kopiering, utsändning, offentlig visning, översättning, försäljning, uthyrning, utlåning eller annat bruk som avviker från det som omfattas av "personligt bruk" eller "källhänvisning" så som definierat i upphovsrättslagen, kan vara föremål för rättsliga åtgärder. Tillstånd att använda CD-ROM-skivan beviljas under licens från Pioneer Corporation.

Friskrivningsklausul

Pioneer Corporation kan ej garantera CD-ROM-skivans funktion även om den persondator som används har något av de tillämpliga operativsystemen installerat. Pioneer Corporation fransäger sig allt ansvar för skador som uppstått som ett resultat av att CD-ROM-skivan används och är således ej heller skyldiga att ersätta dessa.

Anmärkning

- När du använder den medföljande CD-ROM-skivan på Mac-operativsystem, ska du sätta i CD-ROM-skivan i CD-enheten och dubbelklicka på CD-ROM-symbolen för att starta programmet.

Namn på privata företag, produkter och andra enheter som beskrivs här är registrerade varumärken eller varumärken registrerade av sina respektive företag.

⇒ Se bruksanvisningen för närmare detaljer.

PIONEER CORPORATION

1-1, Shin-Ogura Saiwai-ku, Kawasaki-shi
Kanagawa-ken 212-0031, JAPAN

PIONEER ELECTRONICS (USA) INC.

P.O. Box 1540, Long Beach, California 90801-1540, U.S.A.
TEL: (800) 421-1404

PIONEER EUROPE NV

Haven 1087, Keetberglaan 1, B-9120 Melsele, Belgium
TEL: (0) 3/570.05.11

PIONEER ELECTRONICS ASIACENTRE PTE. LTD.

253 Alexandra Road, #04-01, Singapore 159936
TEL: 65-6472-7555

PIONEER ELECTRONICS AUSTRALIA PTY. LTD.

178-184 Boundary Road, Braeside, Victoria 3195, Australia
TEL: (03) 9586-6300

PIONEER ELECTRONICS OF CANADA, INC.

300 Allstate Parkway, Markham, Ontario L3R OP2, Canada
TEL: 1-877-283-5901

PIONEER ELECTRONICS DE MEXICO, S.A. de C.V.

Blvd. Manuel Avila Camacho 138 10 piso
Col. Lomas de Chapultepec, Mexico, D.F. 11000
TEL: 55-9178-4270

先鋒股份有限公司

總公司: 台北市中山北路二段44號13樓

電話: (02) 2521-3588

先鋒電子(香港)有限公司

香港九龍尖沙咀海港城世界商業中心9樓901-6室

電話: (0852) 2848-6488