

Pioneer

**Σημαντικές πληροφορίες που
αφορούν το χρήστη**

ΣΥΣΤΗΜΑ ΠΛΟΗΓΗΣΗΣ HIDE-AWAY

AVIC-F220

Μην παραλείψετε να δηλώσετε το προϊόν σας στη διεύθυνση www.pioneer.eu

Παρακαλούμε διαβάστε προσεκτικά αυτό το φυλλάδιο και το Εγχειρίδιο Χρήσης που περιλαμβάνεται στο CD-ROM που συνοδεύει το σύστημα πλοήγησης! Και τα δύο έγγραφα περιέχουν σημαντικές πληροφορίες που θα πρέπει να έχετε κατανοήσει πριν χρησιμοποιήσετε αυτό το σύστημα πλοήγησης.

Ελληνικά

Δήλωση συμμόρφωσης προς την οδηγία R&TTE 1999/5/EK

Κατασκευαστής:

Pioneer Corporation

1-1, Shin-ogura, Saiwai-ku, Kawasaki-shi,
Kanagawa 212-0031, Japan

Αντιπρόσωπος στην ΕΕ:

Pioneer Europe NV

Haven 1087, Keetberglaan 1,
9120 Melsele, Belgium
<http://www.pioneer.eu>



English:

Hereby, Pioneer, declares that this AVIC-F220 is in compliance with the essential requirements and other relevant provisions of Directive 1999/5/EC.

Suomi:

Pioneer vakuuttaa täten että AVIC-F220 tyyppinen laite on direktiivin 1999/5/EY oleellisten vaatimusten ja sitä koskevien direktiivin muiden ehtojen mukainen.

Nederlands:

Hierbij verklaart Pioneer dat het toestel AVIC-F220 in overeenstemming is met de essentiële eisen en de andere relevante bepalingen van richtlijn 1999/5/EG

Français:

Par la présente Pioneer déclare que l'appareil AVIC-F220 est conforme aux exigences essentielles et aux autres dispositions pertinentes de la directive 1999/5/CE

Svenska:

Härmed intygar Pioneer att denna AVIC-F220 står i överensstämmelse med de väsentliga egenskapskrav och övriga relevanta bestämmelser som framgår av direktiv 1999/5/EG.

Dansk:

Undertegnede Pioneer erklærer herved, at følgende udstyr AVIC-F220 overholder de væsentlige krav og øvrige relevante krav i direktiv 1999/5/EF

Deutsch:

Hiermit erkläre Pioneer, dass sich dieses AVIC-F220 in Übereinstimmung mit den grundlegenden Anforderungen und den anderen relevanten Vorschriften der Richtlinie 1999/5/EG befindet". (BMW)

Ελληνικά:

ΜΕ ΤΗΝ ΠΑΡΟΥΣΑ Pioneer ΔΗΛΩΝΕΙ ΟΤΙ AVIC-F220 ΣΥΜΜΟΡΦΩΝΕΤΑΙ ΠΡΟΣ ΤΙΣ ΟΥΣΙΩΔΕΙΣ ΑΠΑΙΤΗΣΕΙΣ ΚΑΙ ΤΙΣ ΛΟΙΠΕΣ ΣΧΕΤΙΚΕΣ ΔΙΑΤΑΞΕΙΣ ΤΗΣ ΟΔΗΓΙΑΣ 1999/5/EK

Italiano:

Con la presente Pioneer dichiara che questo AVIC-F220 è conforme ai requisiti essenziali ed alle altre disposizioni pertinenti stabilite dalla direttiva 1999/5/CE.

Español:

Por medio de la presente Pioneer declara que el AVIC-F220 cumple con los requisitos esenciales y cualesquiera otras disposiciones aplicables o exigibles de la Directiva 1999/5/CE

Português:

Pioneer declara que este AVIC-F220 está conforme com os requisitos essenciais e outras disposições da Directiva 1999/5/CE.

Čeština:

Pioneer tímto prohlašuje, že tento AVIC-F220 je ve shodě se základními požadavky a dalšími příslušnými ustanoveními směrnice 1999/5/ES

Eesti:

Käesolevaga kinnitab Pioneer seadme AVIC-F220 vastavust direktiivi 1999/5/EÜ põhinõuetele ja nimetatud direktiivist tulenevatele teistele asjakohastele sätetele.

Magyar:

Alulírott, Pioneer nyilatkozom, hogy a AVIC-F220 megfelel a vonatkozó alapvető követelményeknek és az 1999/5/EC irányelv egyéb előírásainak.

Latviešu valoda:

Ar šo Pioneer deklarē, ka AVIC-F220 atbilst Direktīvas 1999/5/EK būtiskajām prasībām un citiem ar to saistītajiem noteikumiem.

Lietuvių kalba:

Šiuo Pioneer deklaruoją, kad šis AVIC-F220 atitinka esminius reikalavimus ir kitas 1999/5/EB Direktyvos nuostatas.

Malti:

Hawnhekk, Pioneer jiddikjara li dan AVIC-F220 jikkonforma mal-htigijiet essenzjali u ma provvedimenti oħrajn rilevanti li hemm fid-Direttiva 1999/5/EC

Slovenčina:

Pioneer týmto vyhlasuje, že AVIC-F220 splňa základné požiadavky a všetky príslušné ustanovenia Smernice 1999/5/ES.

Slovenščina:

Pioneer izjavlja, da je ta AVIC-F220 v skladu z bistvenimi zahtevami in ostalimi relevantnimi določili direktive 1999/5/ES.

Română:

Prin prezenta, Pioneer declara ca acest AVIC-F220 este in conformitate cu cerintele esentiale si alte prevederi ale Directivei 1999/5/EU.

български:

С настоящето, Pioneer декларира, че този AVIC-F220 отговаря на основните изисквания и други съответни постановления на Директива 1999/5/ЕС.

Polski:

Niniejszym Pioneer oświadcza, że AVIC-F220 jest zgodny z zasadniczymi wymogami oraz pozostałymi stosownymi postanowieniami Dyrektywy 1999/5/EC

Norsk:

Pioneer erklærer herved at utstyret AVIC-F220 er i samsvar med de grunnleggende krav og øvrige relevante krav i direktiv 1999/5/EF.

Íslenska:

Hér með lýsir Pioneer yfir því að AVIC-F220 er í samræmi við grunnkröfur og aðrar kröfur, sem gerðar eru í tilskipun 1999/5/EC

7-Zip

License for use and distribution

7-Zip Copyright (C) 1999-2007 Igor Pavlov.

Licenses for files are:

- 1) 7z.dll: GNU LGPL + unRAR restriction
- 2) All other files: GNU LGPL

The GNU LGPL + unRAR restriction means that you must follow both GNU LGPL rules and unRAR restriction rules.

Note:

- You can use 7-Zip on any computer, including a computer in a commercial organization. You don't need to register or pay for 7-Zip.

GNU LGPL information

This library is free software; you can redistribute it and/or modify it under the terms of the GNU Lesser General Public License as published by the Free Software Foundation; either version 2.1 of the License, or (at your option) any later version.

This library is distributed in the hope that it will be useful, but WITHOUT ANY WARRANTY; without even the implied warranty of MERCHANTABILITY or FITNESS FOR A PARTICULAR PURPOSE. See the GNU Lesser General Public License for more details.

You should have received a copy of the GNU Lesser General Public License along with this library; if not, write to the Free Software Foundation, Inc., 59 Temple Place, Suite 330, Boston, MA 02111-1307 USA

unRAR restriction

The decompression engine for RAR archives was developed using source code of unRAR program. All copyrights to original unRAR code are owned by Alexander Roshal.

The license for original unRAR code has the following restriction:

The unRAR sources cannot be used to re-create the RAR compression algorithm, which is proprietary. Distribution of modified unRAR sources in separate form or as a part of other software is permitted, provided that it is clearly stated in the documentation and source comments that the code may not be used to develop a RAR (WinRAR) compatible archiver.

GNU LESSER GENERAL PUBLIC LICENSE

Version 2.1, February 1999

Copyright (C) 1991, 1999 Free Software Foundation, Inc.
59 Temple Place, Suite 330, Boston, MA 02111-1307 USA

Everyone is permitted to copy and distribute

verbatim copies of this license document, but changing it is not allowed.

[This is the first released version of the Lesser GPL. It also counts as the successor of the GNU Library Public License, version 2, hence the version number 2.1.]

Preamble

The licenses for most software are designed to take away your freedom to share and change it. By contrast, the GNU General Public Licenses are intended to guarantee your freedom to share and change free software--to make sure the software is free for all its users.

This license, the Lesser General Public License, applies to some specially designated software packages--typically libraries--of the Free Software Foundation and other authors who decide to use it. You can use it too, but we suggest you first think carefully about whether this license or the ordinary General Public License is the better strategy to use in any particular case, based on the explanations below.

When we speak of free software, we are referring to freedom of use, not price. Our General Public Licenses are designed to make sure that you have the freedom to distribute copies of free software (and charge for this service if you wish); that you receive source code or can get it if you want it; that you can change the software and use pieces of it in new free programs; and that you are informed that you can do these things.

To protect your rights, we need to make restrictions that forbid distributors to deny you these rights or to ask you to surrender these rights. These restrictions translate to certain responsibilities for you if you distribute copies of the library or if you modify it.

For example, if you distribute copies of the library, whether gratis or for a fee, you must give the recipients all the rights that we gave you. You must make sure that they, too, receive or can get the source code. If you link other code with the library, you must provide complete object files to the recipients, so that they can relink them with the library after making changes to the library and recompiling it. And you must show them these terms so they know their rights.

We protect your rights with a two-step method: (1) we copyright the library, and (2) we offer you this license, which gives you legal permission to copy, distribute and/or modify the library.

To protect each distributor, we want to make it very clear that there is no warranty for the free library. Also, if the library is modified by someone else and passed on, the recipients should know that what they have is not the original version, so that the original author's reputation will not be affected by problems that might be introduced by others.

Finally, software patents pose a constant threat to the existence of any free program. We wish to make sure that a company cannot effectively restrict the users of a free program by obtaining a restrictive license from a patent holder. Therefore, we insist that any patent license obtained for a version of the library must be consistent with the full freedom of use specified in this license.

Most GNU software, including some libraries, is covered by the ordinary GNU General Public License. This license, the GNU Lesser General Public License, applies to certain designated libraries, and is quite different from the ordinary General Public License. We use this license for certain libraries in order to permit linking those libraries into non-free programs.

When a program is linked with a library, whether statically or using a shared library, the combination of the two is legally speaking a combined work, a derivative of the original library. The ordinary General Public License therefore permits such linking only if the entire combination fits its criteria of freedom. The Lesser General Public License permits more lax criteria for linking other code with the library.

We call this license the “Lesser” General Public License because it does Less to protect the user’s freedom than the ordinary General Public License. It also provides other free software developers Less of an advantage over competing non-free programs. These disadvantages are the reason we use the ordinary General Public License for many libraries. However, the Lesser license provides advantages in certain special circumstances.

For example, on rare occasions, there may be a special need to encourage the widest possible use of a certain library, so that it becomes a de-facto standard. To achieve this, non-free programs must be allowed to use the library. A more frequent case is that a free library does the same job as widely used non-free libraries. In this case, there is little to gain by limiting the free library to free software only, so we use the Lesser General Public License.

In other cases, permission to use a particular library in non-free programs enables a greater number of people to use a large body of free software. For example, permission to use the GNU C Library in non-free programs enables many more people to use the whole GNU operating system, as well as its variant, the GNU/Linux operating system.

Although the Lesser General Public License is Less protective of the users’ freedom, it does ensure that the user of a program that is linked with the Library has the freedom and the wherewithal to run that program using a modified version of the Library.

The precise terms and conditions for copying, distribution and modification follow. Pay close attention to the difference between a “work based on the library” and a “work that uses the library”. The former contains code derived from the library,

whereas the latter must be combined with the library in order to run.

GNU LESSER GENERAL PUBLIC LICENSE

TERMS AND CONDITIONS FOR COPYING, DISTRIBUTION AND MODIFICATION

0. This License Agreement applies to any software library or other program which contains a notice placed by the copyright holder or other authorized party saying it may be distributed under the terms of this Lesser General Public License (also called “this License”).

Each licensee is addressed as “you”.

A “library” means a collection of software functions and/or data prepared so as to be conveniently linked with application programs (which use some of those functions and data) to form executables.

The “Library”, below, refers to any such software library or work which has been distributed under these terms. A “work based on the Library” means either the Library or any derivative work under copyright law: that is to say, a work containing the Library or a portion of it, either verbatim or with modifications and/or translated straightforwardly into another language. (Hereinafter, translation is included without limitation in the term “modification”.)

“Source code” for a work means the preferred form of the work for making modifications to it. For a library, complete source code means all the source code for all modules it contains, plus any associated interface definition files, plus the scripts used to control compilation and installation of the library.

Activities other than copying, distribution and modification are not covered by this License; they are outside its scope. The act of running a program using the Library is not restricted, and output from such a program is covered only if its contents constitute a work based on the Library (independent of the use of the Library in a tool for writing it). Whether that is true depends on what the Library does and what the program that uses the Library does.

1. You may copy and distribute verbatim copies of the Library’s complete source code as you receive it, in any medium, provided that you conspicuously and appropriately publish on each copy an appropriate copyright notice and disclaimer of warranty; keep intact all the notices that refer to this License and to the absence of any warranty; and distribute a copy of this License along with the Library.

You may charge a fee for the physical act of transferring a copy, and you may at your option offer warranty protection in exchange for a fee.

2. You may modify your copy or copies of the Library or any portion of it, thus forming a work based on the Library, and copy and distribute such modifications

or work under the terms of Section 1 above, provided that you also meet all of these conditions:

- a) The modified work must itself be a software library.
- b) You must cause the files modified to carry prominent notices stating that you changed the files and the date of any change.
- c) You must cause the whole of the work to be licensed at no charge to all third parties under the terms of this License.
- d) If a facility in the modified Library refers to a function or a table of data to be supplied by an application program that uses the facility, other than as an argument passed when the facility is invoked, then you must make a good faith effort to ensure that, in the event an application does not supply such function or table, the facility still operates, and performs whatever part of its purpose remains meaningful.

(For example, a function in a library to compute square roots has a purpose that is entirely well-defined independent of the application.

Therefore, Subsection 2d requires that any application-supplied function or table used by this function must be optional: if the application does not supply it, the square root function must still compute square roots.)

These requirements apply to the modified work as a whole. If identifiable sections of that work are not derived from the Library, and can be reasonably considered independent and separate works in themselves, then this License, and its terms, do not apply to those sections when you distribute them as separate works. But when you distribute the same sections as part of a whole which is a work based on the Library, the distribution of the whole must be on the terms of this License, whose permissions for other licensees extend to the entire whole, and thus to each and every part regardless of who wrote it.

Thus, it is not the intent of this section to claim rights or contest your rights to work written entirely by you; rather, the intent is to exercise the right to control the distribution of derivative or collective works based on the Library.

In addition, mere aggregation of another work not based on the Library with the Library (or with a work based on the Library) on a volume of a storage or distribution medium does not bring the other work under the scope of this License.

3. You may opt to apply the terms of the ordinary GNU General Public License instead of this License to a given copy of the Library. To do this, you must alter all the notices that refer to this License, so that they refer to the ordinary GNU General Public License, version 2, instead of to this License. (If a newer version than version 2 of the ordinary GNU General Public License has appeared, then you can specify that version instead if you wish.) Do not make any other change in these notices.

Once this change is made in a given copy, it is irreversible for that copy, so the ordinary GNU General Public License applies to all subsequent copies and derivative works made from that copy.

This option is useful when you wish to copy part of the code of the Library into a program that is not a library.

4. You may copy and distribute the Library (or a portion or derivative of it, under Section 2) in object code or executable form under the terms of Sections 1 and 2 above provided that you accompany it with the complete corresponding machine-readable source code, which must be distributed under the terms of Sections 1 and 2 above on a medium customarily used for software interchange.

If distribution of object code is made by offering access to copy from a designated place, then offering equivalent access to copy the source code from the same place satisfies the requirement to distribute the source code, even though third parties are not compelled to copy the source along with the object code.

5. A program that contains no derivative of any portion of the Library, but is designed to work with the Library by being compiled or linked with it, is called a “work that uses the Library”. Such a work, in isolation, is not a derivative work of the Library, and therefore falls outside the scope of this License.

However, linking a “work that uses the Library” with the Library creates an executable that is a derivative of the Library (because it contains portions of the Library), rather than a “work that uses the library”. The executable is therefore covered by this License. Section 6 states terms for distribution of such executables.

When a “work that uses the Library” uses material from a header file that is part of the Library, the object code for the work may be a derivative work of the Library even though the source code is not.

Whether this is true is especially significant if the work can be linked without the Library, or if the work is itself a library. The threshold for this to be true is not precisely defined by law.

If such an object file uses only numerical parameters, data structure layouts and accessors, and small macros and small inline functions (ten lines or less in length), then the use of the object file is unrestricted, regardless of whether it is legally a derivative work. (Executables containing this object code plus portions of the Library will still fall under Section 6.)

Otherwise, if the work is a derivative of the Library, you may distribute the object code for the work under the terms of Section 6.

Any executables containing that work also fall under Section 6, whether or not they are linked directly with the Library itself.

6. As an exception to the Sections above, you may also combine or link a “work that uses the Library”

with the Library to produce a work containing portions of the Library, and distribute that work under terms of your choice, provided that the terms permit modification of the work for the customer's own use and reverse engineering for debugging such modifications.

You must give prominent notice with each copy of the work that the Library is used in it and that the Library and its use are covered by this License. You must supply a copy of this License. If the work during execution displays copyright notices, you must include the copyright notice for the Library among them, as well as a reference directing the user to the copy of this License. Also, you must do one of these things:

- a) Accompany the work with the complete corresponding machine-readable source code for the Library including whatever changes were used in the work (which must be distributed under Sections 1 and 2 above); and, if the work is an executable linked with the Library, with the complete machine-readable "work that uses the Library", as object code and/or source code, so that the user can modify the Library and then relink to produce a modified executable containing the modified Library. (It is understood that the user who changes the contents of definitions files in the Library will not necessarily be able to recompile the application to use the modified definitions.)
- b) Use a suitable shared library mechanism for linking with the Library. A suitable mechanism is one that (1) uses at run time a copy of the library already present on the user's computer system, rather than copying library functions into the executable, and (2) will operate properly with a modified version of the library, if the user installs one, as long as the modified version is interface-compatible with the version that the work was made with.
- c) Accompany the work with a written offer, valid for at least three years, to give the same user the materials specified in Subsection 6a, above, for a charge no more than the cost of performing this distribution.
- d) If distribution of the work is made by offering access to copy from a designated place, offer equivalent access to copy the above specified materials from the same place.
- e) Verify that the user has already received a copy of these materials or that you have already sent this user a copy.

For an executable, the required form of the "work that uses the Library" must include any data and utility programs needed for reproducing the executable from it. However, as a special exception, the materials to be distributed need not include anything that is normally distributed (in either source or binary form) with the major components (compiler, kernel, and so on) of the operating system on which

the executable runs, unless that component itself accompanies the executable.

It may happen that this requirement contradicts the license restrictions of other proprietary libraries that do not normally accompany the operating system. Such a contradiction means you cannot use both them and the Library together in an executable that you distribute.

7. You may place library facilities that are a work based on the Library side-by-side in a single library together with other library facilities not covered by this License, and distribute such a combined library, provided that the separate distribution of the work based on the Library and of the other library facilities is otherwise permitted, and provided that you do these two things:

- a) Accompany the combined library with a copy of the same work based on the Library, uncombined with any other library facilities. This must be distributed under the terms of the Sections above.
- b) Give prominent notice with the combined library of the fact that part of it is a work based on the Library, and explaining where to find the accompanying uncombined form of the same work.

8. You may not copy, modify, sublicense, link with, or distribute the Library except as expressly provided under this License. Any attempt otherwise to copy, modify, sublicense, link with, or distribute the Library is void, and will automatically terminate your rights under this License. However, parties who have received copies, or rights, from you under this License will not have their licenses terminated so long as such parties remain in full compliance.

9. You are not required to accept this License, since you have not signed it. However, nothing else grants you permission to modify or distribute the Library or its derivative works. These actions are prohibited by law if you do not accept this License. Therefore, by modifying or distributing the Library (or any work based on the Library), you indicate your acceptance of this License to do so, and all its terms and conditions for copying, distributing or modifying the Library or works based on it.

10. Each time you redistribute the Library (or any work based on the Library), the recipient automatically receives a license from the original licensor to copy, distribute, link with or modify the Library subject to these terms and conditions. You may not impose any further restrictions on the recipients' exercise of the rights granted herein. You are not responsible for enforcing compliance by third parties with this License.

11. If, as a consequence of a court judgment or allegation of patent infringement or for any other reason (not limited to patent issues), conditions are imposed on you (whether by court order, agreement or otherwise) that contradict the conditions of this License, they do not excuse you from the conditions of this License. If you cannot distribute so as to

satisfy simultaneously your obligations under this License and any other pertinent obligations, then as a consequence you may not distribute the Library at all. For example, if a patent license would not permit royalty-free redistribution of the Library by all those who receive copies directly or indirectly through you, then the only way you could satisfy both it and this License would be to refrain entirely from distribution of the Library.

If any portion of this section is held invalid or unenforceable under any particular circumstance, the balance of the section is intended to apply, and the section as a whole is intended to apply in other circumstances.

It is not the purpose of this section to induce you to infringe any patents or other property right claims or to contest validity of any such claims; this section has the sole purpose of protecting the integrity of the free software distribution system which is implemented by public license practices. Many people have made generous contributions to the wide range of software distributed through that system in reliance on consistent application of that system; it is up to the author/donor to decide if he or she is willing to distribute software through any other system and a licensee cannot impose that choice.

This section is intended to make thoroughly clear what is believed to be a consequence of the rest of this License.

12. If the distribution and/or use of the Library is restricted in certain countries either by patents or by copyrighted interfaces, the original copyright holder who places the Library under this License may add an explicit geographical distribution limitation excluding those countries, so that distribution is permitted only in or among countries not thus excluded. In such case, this License incorporates the limitation as if written in the body of this License.

13. The Free Software Foundation may publish revised and/or new versions of the Lesser General Public License from time to time. Such new versions will be similar in spirit to the present version, but may differ in detail to address new problems or concerns.

Each version is given a distinguishing version number. If the Library specifies a version number of this License which applies to it and “any later version”, you have the option of following the terms and conditions either of that version or of any later version published by the Free Software Foundation. If the Library does not specify a license version number, you may choose any version ever published by the Free Software Foundation.

14. If you wish to incorporate parts of the Library into other free programs whose distribution conditions are incompatible with these, write to the author to ask for permission. For software which is copyrighted by the Free Software Foundation, write to the Free Software Foundation; we sometimes make exceptions for this. Our decision will be guided by the two goals of preserving the free status of all

derivatives of our free software and of promoting the sharing and reuse of software generally.

NO WARRANTY

15. BECAUSE THE LIBRARY IS LICENSED FREE OF CHARGE, THERE IS NO WARRANTY FOR THE LIBRARY, TO THE EXTENT PERMITTED BY APPLICABLE LAW.

EXCEPT WHEN OTHERWISE STATED IN WRITING THE COPYRIGHT HOLDERS AND/OR OTHER PARTIES PROVIDE THE LIBRARY “AS IS” WITHOUT WARRANTY OF ANY KIND, EITHER EXPRESSED OR IMPLIED, INCLUDING, BUT NOT LIMITED TO, THE IMPLIED WARRANTIES OF MERCHANTABILITY AND FITNESS FOR A PARTICULAR PURPOSE. THE ENTIRE RISK AS TO THE QUALITY AND PERFORMANCE OF THE LIBRARY IS WITH YOU. SHOULD THE LIBRARY PROVE DEFECTIVE, YOU ASSUME THE COST OF ALL NECESSARY SERVICING, REPAIR OR CORRECTION.

16. IN NO EVENT UNLESS REQUIRED BY APPLICABLE LAW OR AGREED TO IN WRITING WILL ANY COPYRIGHT HOLDER, OR ANY OTHER PARTY WHO MAY MODIFY AND/OR REDISTRIBUTE THE LIBRARY AS PERMITTED ABOVE, BE LIABLE TO YOU FOR DAMAGES, INCLUDING ANY GENERAL, SPECIAL, INCIDENTAL OR CONSEQUENTIAL DAMAGES ARISING OUT OF THE USE OR INABILITY TO USE THE LIBRARY (INCLUDING BUT NOT LIMITED TO LOSS OF DATA OR DATA BEING RENDERED INACCURATE OR LOSSES SUSTAINED BY YOU OR THIRD PARTIES OR A FAILURE OF THE LIBRARY TO OPERATE WITH ANY OTHER SOFTWARE), EVEN IF SUCH HOLDER OR OTHER PARTY HAS BEEN ADVISED OF THE POSSIBILITY OF SUCH DAMAGES.

END OF TERMS AND CONDITIONS

How to Apply These Terms to Your New Libraries

If you develop a new library, and you want it to be of the greatest possible use to the public, we recommend making it free software that everyone can redistribute and change. You can do so by permitting redistribution under these terms (or, alternatively, under the terms of the ordinary General Public License).

To apply these terms, attach the following notices to the library. It is safest to attach them to the start of each source file to most effectively convey the exclusion of warranty; and each file should have at least the “copyright” line and a pointer to where the full notice is found.

<one line to give the library's name and a brief idea of what it does.>

Copyright (C) <year> <name of author>

This library is free software; you can redistribute it and/or modify it under the terms of the GNU Lesser General Public License as published by the Free Software Foundation; either version 2.1 of the License, or (at your option) any later version.

This library is distributed in the hope that it will be useful, but WITHOUT ANY WARRANTY; without even the implied warranty of MERCHANTABILITY or FITNESS FOR A PARTICULAR PURPOSE. See the GNU Lesser General Public License for more details.

You should have received a copy of the GNU Lesser General Public License along with this library; if not, write to the Free Software Foundation, Inc., 59 Temple Place, Suite 330, Boston, MA 02111-1307 USA

Also add information on how to contact you by electronic and paper mail.

You should also get your employer (if you work as a programmer) or your school, if any, to sign a "copyright disclaimer" for the library, if necessary. Here is a sample; alter the names:

Yoyodyne, Inc., hereby disclaims all copyright interest in the library 'Frob' (a library for tweaking knobs) written by James Random Hacker.

<signature of Ty Coon>, 1 April 1990
Ty Coon, President of Vice

That's all there is to it!

7-Zip Source Notice

The software program used in this product contains 7-Zip library. 7-Zip contains the software granted permission for the usage under the terms of the GNU Lesser General Public License. A copy of appropriate source code is available at customer necessary expense for the distribution.

Please contact our Customer Support Center to obtain a copy. For more information on the GNU Lesser General Public License, visit the GNU's website at <http://www.gnu.org>.

Portions of the software in this product are copyright 1996 – 2007 The FreeType Project (www.freetype.org).

All rights reserved. Licensed under the Free- Type Project LICENSE, 2006-Jan-27. (<http://www.freetype.org/FTL.TXT>)

Ευχαριστούμε για την αγορά αυτού του προϊόντος Pioneer

Διαβάστε όλες αυτές τις οδηγίες λειτουργίας, ώστε να μάθετε πώς να χειρίζεστε σωστά τη συσκευή σας. *Αφού ολοκληρώσετε την ανάγνωση των οδηγιών, διατηρήστε το εγχειρίδιο σε ασφαλές σημείο για μελλοντική αναφορά.*

Προφυλάξεις	10
Πληροφορίες προς τους χρήστες για τη συλλογή και διάθεση παλαιών εξοπλισμών και χρησιμοποιημένων μπαταριών	10
Προειδοποιήσεις για την ενσωματωμένη μπαταρία	10
• Αντικατάσταση της μπαταρίας	11
• Απόρριψη της μπαταρίας	11
Άδεια χρήσης	12
PIONEER AVIC-F220	12
ΟΡΟΙ ΚΑΙ ΔΙΑΤΑΞΕΙΣ ΓΙΑ ΤΑ ΔΕΔΟΜΕΝΑ TELE ATLAS	14
• Όροι Άδειας Τελικού Χρήστη	14
Σχετικά με τη βάση δεδομένων	19
Σχετικά με τα δεδομένα της βάσης δεδομένων του χάρτη	19
Σημαντικές πληροφορίες ασφαλείας	20
Προειδοποιήσεις για την αποσπώμενη συσκευή	21
• Φόρτιση της μπαταρίας της αποσπώμενης συσκευής	22
Λειτουργία Οικολογικής οδήγησης	22
Διαχείριση κατανάλωσης καυσίμων	22
Πληροφορίες για την κίνηση	22
Ένδειξη ορίου ταχύτητας	22
Πρόσθετες πληροφορίες ασφαλείας	23
Σύνδεση χειρόφρενου	23
Για να αποφύγετε την εξάντληση της μπαταρίας	23
Χρήση της υποδοχής κάρτας SD	23
Χρήση της θύρας USB (Mini-B)	23
Επισημάνσεις πριν τη χρήση του συστήματος	24
Σε περίπτωση προβλήματος	24
Επισκεφθείτε την ιστοσελίδα μας	24
Σχετικά με τη συσκευή αυτή	24
Παρεχόμενο CD-ROM	24

Πληροφορίες προς τους χρήστες για τη συλλογή και απόρριψη παλαιού εξοπλισμού και χρησιμοποιημένων μπαταριών

(Σύμβολο για εξοπλισμό)



Αυτά τα σύμβολα στα προϊόντα, τις συσκευασίες ή/και στα συνοδευτικά έγγραφα σημαίνουν ότι τα χρησιμοποιημένα ηλεκτρικά και ηλεκτρονικά προϊόντα και οι μπαταρίες δεν πρέπει να αναμιγνύονται με άλλα οικιακά απορρίμματα.

Για σωστή μεταχείριση, ανάκτηση και ανακύκλωση παλαιών προϊόντων και χρησιμοποιημένων μπαταριών, μεταφέρετέ τα στα κατάλληλα σημεία περισυλλογής, σύμφωνα με την εθνική σας νομοθεσία.

(Παραδείγματα συμβόλων για μπαταρίες)



Pb

Απορρίπτοντας αυτά τα προϊόντα και τις μπαταρίες με σωστό τρόπο, θα συμβάλλετε στη διάσωση πολύτιμων πόρων και στην αποτροπή πιθανών αρνητικών επιπτώσεων στην ανθρώπινη υγεία και στο περιβάλλον που απορρέουν από την ακατάλληλη διαχείριση απορριμμάτων.

Για περισσότερες πληροφορίες σχετικά με την περισυλλογή και ανακύκλωση παλαιών προϊόντων και μπαταριών, επικοινωνήστε με τον τοπικό σας δήμο, την υπηρεσία αποκομιδής απορριμμάτων ή το σημείο πώλησης των προϊόντων.

Αυτά τα σύμβολα ισχύουν μόνο για την Ευρωπαϊκή Ένωση.

Για χώρες εκτός της Ευρωπαϊκής Ένωσης:

Αν επιθυμείτε την απόρριψη αυτών των

προϊόντων, επικοινωνήστε με τις τοπικές αρχές ή τον αντιπρόσωπό σας και ρωτήστε σχετικά με τη σωστή μέθοδο αποκομιδής.

Προειδοποιήσεις για την ενσωματωμένη μπαταρία

⚠ ΚΙΝΔΥΝΟΣ

- Οι μπαταρίες (συστοιχία μπαταριών ή μεμονωμένες μπαταρίες) δεν θα πρέπει να εκτίθενται σε υπερβολική θερμότητα, όπως το ηλιακό φως, η φωτιά ή κάτι παρόμοιο.
- Η μπαταρία μπορεί να εκραγεί εάν αντικατασταθεί με ακατάλληλο τρόπο. Μην αντικαταστήσετε μόνοι σας τη μπαταρία.
- Βεβαιωθείτε ότι με αυτό το προϊόν χρησιμοποιείτε μόνο την ενσωματωμένη μπαταρία. Η χρήση οποιασδήποτε άλλης μπαταρίας είναι επικίνδυνη και ενδέχεται να προκαλέσει δυσλειτουργία.
- Να φυλάτε την μπαταρία μακριά από τα παιδιά, ούτως ώστε να αποφύγετε την πιθανότητα να την καταπιούν κατά λάθος.
- Μην υποβάλλετε την αποσπώμενη συσκευή ή ενσωματωμένη μπαταρία σε τραντάγματα ή χτυπήματα.
- Μη χρησιμοποιείτε μία μπαταρία που έχει υποστεί ζημιά ή έχει διαρροή υγρών. Σε περίπτωση διαρροής υγρών της μπαταρίας, σκουπίστε πολύ καλά την αποσπώμενη συσκευή και επικοινωνήστε με τον αντιπρόσωπό σας ή με το πλησιέστερο Κέντρο Επισκευών της Pioneer.
- Αν μπει στα μάτια σας υγρό από διαρροή, ξεπλύνετέ τα αμέσως με νερό χωρίς να τρίβετε τα μάτια σας.
- Αν υπάρξει διαρροή υγρού μπαταρίας, μην εισπνεύσετε τις αναθυμιάσεις από το υγρό της διαρροής. Αν τις εισπνεύσετε, μπορεί να λιποθυμήσετε.
- Μη χειρίζεστε τη μπαταρία χρησιμοποιώντας μεταλλικά εργαλεία. Μην αποθηκεύετε την μπαταρία μαζί με μεταλλικά υλικά.
- Κατά την απόρριψη των χρησιμοποιημένων μπαταριών, συμμορφωθείτε με τους κρατικούς κανονισμούς ή τους κανόνες των δημόσιων φορέων προστασίας του περιβάλλοντος που ισχύουν στη χώρα / την περιοχή σας.

Αντικατάσταση της μπαταρίας

⚠ ΠΡΟΕΙΔΟΠΟΙΗΣΗ

Μην προσπαθήσετε να αλλάξετε την μπαταρία μόνοι σας, υπό οποιοσδήποτε συνθήκες.

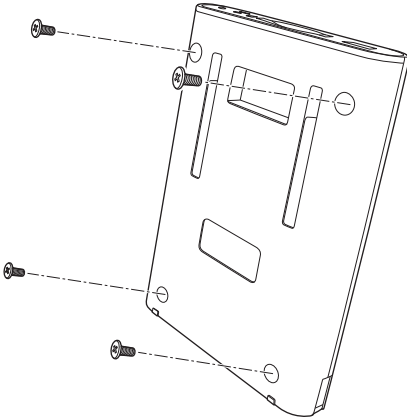
Η αλλαγή της μπαταρίας θα πρέπει να γίνεται μόνο από προσωπικό επισκευών της Pioneer.

Απόρριψη της μπαταρίας

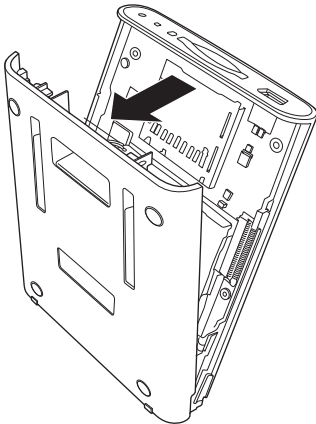
⚠ ΠΡΟΣΟΧΗ

Μην ανοίγετε το κάλυμμα, παρά μόνο όταν απορρίπτετε την μπαταρία.

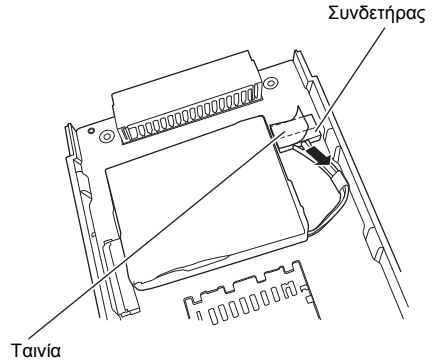
1. Αφαιρέστε τις βίδες στο πίσω μέρος της αποσπώμενης συσκευής.



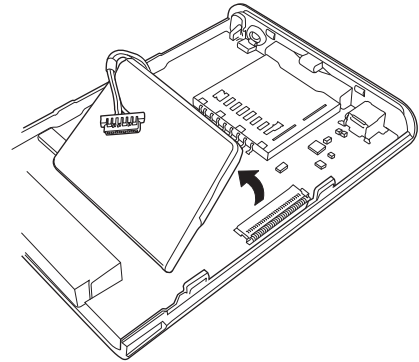
2. Ανοίξτε το πίσω κάλυμμα.



3. Βγάλτε την ταινία και αφαιρέστε το συνδετήρα της μπαταρίας.



4. Αφαιρέστε την μπαταρία.



PIONEER AVIC-F220

ΤΟ ΠΑΡΟΝ ΑΠΟΤΕΛΕΙ ΝΟΜΙΚΟ ΣΥΜΦΩΝΗΤΙΚΟ ΑΝΑΜΕΣΑ ΣΕ ΕΣΑΣ ΩΣ ΤΕΛΙΚΟ ΧΡΗΣΤΗ ΚΑΙ ΤΗΝ PIONEER CORP. (JAPAN) ("PIONEER"). ΠΡΙΝ ΝΑ ΧΡΗΣΙΜΟΠΟΙΗΣΕΤΕ ΤΟ ΛΟΓΙΣΜΙΚΟ ΤΟ ΟΠΟΙΟ ΕΧΕΙ ΕΓΚΑΤΑΣΤΑΘΕΙ ΣΤΑ ΠΡΟΪΟΝΤΑ ΤΗΣ PIONEER ΔΙΑΒΑΣΤΕ ΠΡΟΣΕΚΤΙΚΑ ΤΟΥΣ ΟΡΟΥΣ ΚΑΙ ΤΙΣ ΠΡΟΫΠΟΘΕΣΕΙΣ ΑΥΤΗΣ ΤΗΣ ΣΥΜΦΩΝΙΑΣ. ΧΡΗΣΙΜΟΠΟΙΟΥΝΤΑΣ ΤΟ ΛΟΓΙΣΜΙΚΟ ΠΟΥ ΕΧΕΙ ΕΓΚΑΤΑΣΤΑΘΕΙ ΣΤΑ ΠΡΟΪΟΝΤΑ ΤΗΣ PIONEER, ΣΥΜΦΩΝΕΙΤΕ ΟΤΙ ΔΕΣΜΕΥΕΣΤΕ ΑΠΟ ΤΟΥΣ ΟΡΟΥΣ ΑΥΤΗΣ ΤΗΣ ΣΥΜΦΩΝΙΑΣ. ΤΟ ΛΟΓΙΣΜΙΚΟ ΠΕΡΙΛΑΜΒΑΝΕΙ ΜΙΑ ΒΑΣΗ ΔΕΔΟΜΕΝΩΝ Η ΟΠΟΙΑ ΕΧΕΙ ΑΔΕΙΑ ΧΡΗΣΗΣ ΑΠΟ ΑΛΛΟΝ ΠΡΟΜΗΘΕΥΤΗ(ΕΣ) ("ΠΡΟΜΗΘΕΥΤΕΣ") ΚΑΙ Η ΧΡΗΣΗ ΤΗΣ ΒΑΣΗΣ ΔΕΔΟΜΕΝΩΝ ΚΑΛΥΠΤΕΤΑΙ ΑΠΟ ΤΟΥΣ ΞΕΧΩΡΙΣΤΟΥΣ ΟΡΟΥΣ ΤΟΥ ΠΡΟΜΗΘΕΥΤΗ, ΟΙ ΟΠΟΙΟΙ ΕΧΟΥΝ ΠΡΟΣΑΡΤΗΘΕΙ ΣΕ ΑΥΤΗΝ ΤΗΝ ΣΥΜΦΩΝΙΑ (ανατρέξτε στη σελίδα 14). ΕΑΝ ΔΕ ΣΥΜΦΩΝΕΙΤΕ ΜΕ ΟΛΟΥΣ ΤΟΥΣ ΟΡΟΥΣ, ΕΠΙΣΤΡΕΨΤΕ ΤΑ ΠΡΟΪΟΝΤΑ ΤΗΣ PIONEER (ΣΥΜΠΕΡΙΛΑΜΒΑΝΟΜΕΝΟΥ ΚΑΙ ΤΟΥ ΛΟΓΙΣΜΙΚΟΥ ΚΑΙ ΟΠΟΙΩΝΔΗΠΟΤΕ ΕΓΓΡΑΦΩΝ) ΕΝΤΟΣ ΠΕΝΤΕ (5) ΗΜΕΡΩΝ ΑΠΟ ΤΗΝ ΗΜΕΡΟΜΗΝΙΑ ΠΑΡΑΛΑΒΗΣ ΤΩΝ ΠΡΟΪΟΝΤΩΝ, ΣΤΟΝ ΕΞΟΥΣΙΟΔΟΤΗΜΕΝΟ ΑΝΤΙΠΡΟΣΩΠΟ ΤΗΣ PIONEER ΑΠΟ ΤΟΝ ΟΠΟΙΟ ΤΑ ΑΓΟΡΑΣΑΤΕ.

1. ΕΚΧΩΡΗΣΗ ΑΔΕΙΑΣ

Η Pioneer σας παραχωρεί μία μη μεταβίβασιμη, μη αποκλειστική άδεια για χρήση του λογισμικού που είναι εγκατεστημένο στα προϊόντα της (το "Λογισμικό") και τα σχετικά έγγραφα, αποκλειστικά για δική σας προσωπική χρήση ή για εσωτερική χρήση στην επιχείρησή σας και μόνο στα εν λόγω προϊόντα της Pioneer.

Δεν θα αντιγράψετε, ανασυνθέσετε, μεταφράσετε, εξάγετε, τροποποιήσετε ούτε θα δημιουργήσετε παράγωγα αυτού του Λογισμικού. Δεν θα δανείσετε, ανοικιάσετε, αναδομήσετε, δημοσιεύσετε, πωλήσετε, ανθεώσετε, εκχωρήσετε άδεια, προωθήσετε στο εμπόριο, μεταβιβάσετε το Λογισμικό ούτε θα το χρησιμοποιήσετε με οποιονδήποτε

άλλο τρόπο εκτός από αυτούς που αναφέρονται ρητώς σε αυτήν τη συμφωνία. Δεν θα εξάγετε ούτε θα προσπαθήσετε να εξάγετε τον πηγαίο κώδικα ή τη δομή ολόκληρου ή τμήματος αυτού του Λογισμικού μέσω ανασύνθεσης, ανασυγκρότησης ή οποιουδήποτε άλλου τρόπου. Δεν θα χρησιμοποιήσετε το λογισμικό στη λειτουργία κάποιου γραφείου παροχής υπηρεσιών ή για οποιαδήποτε άλλη χρήση η οποία προϋποθέτει την επτεξεργασία δεδομένων για τρίτους ή άλλους φορείς.

Η Pioneer και ο πάροχος(οι) της άδειας θα διατηρούν όλα τα πνευματικά δικαιώματα, τα εμπορικά μυστικά, τις ευρεσιτεχνίες και άλλα δικαιώματα ιδιοκτησίας πάνω στο Λογισμικό. Αυτό το λογισμικό προστατεύεται και απαγορεύεται η αντιγραφή του ακόμα και αν τροποποιηθεί ή συγχωνευθεί με άλλα προϊόντα. Δεν θα τροποποιήσετε ούτε θα αφαιρέσετε κάποια προειδοποίηση για τα δικαιώματα πνευματικής ιδιοκτησίας ή κάποιο υπόμνημα ιδιοκτησίας που εμπεριέχεται ή περιλαμβάνεται επί του Λογισμικού.

Μπορείτε να μεταβιβάσετε όλα σας τα δικαιώματα χρήσης του Λογισμικού σε κάποιον άλλο, με την προϋπόθεση ότι θα διαβάσει τους όρους και τις προϋποθέσεις αυτής της Άδειας Χρήσης

2. ΑΠΟΠΟΙΗΣΗ ΕΥΘΥΝΩΝ ΤΗΣ ΕΓΓΥΗΣΗΣ

Το Λογισμικό και τα σχετιζόμενα έγγραφα σας παρέχονται "ΩΣ ΕΧΟΥΝ". Η PIONEER ΚΑΙ Ο ΔΙΚΑΙΟΠΑΡΟΧΟΣ(ΟΙ) ΤΗΣ (αναφορικά με τους σκοπούς των προβλέψεων 2 και 3, η Pioneer και ο δικαιοπάροχος(οι) της θα αναφέρονται ομαδικά ως "Pioneer") ΔΕΝ ΣΑΣ ΠΑΡΕΧΟΥΝ ΚΑΠΟΙΑ ΕΓΓΥΗΣΗ, ΕΙΤΕ ΡΗΤΗ ΕΙΤΕ ΠΟΥ ΕΝΝΟΕΙΤΑΙ ΚΑΙ ΕΞΑΙΡΟΥΝΤΑΙ ΡΗΤΩΣ ΟΛΕΣ ΟΙ ΕΓΓΥΗΣΕΙΣ ΕΜΠΟΡΙΚΟΤΗΤΑΣ ΚΑΙ ΚΑΤΑΛΛΗΛΟΤΗΤΑΣ ΓΙΑ ΟΠΟΙΟΔΗΠΟΤΕ ΣΥΓΚΕΚΡΙΜΕΝΟ ΣΚΟΠΟ. ΟΡΙΣΜΕΝΕΣ ΧΩΡΕΣ ΔΕΝ ΕΠΙΤΡΕΠΟΥΝ ΤΗΝ ΕΞΑΙΡΕΣΗ ΤΩΝ ΕΓΓΥΗΣΕΩΝ ΠΟΥ ΕΝΝΟΟΥΝΤΑΙ, ΣΥΝΕΠΩΣ Η ΠΙΟ ΠΑΝΩ ΕΞΑΙΡΕΣΗ ΙΣΩΣ ΝΑ ΜΗΝ ΙΣΧΥΕΙ ΣΤΗΝ ΠΕΡΙΠΤΩΣΗ ΣΑΣ. Το Λογισμικό είναι πολύπλοκο και ενδέχεται να παρουσιάζει κάποιες μη συμμορφώσεις, ελαττώματα ή σφάλματα. Η Pioneer δεν εγγυάται ότι το Λογισμικό θα καλύψει τις ανάγκες ή τις προσδοκίες σας, ότι η λειτουργία του Λογισμικού δεν θα

παρουσιάζει σφάλματα ή θα είναι αδιάλειπτη ή ότι όλες οι μη συμμορφώσεις μπορούν να διορθωθούν ή θα διορθωθούν. Επιπλέον η Pioneer δεν δίνει κάποια εγγύηση ούτε κάνει κάποια περιγραφική σχετικά με τη χρήση, ή τα αποτελέσματα χρήσης του Λογισμικού, όσον αφορά την ορθότητα, την ακρίβεια, την αξιοπιστία, ή οτιδήποτε άλλο.

3. ΠΕΡΙΟΡΙΣΜΟΣ ΕΥΘΥΝΩΝ

ΣΕ ΚΑΜΙΑ ΠΕΡΙΠΤΩΣΗ Η PIONEER ΔΕΝ ΦΕΡΕΙ ΕΥΘΥΝΗ ΓΙΑ ΖΗΜΙΕΣ, ΑΞΙΩΣΕΙΣ Ή ΑΠΩΛΕΙΕΣ ΠΟΥ ΠΡΟΚΛΗΘΗΚΑΝ ΑΠΟ ΕΣΑΣ (ΟΠΩΣ, ΕΝΔΕΙΚΤΙΚΑ ΑΛΛΑ ΟΧΙ ΠΕΡΙΟΡΙΣΤΙΚΑ, ΑΝΤΙΣΤΑΘΜΙΣΤΙΚΕΣ, ΠΑΡΕΠΟΜΕΝΕΣ, ΕΜΜΕΣΕΣ, ΕΙΔΙΚΕΣ, ΑΠΟΘΕΤΙΚΕΣ ΖΗΜΙΕΣ Ή ΖΗΜΙΕΣ ΛΟΓΩ ΠΑΡΑΔΕΙΓΜΑΤΙΚΗΣ ΑΠΟΖΗΜΙΩΣΗΣ, ΑΠΩΛΕΙΑ ΚΕΡΔΩΝ, ΠΩΛΗΣΕΩΝ Ή ΕΡΓΑΣΙΩΝ, ΔΑΠΑΝΕΣ, ΕΠΕΝΔΥΣΕΙΣ Ή ΔΕΣΜΕΥΣΕΙΣ ΓΙΑ ΟΠΟΙΑΔΗΠΟΤΕ ΕΡΓΑΣΙΑ, ΑΠΩΛΕΙΑ ΦΗΜΗΣ ΚΑΙ ΠΕΛΑΤΕΙΑΣ, Ή ΒΛΑΒΕΣ) ΠΟΥ ΑΠΟΡΡΕΟΥΝ ΑΠΟ ΤΗ ΧΡΗΣΗ Ή ΤΗΝ ΑΔΥΝΑΜΙΑ ΧΡΗΣΗΣ ΤΟΥ ΛΟΓΙΣΜΙΚΟΥ, ΑΚΟΜΑ ΚΑΙ ΣΤΗΝ ΠΕΡΙΠΤΩΣΗ ΠΟΥ Η PIONEER ΕΧΕΙ ΕΝΗΜΕΡΩΘΕΙ, ΓΝΩΡΙΖΕ Ή ΘΑ ΕΠΡΕΠΕ ΝΑ ΓΝΩΡΙΖΕΙ ΓΙΑ ΤΗΝ ΠΙΘΑΝΟΤΗΤΑ ΤΕΤΟΙΩΝ ΖΗΜΙΩΝ. Ο ΕΝ ΛΟΓΩ ΠΕΡΙΟΡΙΣΜΟΣ ΙΣΧΥΕΙ ΓΙΑ ΟΛΑ ΤΑ ΑΙΤΙΑ ΣΥΝΟΛΙΚΑ, ΟΠΩΣ, ΕΝΔΕΙΚΤΙΚΑ ΑΛΛΑ ΟΧΙ ΠΕΡΙΟΡΙΣΤΙΚΑ, ΑΘΕΤΗΣΗ ΣΥΜΒΑΣΗΣ, ΑΜΕΛΕΙΑ, ΠΑΡΟΥΣΙΑΣΗ ΨΕΥΔΩΝ ΣΤΟΙΧΕΙΩΝ, ΚΑΙ ΑΛΛΕΣ ΜΟΡΦΕΣ ΑΔΙΚΟΠΡΑΞΙΑΣ. ΕΑΝ Η ΑΠΟΠΟΙΗΣΗ ΕΥΘΥΝΩΝ ΤΗΣ ΕΓΓΥΗΣΗΣ ΤΗΣ PIONEER Ή Ο ΠΕΡΙΟΡΙΣΜΟΣ ΕΥΘΥΝΩΝ ΠΟΥ ΠΑΡΟΥΣΙΑΖΕΤΑΙ ΣΕ ΑΥΤΗΝ ΤΗ ΣΥΜΦΩΝΙΑ ΔΕΝ ΜΠΟΡΕΙ ΝΑ ΕΦΑΡΜΟΣΤΕΙ Ή ΔΕΝ ΕΦΑΡΜΟΖΕΤΑΙ, ΣΥΜΦΩΝΕΙΤΕ ΟΤΙ Η ΕΥΘΥΝΗ ΤΗΣ PIONEER ΔΕΝ ΘΑ ΥΠΕΡΒΕΙ ΤΟ ΠΕΝΗΝΤΑ ΤΟΙΣ ΕΚΑΤΟ (50%) ΤΩΝ ΧΡΗΜΑΤΩΝ ΠΟΥ ΠΛΗΡΩΣΑΤΕ ΓΙΑ ΤΟ ΕΜΠΕΡΙΕΧΟΜΕΝΟ ΠΡΟΪΟΝ ΤΗΣ PIONEER.

Σε ορισμένες χώρες δεν επιτρέπεται η εξαίρεση ούτε ο περιορισμός ευθύνης για παρεπόμενες ή αποθετικές ζημιές, επομένως ο παραπάνω περιορισμός ή η εξαίρεση ίσως να μην ισχύουν για εσάς. Η παρούσα αποποίηση ευθυνών της εγγύησης και ο περιορισμός ευθύνης δεν θα ισχύουν στο βαθμό που κάποια διάταξη της εγγύησης απαγορεύεται από μια χώρα ή τοπική

νομοθεσία που δεν είναι δυνατό να παρακαμφθεί.

4. ΕΓΓΥΗΣΗ ΝΟΜΟΥ ΠΕΡΙ ΕΞΑΓΩΓΩΝ

Συμφωνείτε και βεβαιώνετε ότι ούτε το Λογισμικό ούτε κάποιο άλλο από τα τεχνικά στοιχεία που λάβατε από την Pioneer, ούτε το άμεσο προϊόν αυτών θα εξαχθούν εκτός της χώρας ή της περιφέρειας (η "Χώρα") που κυβερνάται από την κυβέρνηση που έχει δικαιοδοσία σε εσάς (η "Κυβέρνηση"), εκτός εάν έχετε λάβει σχετική εξουσιοδότηση και εφόσον επιτρέπεται από τους νόμους και τους κανονισμούς της Κυβέρνησης. Αν έχετε αποκτήσει το Λογισμικό νόμιμα εκτός της Χώρας, συμφωνείτε να μην επανεξάγετε το Λογισμικό ούτε κάποιο άλλο τεχνικό στοιχείο που λάβατε από την Pioneer, ούτε το άμεσο προϊόν αυτών, εκτός αν επιτρέπεται από τους νόμους και τους κανονισμούς της Κυβέρνησης και από τους νόμους και τους κανονισμούς της δικαιοδοσίας στην οποία αποκτήσατε το Λογισμικό.

5. ΔΙΑΚΟΠΗ ΙΣΧΥΟΣ

Το παρόν Συμφωνητικό ισχύει μέχρι να καταγγελθεί. Μπορείτε να το καταγγείλετε ανά πάσα στιγμή καταστρέφοντας το Λογισμικό. Το Συμφωνητικό παύει να ισχύει αν δεν τηρείτε κάποιους από τους όρους ή τις προϋποθέσεις του. Όταν πάψει να ισχύει, συμφωνείτε να καταστρέψετε το Λογισμικό.

6. ΔΙΑΦΟΡΑ

Το παρόν Συμφωνητικό αποτελεί την πλήρη συμφωνία ανάμεσα στην Pioneer κι εσάς για το θέμα που αναφέρει. Καμία αλλαγή στο παρόν συμφωνητικό δεν θα ισχύει εκτός αν υπάρχει η γραπτή συναίνεση της Pioneer. Αν κάποιος από τους όρους σε αυτό το συμφωνητικό κηρυχτεί άκυρος ή δεν μπορεί να εφαρμοστεί, οι υπόλοιποι όροι του συμφωνητικού θα εξακολουθούν να ισχύουν.

ΟΡΟΙ ΚΑΙ ΔΙΑΤΑΞΕΙΣ ΓΙΑ ΤΑ ΔΕΔΟΜΕΝΑ TELE ATLAS

Οροι Άδειας Τελικού Χρήστη

ΤΟ ΠΑΡΟΝ ΑΠΟΤΕΛΕΙ ΝΟΜΙΚΟ ΣΥΜΦΩΝΗΤΙΚΟ (ΤΟ “ΣΥΜΦΩΝΗΤΙΚΟ”) ΑΝΑΜΕΣΑ ΣΕ ΕΣΑΣ ΩΣ ΤΕΛΙΚΟΣ ΧΡΗΣΤΗΣ, ΤΗΝ PIONEER και τους δικαιούχους της για το προϊόν των Δεδομένων (κάποιες φορές αναφέρονται συλλογικά ως “Δικαιούχοι”). ΧΡΗΣΙΜΟΠΟΙΩΝΤΑΣ ΤΟ ΠΡΟΣΩΠΙΚΟ ΣΑΣ ΑΝΤΙΓΡΑΦΟ ΤΩΝ ΔΕΔΟΜΕΝΩΝ ΤΟ ΟΠΟΙΟ ΕΧΕΙ ΑΔΕΙΑ ΧΡΗΣΗΣ ΣΥΜΦΩΝΕΙΤΕ ΜΕ ΤΟΥΣ ΟΡΟΥΣ ΚΑΙ ΤΙΣ ΠΡΟΫΠΟΘΕΣΕΙΣ ΑΥΤΗΣ ΤΗΣ ΣΥΜΦΩΝΙΑΣ.

1. Εκχώρηση της Άδειας Χρήσης.

Οι δικαιούχοι σας εκχωρούν μία άδεια που δεν μπορεί να μεταβιβαστεί και είναι μη αποκλειστική, για να χρησιμοποιήσετε τα δεδομένα του χάρτη και πληροφορίες για τα σημεία ενδιαφέροντος που αναφέρονται σε επιχειρήσεις (τα “POI”), ιδιοκτησίας της Tele Atlas, (και τα δύο μαζί ως “Δεδομένα”) τα οποία περιέχονται σε αυτούς τους δίσκους, αποκλειστικά για προσωπική, μη εμπορική χρήση και δεν θα τα χρησιμοποιήσετε στη λειτουργία κάποιου γραφείου παροχής υπηρεσιών ή για οποιαδήποτε άλλη χρήση η οποία προϋποθέτει την επεξεργασία δεδομένων τρίτων ή άλλων φορέων. Μπορείτε να δημιουργήσετε μόνο ένα (1) αντίγραφο των Δεδομένων για τήρηση αρχείου ή ως αντιγράφου ασφαλείας, αλλά απαγορεύεται να αντιγράψετε, αναπαράγετε, τροποποιήσετε, δημιουργήσετε παράγωγα, εξάγετε τη δομή ή ανασυνθέσετε τα Δεδομένα. Η χρήση των Δεδομένων περιορίζεται στα προϊόντα της PIONEER. Τα Δεδομένα περιέχουν εμπιστευτικές και ιδιόκτητες πληροφορίες και υλικό και ενδέχεται να περιέχουν εμπορικά μυστικά, συνεισφέροντας συμφωνείτε να διαχειριστείτε τα δεδομένα με εμπιστευτικό τρόπο και να μην τα γνωστοποιήσετε, ή κάποιο τμήμα αυτών με οποιαδήποτε μορφή, ενοικιάσετε, δημοσιεύσετε, εκχωρήσετε την άδεια ούτε να τα μεταβιβάσετε σε οποιονδήποτε άλλο. Απαγορεύεται ρητώς να κάνετε λήψη των ψηφιακών χαρτών και των προγραμμάτων που περιέχονται στα Δεδομένα ή να τα

μεταφέρετε σε κάποιο άλλο ψηφιακό μέσο ή ηλεκτρονικό υπολογιστή. Απαγορεύεται να αφαιρέσετε ή να καλύψετε οποιονδήποτε υπόμνημα σχετικό με πνευματικά δικαιώματα, σήμα κατατεθέν ή περιορισμούς.

2. Ιδιοκτησία.

Τα Δεδομένα προστατεύονται από την Tele Atlas και τους Δικαιούχους της και διατηρούν όλα τα δικαιώματα ιδιοκτησίας των Δεδομένων. Συμφωνείτε ότι δεν θα τροποποιήσετε, αφαιρέσετε ούτε θα καλύψετε κάποια προειδοποίηση για τα δικαιώματα πνευματικής ιδιοκτησίας ή κάποιο υπόμνημα ιδιοκτησίας που εμπεριέχεται ή περιλαμβάνεται επί των Δεδομένων. Τα τρέχοντα δικαιώματα πνευματικής ιδιοκτησίας αναφέρονται στην Παραγραφο 12 παρακάτω.

3. Περιορισμός των Ευθυνών.

Η TELE ATLAS ΚΑΙ ΟΙ ΠΡΟΜΗΘΕΥΤΕΣ ΤΗΣ ΔΕΝ ΦΕΡΟΥΝ ΕΥΘΥΝΗ ΣΤΟΝ ΥΠΟΓΕΓΡΑΜΜΕΝΟ ΓΙΑ ΟΠΟΙΑΔΗΠΟΤΕ ΘΕΤΙΚΗ, ΑΠΟΘΕΤΙΚΗ, ΕΙΔΙΚΗ, ΕΜΜΕΣΗ Ή ΠΑΡΑΔΕΙΓΜΑΤΙΚΗ ΖΗΜΙΑ ΠΟΥ ΠΡΟΚΥΠΤΕΙ ΣΤΟ ΠΛΑΙΣΙΟ ΤΟΥ ΠΑΡΟΝΤΟΣ ΣΥΜΦΩΝΗΤΙΚΟΥ, ΣΥΜΠΕΡΙΛΑΜΒΑΝΟΜΕΝΗΣ ΑΠΩΛΕΙΑΣ ΚΕΡΔΩΝ Ή ΚΟΣΤΟΥΣ ΚΑΛΥΨΗΣ, ΑΠΩΛΕΙΑΣ ΧΡΗΣΗΣ Ή ΕΠΙΧΕΙΡΗΜΑΤΙΚΗΣ ΔΙΑΚΟΠΗΣ Ή ΠΑΡΟΜΟΙΟΥ ΠΕΡΙΣΤΑΤΙΚΟΥ, ΑΝΕΞΑΡΤΗΤΑ ΑΠΟ ΤΟ ΕΑΝ Ο ΣΥΜΒΑΛΛΟΜΕΝΟΣ ΕΙΧΕ ΕΝΗΜΕΡΩΘΕΙ ΓΙΑ ΤΗΝ ΠΙΘΑΝΟΤΗΤΑ ΤΕΤΟΙΩΝ ΖΗΜΙΩΝ.

ΠΑΡΑ ΤΑ ΟΣΑ ΠΕΡΙΛΑΜΒΑΝΟΝΤΑΙ ΠΡΟΣ ΤΟ ΑΝΤΙΘΕΤΟ ΣΤΟ ΠΑΡΟΝ, Η TELE ATLAS ΔΕΝ ΦΕΡΕΙ ΧΡΗΜΑΤΙΚΗ ΕΥΘΥΝΗ ΣΤΟΝ ΥΠΟΓΕΓΡΑΜΜΕΝΟ ΓΙΑ ΟΠΟΙΑΔΗΠΟΤΕ ΑΙΤΙΑ (ΑΝΕΞΑΡΤΗΤΑ ΑΠΟ ΤΗ ΜΟΡΦΗ ΤΗΣ ΕΝΕΡΓΕΙΑΣ) ΣΤΟ ΠΛΑΙΣΙΟ Ή ΣΧΕΤΙΚΑ ΜΕ ΤΟ ΠΑΡΟΝ ΣΥΜΦΩΝΗΤΙΚΟ.

4. Αποποίηση ευθυνών της Εγγύησης.

ΤΑ ΔΕΔΟΜΕΝΑ ΠΑΡΕΧΟΝΤΑΙ “ΩΣ ΕΧΟΥΝ” ΚΑΙ “ΜΕ ΚΑΘΕ ΣΦΑΛΜΑ” ΚΑΙ Η PIONEER, ΟΙ ΔΙΚΑΙΟΥΠΑΡΟΧΟΙ ΤΗΣ ΚΑΙ ΟΙ ΕΞΟΥΣΙΟΔΟΤΗΜΕΝΟΙ ΔΙΑΝΟΜΕΙΣ ΤΗΣ (ΣΥΛΛΟΓΙΚΑ, ΟΙ “ΠΡΟΜΗΘΕΥΤΕΣ”) ΑΠΟΠΟΙΟΥΝΤΑΙ ΡΗΤΑ ΠΑΣΗΣ ΑΛΛΗΣ ΕΓΓΥΗΣΗΣ, ΡΗΤΗΣ Ή ΝΟΟΥΜΕΝΗΣ, ΟΠΩΣ, ΕΝΔΕΙΚΤΙΚΑ ΑΛΛΑ ΟΧΙ ΠΕΡΙΟΡΙΣΤΙΚΑ, ΤΙΣ ΝΟΟΥΜΕΝΕΣ ΕΓΓΥΗΣΕΙΣ ΜΗ ΠΑΡΑΒΙΑΣΗΣ ΔΙΚΑΙΩΜΑΤΩΝ, ΕΜΠΟΡΕΥΣΙΜΟΤΗΤΑΣ,

ΑΠΟΤΕΛΕΣΜΑΤΙΚΟΤΗΤΑΣ, ΠΛΗΡΟΤΗΤΑΣ, ΑΚΡΙΒΕΙΑΣ, ΚΥΡΙΟΤΗΤΑΣ ΚΑΙ ΚΑΤΑΛΛΗΛΟΤΗΤΑΣ ΓΙΑ ΕΝΑ ΣΥΓΚΕΚΡΙΜΕΝΟ ΣΚΟΠΟ. Η PIONEER ΚΑΙ ΟΙ ΔΙΚΑΙΟΠΑΡΟΧΟΙ ΤΗΣ ΔΕΝ ΕΓΓΥΩΝΤΑΙ ΟΤΙ ΤΑ ΔΕΔΟΜΕΝΑ ΘΑ ΚΑΛΥΨΟΥΝ ΤΙΣ ΑΠΑΙΤΗΣΕΙΣ ΣΑΣ Ή ΟΤΙ Η ΛΕΙΤΟΥΡΓΙΑ ΤΩΝ ΔΕΔΟΜΕΝΩΝ ΘΑ ΕΙΝΑΙ ΑΔΙΑΛΕΙΠΤΗ Ή ΔΕΝ ΘΑ ΠΑΡΟΥΣΙΑΖΕΙ ΣΦΑΛΜΑΤΑ. ΚΑΜΙΑ ΠΡΟΦΟΡΙΚΗ Ή ΓΡΑΠΤΗ ΣΥΜΒΟΥΛΗ ΠΟΥ ΔΟΘΗΚΕ ΑΠΟ ΤΗΝ PIONEER, ΤΟΥΣ ΔΙΚΑΙΟΠΑΡΟΧΟΥΣ ΤΗΣ Ή ΑΠΟ ΤΟΥΣ ΑΝΤΙΣΤΟΙΧΟΥΣ ΥΠΑΛΛΗΛΟΥΣ ΤΟΥΣ ΔΕΝ ΔΗΜΙΟΥΡΓΕΙ ΕΓΓΥΣΗ Ή ΑΥΞΑΝΕΙ ΤΙΣ ΕΥΘΥΝΕΣ ΤΗΣ PIONEER, ΤΩΝ ΔΙΚΑΙΟΠΑΡΟΧΩΝ ΤΗΣ Ή ΤΩΝ ΠΡΟΜΗΘΕΥΤΩΝ ΤΗΣ ΚΑΙ ΔΕΝ ΜΠΟΡΕΙΤΕ ΝΑ ΒΑΣΙΣΤΕΙΤΕ ΣΕ ΟΠΟΙΑΔΗΠΟΤΕ ΤΕΤΟΙΑ ΠΛΗΡΟΦΟΡΙΑ Ή ΣΥΜΒΟΥΛΗ. ΑΥΤΗ Η ΑΠΟΠΟΙΗΣΗ ΕΥΘΥΝΩΝ ΑΠΟΤΕΛΕΙ ΒΑΣΙΚΗ ΠΡΟΫΠΟΘΕΣΗ ΑΥΤΗΣ ΤΗΣ ΣΥΜΦΩΝΙΑΣ ΚΑΙ ΒΑΣΕΙ ΑΥΤΗΣ ΑΠΟΔΕΧΕΣΤΕ ΤΑ ΔΕΔΟΜΕΝΑ.

5. Διακοπή ισχύος.

Η Συμφωνία αυτή θα πάψει να ισχύει αμέσως και αυτομάτως, χωρίς προειδοποίηση εάν παραβιάσετε οποιονδήποτε όρο αυτής της Συμφωνίας. Συμφωνείτε ότι εάν η Συμφωνία πάψει να ισχύει θα επιστρέψετε τα Δεδομένα (συμπεριλαμβανομένων και όλων των εγγράφων και αντιγράφων) στην PIONEER και τους προμηθευτές της.

6. Αποζημίωση.

Συμφωνείτε να αποζημιώνετε, να υπερασπίζεστε, να προστατεύετε και να απαλλάσσετε την PIONEER, τους Δικαιοπάροχούς της και τους προμηθευτές της (συμπεριλαμβανομένων των αντίστοιχων δικαιοπάροχων, προμηθευτών, εντολοδόχων, θυγατρικών, συνδεδεμένων εταιρειών αυτών, καθώς και των αντίστοιχων στελεχών, διευθυντών, υπαλλήλων, μετόχων, αντιπροσώπων και εκπροσώπων αυτών) από κάθε ευθύνη, ζημία, τραυματισμό (συμπεριλαμβανομένων των τραυματισμών που οδηγούν σε θάνατο), απαίτηση, δίωξη, δαπάνη, έξοδα ή αξιωματική πάσης φύσεως και χαρακτήρα, όπως ενδεικτικά αλλά όχι περιοριστικά, αμοιβές δικηγόρου που προκύπτουν από ή σε σχέση με τη δική σας χρήση ή κατοχή των Δεδομένων.

7. Επιπρόσθετες Προβλέψεις που ισχύουν μόνο για τα Δεδομένα στη Μεγάλη Βρετανία και τη Βόρεια Ιρλανδία.

- 1 Ο Τελικός Χρήστης απαγορεύεται να αφαιρέσει ή να καλύψει οποιοδήποτε απόμνημα σχετικό με πνευματικά δικαιώματα, σήματα κατατεθέντα ή περιορισμούς που ανήκουν στην Ordnance Survey.
- 2 Αποποιείται πάσης εγγύησης της Ordnance Survey, ρητής ή νοούμενης, όπως, ενδεικτικά αλλά όχι περιοριστικά, τις νοούμενες εγγυήσεις μη παραβίασης δικαιωμάτων, εμπορευσιμότητας, πληρότητας, ακρίβειας και καταλληλότητας για ένα συγκεκριμένο σκοπό. Ο Τελικός Χρήστης αναγνωρίζει ότι η Ordnance Survey δεν προβαίνει σε καμία εγγύηση ή δέσμευση ότι τα δεδομένα Tele Atlas® MultiNet® του Ηνωμένου Βασιλείου είναι πλήρη, ακριβή ή/και ενημερωμένα και αυτό αποτελεί βασική προϋπόθεση των Όρων Χρήστης, με τον Τελικό Χρήστη να αποδέχεται τα δεδομένα Tele Atlas® MultiNet® του Ηνωμένου Βασιλείου σε αυτήν τη βάση. Τα Δεδομένα ενδέχεται να συμπεριλαμβάνουν τα δεδομένα των δικαιοπαρόχων, συμπεριλαμβανομένης και της Ordnance Survey.
- 3 Αποποιείται κάθε ευθύνη της Ordnance Survey αναφορικά με τα δεδομένα Tele Atlas® MultiNet® του Ηνωμένου Βασιλείου.
- 4 Απαγορεύεται η χρήση των δεδομένων Tele Atlas® MultiNet® του Ηνωμένου Βασιλείου σε οποιαδήποτε έντυπη, δημοσιευμένη μορφή που οδηγεί στην ελεύθερη διανομή ή πώληση στο κοινό Προϊόντων Προστιθέμενης Αξίας, χωρίς προηγούμενη άδεια της Ordnance Survey.
- 5 Απαλλάσσεται η Ordnance Survey από κάθε αξίωση, απαίτηση ή αγωγή, ανεξάρτητα από τη φύση της αιτίας της αξίωσης, απαίτησης ή αγωγής που αναφέρει απώλεια, κόστος, δαπάνες, ζημιές ή τραυματισμούς (συμπεριλαμβανομένων αυτών που οδηγούν σε θάνατο) που προκύπτουν από τη χρήση των δεδομένων Tele Atlas® MultiNet® για το Ηνωμένο Βασίλειο.
- 6 Ο Τελικός Χρήστης αποδέχεται την υποχρέωση να παρέχει κατόπιν αιτήματος στην Ordnance Survey, πληροφορίες για προϊόντα ή υπηρεσίες που παρέχει τα οποία περιέχουν και/ή προέρχονται από τα

Προϊόντα με Άδεια χρήσης από την Tele Atlas.

- 7 Σε περίπτωση που ανακαλυφθεί παράβαση των προαναφερθέντων όρων της σύμβασης, ο Τελικός Χρήστης θεωρείται υπεύθυνος απέναντι στην Ordnance Survey.
Ο Τελικός Χρήστης αποδέχεται την υποχρέωση να παρέχει κατόπιν αιτήματος στην Ordnance Survey, πληροφορίες για προϊόντα ή υπηρεσίες που παρέχει τα οποία περιέχουν και/ή προέρχονται από τα Προϊόντα με Άδεια χρήσης.

Σχετικά με τους ελέγχους

Τα δικαιώματα της Tele Atlas όπως ορίζονται στο παρόν Συμφωνητικό ισχύουν και για τους ελεγκτές της Ordnance Survey ή/και το Εθνικό Γραφείο Ελέγχων σε περίπτωση παράδοσης δεδομένων του Ηνωμένου Βασιλείου. Κάθε πληρωτέο ποσό θα υπόκειται σε τόκο δύο τοις εκατό (2%) επί του βασικού επιτοκίου όπως εκάστοτε ισχύει σύμφωνα με τη National Westminster Bank plc από την ημερομηνία αρχικής οφειλής του ποσού έως την ημερομηνία αποπληρωμής του (πριν ή μετά την έκδοση απόφασης).

Η Ordnance Survey ή/και το Εθνικό Γραφείο Ελέγχων θα έχουν το δικαίωμα ελέγχου των βιβλίων ή λογαριασμών των Τελικών Χρηστών άμεσα, με ακριβώς τους ίδιους όρους που ισχύουν για τον Δικαιοδόχο στο παρόν Συμφωνητικό, ώστε η Ordnance Survey να έχει το δικαίωμα ελέγχου οποιονδήποτε παρόχου προϊόντων ή/και υπηρεσιών που περιέχουν ή/και προήλθαν από τα Αδειοδοτημένα Προϊόντα Tele Atlas.

Ο Δικαιοδόχος συμφωνεί δια του παρόντος ότι στην περίπτωση διαπίστωσης αθέτησης, ο αντίστοιχος Τελικός Χρήστης που προέβη σε αυτήν και ο Δικαιοδόχος θα είναι από κοινού υπεύθυνοι προς την Ordnance Survey.

8. Επιπρόσθετες Προβλέψεις που ισχύουν μόνο για τα Δεδομένα στη Νορβηγία.

Απαγορεύεται στον Τελικό Χρήστη να χρησιμοποιήσει τα δεδομένα Tele Atlas® MultiNet® για τη Νορβηγία για να δημιουργήσει εμπορικούς έντυπους ή ψηφιακούς χάρτες γενικής χρήσης, παρόμοιους με τα βασικά εθνικά προϊόντα της Νορβηγικής Αρχής Χαρτογράφησης.

9. Επιπρόσθετοι όροι για τα Σημεία Ενδιαφέροντος (τα "POI") Tele Atlas®

Premium. Αναφορικά με τα Προϊόντα Tele Atlas με Αδειοδότηση POI:

(Οι ακόλουθες προβλέψεις αναφέρονται μόνο στα προϊόντα που περιλαμβάνουν Σημεία Ενδιαφέροντος Tele Atlas® Premium.)

Ο Τελικός Χρήστης συμφωνεί ότι δεν θα προβεί στα κάτωθι:

(α) παρά τα όσα ενδέχεται να ορίζονται προς το αντίθετο στο παρόν, δεν θα αδειοδοτήσει ή παρέχει άλλως τα Προϊόντα Tele Atlas με Αδειοδότηση POI σε τρίτους για τους σκοπούς μεταπώλησης, υποαδειοδότησης, αναδιανομής ή για σύνθεση, ενίσχυση, επαλήθευση, συμπλήρωση, προσθήκη σε ή διαγραφή από οποιαδήποτε λίστα αλληλογραφίας, γεωγραφικό ή εμπορικό κατάλογο, επιχειρηματικό κατάλογο, κατάλογο ευρετηρίου ή διαφημιστικό ευρετήριο που πωλούνται, νοικιάζονται, εκδίδονται, διανέμονται ή παρέχονται με οποιονδήποτε τρόπο σε τρίτους

(β) δεν θα καθιστά διαθέσιμα τα Προϊόντα Tele Atlas με Αδειοδότηση POI σε on-line περιβάλλον, εκτός αν είναι κατάλληλα διασφαλισμένο ή/και κωδικοποιημένο ώστε να μην επιτρέπει την πρόσβαση χρηστών χωρίς εξουσιοδότηση στα Προϊόντα Tele Atlas με Αδειοδότηση POI και

(γ) δεν θα χρησιμοποιεί τα Προϊόντα Tele Atlas με Αδειοδότηση POI, συνολικά ή τμηματικά, ως παράγοντα προκειμένου (i) να αποδείξει την καταλληλότητα ενός ατόμου για πίστωση ή ασφάλιση, (ii) να τεκμηριώσει σύνδεση με τη σύναψη ξεχωριστής ασφάλισης, (iii) να αξιολογήσει ένα άτομο για απασχόληση ή προωθήσεις, εκ νέου ανάθεση ή διατήρηση ως υπάλληλο, (iv) σε σχέση με καθορισμό της καταλληλότητας ενός ατόμου για άδεια ή άλλο όφελος που παρέχεται από κυβερνητική αρχή ή (v) για αναζήτηση κληρονόμων ατόμων που απεβίωσαν.

(δ) δεν θα δημιουργεί ταχυδρομικές λίστες ή λίστες τηλε-πώλησης, εκτός αν υπάρχει αντίστοιχη εξουσιοδότηση στο παρόν Συμφωνητικό.

(ε) ο Τελικός Χρήστης θα τοποθετήσει τα Προϊόντα Tele Atlas με Αδειοδότηση POI στο Διαδίκτυο με προστασία firewall και θα εφαρμόσει ένα σύστημα ελέγχων που θα (i) προστατεύει την ακεραιότητα των Προϊόντων Tele Atlas με Αδειοδότηση POI, (ii) ελέγχει την πρόσβαση στα Προϊόντα Tele Atlas με

Αδειοδότηση POI και (iii) προλαμβάνει τη μη εξουσιοδοτημένη χρήση ή αντιγραφή των Προϊόντων Tele Atlas με Αδειοδότηση POI.

10. Επιπρόσθετοι όροι για το Σύμβολο Επωνυμίας Tele Atlas® Αδειοδοτημένα Προϊόντα Tele Atlas (το “Αδειοδοτημένο Προϊόν Tele Atlas με Σύμβολο Επωνυμίας”):
(Οι ακόλουθες προβλέψεις αναφέρονται μόνο στα προϊόντα που περιλαμβάνουν το Αδειοδοτημένο Προϊόν Tele Atlas® με Σύμβολο Επωνυμίας.)

α Η χρήση του Αδειοδοτημένου Προϊόντος Tele Atlas με Σύμβολο Επωνυμίας και οποιουδήποτε τμήματος αυτού από τον Τελικό Χρήστη, περιορίζεται σε αυτήν που γίνεται αποκλειστικά για τους σκοπούς ενίσχυσης της αξίας ή/και χρήσης των χωρικών διανυσματικών δεδομένων που παρέχονται ή δημιουργούνται από την Tele Atlas. Παρά τα όσα περιέχονται προς το αντίθετο στο παρόν ή σε οποιοδήποτε συννημένο ή έγγραφο αυτού, σε καμία περίπτωση δεν επιτρέπεται στον Τελικό Χρήστη να χρησιμοποιήσει το Αδειοδοτημένο Προϊόν Tele Atlas με Σύμβολο Επωνυμίας ή οποιοδήποτε τμήμα αυτού, σε σχέση ή σε σύνδεση με χωρικά διανυσματικά δεδομένα όταν που παρέχονται ή δημιουργούνται από φορείς εκτός της Tele Atlas. Ο Τελικός Χρήστης μπορεί να χρησιμοποιήσει μόνο τα εικονίδια, τις επωνυμίες, τα λογότυπα, τα σήματα κατατεθέντα ή άλλα χαρακτηριστικά στο πλαίσιο των δεδομένων χάρτη (και όχι ξεχωριστά από αυτά). Επίσης, ο Τελικός Χρήστης απαγορεύεται να τροποποιήσει ή αλλάξει το χρώμα, το σχήμα, το μέγεθος και τη διάταξη του Αδειοδοτημένου Προϊόντος Tele Atlas με Σύμβολο Επωνυμίας, όπως παρέχεται σε αυτόν, χωρίς την προηγούμενη έγγραφη έγκριση της Tele Atlas.

β Ο Δικαιοδόχος συμφωνεί ότι η χρήση του Αδειοδοτημένου Προϊόντος Tele Atlas με Σύμβολο Επωνυμίας, υπόκειται στους όρους και τις διατάξεις που προβλέπονται στο παρόν Συμφωνητικό και ότι μπορεί να υπάρχουν επιπρόσθετοι όροι, διατάξεις και περιορισμοί τρίτων, στους οποίους υπόκειται η χρήση του Αδειοδοτημένου Προϊόντος Tele Atlas με Σύμβολο Επωνυμίας και οι οποίοι θα παρέχονται ανά τακτά διαστήματα στον Τελικό Χρήστη από τον Δικαιοδόχο στις

σημειώσεις κυκλοφορίας που αντιστοιχούν στο Προϊόν Προστιθέμενης Αξίας.

γ Εάν ο Τελικός Χρήστης εισέλθει σε οποιοδήποτε εμπορικό διακανονισμό για διαφήμιση, πληρωμένη καταχώρηση, προώθηση ή παρόμοια έκθεση μάρκετινγκ της επωνυμίας με οποιοσδήποτε ιδιοκτήτης (ή εκπροσώπους αυτών) οποιοδήποτε από τα σύμβολα επωνυμίας που παρέχονται με το Αδειοδοτημένο Προϊόν Tele Atlas με Σύμβολο Επωνυμίας, η Tele Atlas θα εισπράττει τουλάχιστον είκοσι πέντε τοις εκατό (25%) των εσόδων που εισπράττονται στο πλαίσιο οποιουδήποτε τέτοιου εμπορικού διακανονισμού, εκτός αν συμφωνείται άλλως εκ των προτέρων και εγγράφως από τους συμβαλλόμενους.

11. Επιπρόσθετοι όροι αναφορικά με τα Αδειοδοτημένα Προϊόν Tele Atlas® Τρισδιάστατα Ορόσημα (τα “Τρισδιάστατα Ορόσημα”):

(Οι ακόλουθες προβλέψεις αναφέρονται μόνο στα προϊόντα που περιλαμβάνουν το Αδειοδοτημένο Προϊόν Tele Atlas® Τρισδιάστατα Ορόσημα.)

Ο Δικαιοδόχος συμφωνεί να συμπεριλάβει το δυνατόν συντομότερο, αλλά το αργότερο έως την πρώτη νέα κυκλοφορία του Προϊόντος Προστιθέμενης Αξίας που ακολουθεί την παραλαβή από αυτόν οποιωνδήποτε Τρισδιάστατων Ορόσημων, οποιωνδήποτε σημάνσεων δικαιωμάτων πνευματικής ιδιοκτησίας που σχετίζονται με την εμφάνιση τέτοιων ορόσημων σε κάθε Προϊόν Προστιθέμενης Αξίας και στο “πλαίσιο πληροφοριών” του Προϊόντος Προστιθέμενης Αξίας. Παρά τα όσα αναφέρονται παραπάνω, η Tele Atlas διατηρεί το δικαίωμα να αποφασίσει, κατά τη διακριτική της ευχέρεια, να αφαιρέσει συγκεκριμένα Τρισδιάστατα Ορόσημα σε επόμενες κυκλοφορίες των Αδειοδοτημένων Προϊόντων Tele Atlas. Σε αυτήν την περίπτωση, ο Δικαιοδόχος θα αφαιρεί αυτά τα Τρισδιάστατα Ορόσημα από το Προϊόν Προστιθέμενης Αξίας όσο το δυνατόν πιο γρήγορα και το αργότερο έως την πρώτη νέα κυκλοφορία του Προϊόντος Προστιθέμενης Αξίας, μετά την παραλαβή από τον Δικαιοδόχο της Ενημέρωσης για το Αδειοδοτημένο Προϊόν Tele Atlas. Η Tele Atlas δεν θα θεωρείται υπεύθυνη για πιθανές ζημιές, κόστη ή δαπάνες που υπέστη ο Δικαιοδόχος και σχετίζονται με την εν λόγω αφαίρεση Τρισδιάστατου Οροσήμου από την Tele Atlas από το Αδειοδοτημένο Προϊόν Tele

Atlas ή αδυναμία αφαίρεσης Τρισδιάτατου Οροσήμου από τον Δικαιοδότη από το Προϊόν Προσιθέμενης Αξίας.

12. Σημάνσεις Δικαιωμάτων Πνευματικής Ιδιοκτησίας.

Ο Δικαιοδότης θα εμφανίζει σε περίπτωση θέσης κάθε ισχύουσα σημάνση δικαιωμάτων πνευματικής ιδιοκτησίας για τα Αδειοδοτημένα Προϊόντα Tele Atlas στην αρχική οθόνη, στον κώδικα, στο μέσο αποθήκευσης, στη συσκευασία, στην ενότητα "Βοήθεια/Πληροφορίες", στο εγχειρίδιο χρήσης και σε κάθε εμφανιζόμενη ή εκτυπωμένη εικόνα χάρτη, για κάθε Προϊόν Προσιθέμενης Αξίας που βασίζεται σε:

- 1 Tele Atlas® MultiNet® Europe Από την Ημερομηνία Ισχύος, η σημάνση πνευματικών δικαιωμάτων είναι: "Πηγή Δεδομένων © 2009 Tele Atlas B.V."; και επίσης "βασίστηκαν σε":
 - α Tele Atlas® MultiNet® δεδομένα Αυστρίας. Από την Ημερομηνία Ισχύος, η σημάνση δικαιωμάτων πνευματικής ιδιοκτησίας είναι: "© BEV, GZ 1368/2003."
 - β Tele Atlas® MultiNet® δεδομένα Δανίας. Από την Ημερομηνία Ισχύος, η σημάνση δικαιωμάτων πνευματικής ιδιοκτησίας είναι: "© DAV, η καταπάτηση αυτών των δικαιωμάτων πνευματικής ιδιοκτησίας έχει νομικές συνέπειες"
 - γ Tele Atlas® MultiNet® δεδομένα Γαλλίας. Από την Ημερομηνία Ισχύος, η σημάνση δικαιωμάτων πνευματικής ιδιοκτησίας είναι: "© IGN France.", "Michelin data © Michelin 2009"
 - δ Tele Atlas® MultiNet® δεδομένα Ηνωμένου Βασιλείου (εκτός Βόρειας Ιρλανδίας). Από την Ημερομηνία Ισχύος, τίθενται σε ισχύ τα κάτωθι: Αυτό το προϊόν περιλαμβάνει δεδομένα χαρτογράφησης που έχουν παραχωρηθεί από την Ordnance Survey με την άδεια του Ελεγκτή του Τυπογραφείου της Αυτής Μεγαλειότητας. © Crown copyright και/ή δικαιώματα βάσης δεδομένων 2009. Με την επιφύλαξη παντός δικαιώματος. Αριθμός αδείας 100026920.
 - ε Tele Atlas® MultiNet® δεδομένα Βόρειας Ιρλανδίας. Από την Ημερομηνία Ισχύος, η σημάνση δικαιωμάτων πνευματικής ιδιοκτησίας είναι: "Ordnance Survey Βόρειας Ιρλανδίας."

στ Tele Atlas® MultiNet® δεδομένα Νορβηγίας. Από την Ημερομηνία Ισχύος, η σημάνση δικαιωμάτων πνευματικής ιδιοκτησίας είναι: "© Norwegian Mapping Authority, Public Roads Administration / © Mapsolutions."

ζ Tele Atlas® MultiNet® δεδομένα Ρωσίας. Από την Ημερομηνία Ισχύος, η σημάνση δικαιωμάτων πνευματικής ιδιοκτησίας είναι: "© Roskartographia"

η Tele Atlas® MultiNet® δεδομένα Ελβετίας. Από την Ημερομηνία Ισχύος, η σημάνση δικαιωμάτων πνευματικής ιδιοκτησίας είναι: "© Swisstopo."

θ Tele Atlas® MultiNet® δεδομένα Ολλανδίας. Από την Ημερομηνία Ισχύος, η σημάνση δικαιωμάτων πνευματικής ιδιοκτησίας είναι: "Topografische ondergrond Copyright © dienst voor het kadaster en de openbare registers, Apeldoorn 2006."

13. Διάφορα

Αυτή είναι η αποκλειστική και πλήρη Συμφωνία ανάμεσα στους Δικαιοπάροχους και εσάς για το εν λόγω αντικείμενο. Τίποτα στο παρόν Συμφωνητικό δεν συνιστά κοινοπραξία, συνεργασία ή σχέση εντολέα-εντολοδόχου ανάμεσα στους Δικαιοπάροχους και εσάς. Τα άρθρα 2, 5 και 7 - 12 θα εξακολουθούν να ισχύουν και μετά τη λήξη ή διακοπή του παρόντος Συμφωνητικού. Η παρούσα Συμφωνία μπορεί να τροποποιηθεί ή να μεταβληθεί μόνο από την PIONEER. Δεν επιτρέπεται να εκχωρήσετε κάποιο μέρος του παρόντος Συμφωνητικού χωρίς την προηγούμενη γραπτή συγκατάθεση της PIONEER. Αναγνωρίζετε και κατανοείτε ότι τα Δεδομένα ενδέχεται να υπόκεινται σε περιορισμούς όσον αφορά την εξαγωγή τους και συμφωνείτε να τηρείτε τους ισχύοντες νόμους εξαγωγών. Σε περίπτωση που κάποια διάταξη ή τμήμα διάταξης του παρόντος Συμφωνητικού χαρακτηριστεί άκυρη, παράνομη ή ανεφάρμοστη, αυτή ή διάταξη ή το τμήμα της θα διαγραφούν από το παρόν Συμφωνητικό και το υπόλοιπο Συμφωνητικό θα παραμείνει έγκυρο, νόμιμο και εφαρμόσιμο στο μέγιστο δυνατό βαθμό. Οποιαδήποτε κοινοποίηση στο πλαίσιο του παρόντος Συμφωνητικού θα παραδίδεται με ταχυμεταφορά στην PIONEER, Υπόψιν του Νομικού Τμήματος.

Σχετικά με τα δεδομένα της βάσης δεδομένων του χάρτη

- Οι αλλαγές που έχουν σχέση με οδούς, δρόμους/εθνικές οδούς, μορφολογία εδάφους, έργα και άλλα, πριν/κατά τη διάρκεια της περιόδου δημιουργίας ενδέχεται να μην παρουσιάζονται σε αυτήν τη βάση δεδομένων. Αναπόφευκτα αλλαγές που έγιναν μετά την περίοδο δημιουργίας δεν παρουσιάζονται σε αυτήν τη βάση δεδομένων.
- Ανεξάρτητα αν γίνεται αναφορά σε ήδη υπάρχουσες ή νέες κατασκευές, τα δεδομένα ενδέχεται να είναι διαφορετικά από την ισχύουσα κατάσταση.
- Για πληροφορίες σχετικά με την κάλυψη του χάρτη στο συγκεκριμένο σύστημα πλοήγησης, ανατρέξτε στον ιστοχώρο μας.
- Απαγορεύεται αυστηρώς η αναπαραγωγή και η χρήση κάποιου τμήματος ή ολόκληρου του χάρτη σε οποιαδήποτε μορφή δίχως την άδεια του κατόχου των πνευματικών δικαιωμάτων.
- Αν οι τοπικοί κανόνες οδικής κυκλοφορίας ή οι συνθήκες παρουσιάζουν αποκλίσεις από αυτά τα δεδομένα, τηρήστε τους τοπικούς κανόνες οδικής κυκλοφορίας (όπως πινακίδες, σήματα κ.λπ.) και λάβετε υπ' όψιν τις τοπικές συνθήκες (όπως τον καιρό, έργα κ.λπ.).
- Τα δεδομένα των κανόνων οδικής κυκλοφορίας που χρησιμοποιούνται σε αυτόν το χάρτη ισχύουν μόνο για επιβατικά οχήματα συνήθους μεγέθους. Σημειώστε ότι σε αυτήν τη βάση δεδομένων δεν περιλαμβάνονται οι κανόνες που αφορούν μεγαλύτερα οχήματα, μοτοσικλέτες και άλλα μη συνηθισμένα οχήματα.
- Έκδοση Χάρτη, Tele Atlas. Έκδοση 06/2009.



ΠΡΟΕΙΔΟΠΟΙΗΣΗ

- Μην επιχειρήσετε να τοποθετήσετε ή να επισκευάσετε οι ίδιοι το σύστημα πλοήγησης σας. Η τοποθέτηση ή η επισκευή του συστήματος πλοήγησης από άτομα που δεν διαθέτουν εκπαίδευση και εμπειρία στον ηλεκτρονικό εξοπλισμό και τα αξεσουάρ αυτοκινήτου μπορεί να αποβεί επικίνδυνη και να προκαλέσει κίνδυνο ηλεκτροπληξίας ή άλλους κινδύνους.
- Σε περίπτωση που εισχωρήσουν στο σύστημα πλοήγησης υγρά ή ξένα σώματα, σταθμεύστε το όχημα σε ασφαλές μέρος, κλείστε αμέσως το διακόπτη της εκκίνησης (ACC OFF) και συμβουλευθείτε τον αντιπρόσωπό σας ή το πλησιέστερο Κέντρο Επισκευών της Pioneer. Μη χρησιμοποιείτε το σύστημα πλοήγησης σε αυτήν την κατάσταση, γιατί έτσι μπορεί να προκληθεί φωτιά, ηλεκτροπληξία ή βλάβη.
- Εάν παρατηρήσετε καπνό, παράξενο θόρυβο ή οσμή να βγαίνει από το σύστημα πλοήγησης, διακόψτε αμέσως την παροχή ρεύματος και συμβουλευθείτε το κατάστημα πώλησης ή το κοντινότερο κέντρο επισκευών της PIONEER. Η χρήση του συστήματος πλοήγησης σε αυτήν την κατάσταση μπορεί να προκαλέσει μόνιμη βλάβη του συστήματος.
- Μην αποσυναρμολογείτε το σύστημα πλοήγησης και μην κάνετε μετατροπές, καθώς στο εσωτερικό του υπάρχουν στοιχεία με υψηλή τάση, τα οποία μπορούν να προκαλέσουν ηλεκτροπληξία. Συμβουλευθείτε το κατάστημα πώλησης ή το κοντινότερο Κέντρο επισκευών της PIONEER για εσωτερικό έλεγχο, ρυθμίσεις ή επισκευές.
- Μην επιτρέπετε την επαφή της συσκευής αυτής με υγρά. Ενδέχεται να προκληθεί ηλεκτροπληξία. Επίσης, από την επαφή με υγρά ίσως προκληθούν στο συγκεκριμένο προϊόν βλάβες, καπνοί και υπερθέρμανση.

ΠΡΟΣΟΧΗ

- Όταν γίνει ο υπολογισμός για μία διαδρομή, καθορίζονται αυτόματα η οπτική και φωνητική καθοδήγηση για τη διαδρομή. Επίσης, για τους κανονισμούς κυκλοφορίας που αφορούν τη συγκεκριμένη μέρα ή ώρα, λαμβάνονται υπόψη μόνο οι πληροφορίες που αφορούν τους κανονισμούς κυκλοφορίας τη στιγμή υπολογισμού της διαδρομής. Οι μονόδρομοι και οι κλειστοί δρόμοι μπορεί να μην ληφθούν υπόψη. Για παράδειγμα, εάν μία οδός είναι ανοικτή μόνο

το πρωί αλλά φτάσετε σε αυτήν αργότερα, σημειώνεται παραβίαση των κανόνων οδικής κυκλοφορίας και, συνεπώς, δεν μπορείτε να οδηγήσετε στην καθορισμένη διαδρομή. Όταν οδηγείτε, τηρείτε τις πινακίδες οδικής κυκλοφορίας που υπάρχουν στο δρόμο. Το σύστημα ενδέχεται να μην γνωρίζει ορισμένους κανόνες οδικής κυκλοφορίας.

- Μην τοποθετείτε το σύστημα πλοήγησης σε σημεία όπου ενδέχεται να επηρεαστεί από υψηλές θερμοκρασίες ή υγρασία, όπως:
 - Σημεία κοντά σε καλοριφέρ, εξαερισμό ή κλιματιστικό.
 - Σημεία εκτεθειμένα στο άμεσο φως του ήλιου, όπως είναι η επιφάνεια του ταμπλώ οργάνων ή η επιφάνεια πίσω από το κάθισμα των επιβατών.
 - Σημεία που ενδέχεται να εκτίθενται στη βροχή, για παράδειγμα κοντά στην πόρτα ή στο πάτωμα του οχήματος.

Προτού χρησιμοποιήσετε το σύστημα πλοήγησης, βεβαιωθείτε ότι έχετε διαβάσει και κατανοήσει πλήρως τις πληροφορίες ασφαλείας που ακολουθούν:

- Πριν να χρησιμοποιήσετε το σύστημα πλοήγησης διαβάστε όλο το εγχειρίδιο.
- Οι λειτουργίες πλοήγησης του συστήματος πλοήγησης προορίζονται αποκλειστικά ως βοήθημα στο χειρισμό του οχήματός σας. Δεν αποτελούν υποκατάστατο της προσοχής, της κρίσης και της επιμέλειάς σας κατά την οδήγηση.
- Μη χρησιμοποιείτε το σύστημα πλοήγησης εάν αυτό αποσπά με οποιονδήποτε τρόπο την προσοχή σας από τον ασφαλή χειρισμό του οχήματός σας. Τηρείτε πάντοτε τους κανόνες ασφαλούς οδήγησης και τους ισχύοντες κανόνες οδικής κυκλοφορίας. Αν αντιμετωπίσετε δυσκολία στο χειρισμό του συστήματος ή στην ανάγνωση των περιεχομένων της οθόνης, σταθμεύστε το όχημα σε μια ασφαλή θέση και τραβήξτε το χειρόφρενο πριν προβείτε στις απαραίτητες ρυθμίσεις.
- Μην επιτρέπετε ποτέ το χειρισμό του συστήματος σε άτομα που δεν έχουν διαβάσει και κατανοήσει τις οδηγίες χρήσης.
- Μη χρησιμοποιείτε ποτέ αυτό το σύστημα πλοήγησης σε περιπτώσεις έκτακτης ανάγκης για να οδηγήσετε σε νοσοκομεία, αστυνομικά τμήματα ή παρόμοιες υπηρεσίες. Διακόψτε τη χρήση οποιωνδήποτε λειτουργιών που σχετίζονται με την ανοικτή ακρόαση και τηλεφωνήστε στον κατάλληλο τηλεφωνικό αριθμό έκτακτης ανάγκης.

Σημαντικές πληροφορίες ασφαλείας

- ❑ Οι πληροφορίες οδών και η καθοδήγηση που προβάλλονται σε αυτόν τον εξοπλισμό παρέχονται αποκλειστικά για αναφορά. Δεν μπορούν να παρουσάσουν με ακρίβεια τις πιο πρόσφατες επιτρεπόμενες διαδρομές, τις συνθήκες των δρόμων, τους μονόδρομους, τα αδιέξοδα ή τους περιορισμούς της οδικής κυκλοφορίας.
- ❑ Οι περιορισμοί της οδικής κυκλοφορίας και οι υποδείξεις που ισχύουν κάθε φορά, θα πρέπει να έχουν προτεραιότητα σε σχέση με την καθοδήγηση που παρέχει το σύστημα πλοήγησης. Να τηρείτε πάντοτε τους ισχύοντες περιορισμούς της οδικής κυκλοφορίας, ακόμα και αν το σύστημα πλοήγησης παρέχει αντίθετες υποδείξεις.
- ❑ Αν δεν καθορίσετε την σωστή τοπική ώρα, ενδέχεται το σύστημα πλοήγησης να παρέχει λανθασμένες οδηγίες για τη διαδρομή και λανθασμένη καθοδήγηση.
- ❑ Ποτέ μη ρυθμίζετε την ένταση ήχου του συστήματος πλοήγησης σε επίπεδα που να μην σας επιτρέπουν να ακούτε τους ήχους της κυκλοφορίας και τα οχήματα έκτακτης ανάγκης.
- ❑ Ως μέτρο ασφαλείας, κάποιες λειτουργίες είναι απενεργοποιημένες, εκτός αν το όχημα είναι σταματημένο και/ή έχει τραβηχτεί το χειρόφρενο.
- ❑ Τα κωδικοποιημένα δεδομένα της ενσωματωμένης μνήμης αποτελούν πνευματική ιδιοκτησία του παρόχου και ο πάροχος είναι υπεύθυνος για το περιεχόμενο.
- ❑ Φυλάξτε το εγχειρίδιο αυτό σε σημείο που να το βρίσκετε εύκολα όταν χρειάζεται να ανατρέξετε στις οδηγίες χρήσης και τις πληροφορίες ασφαλείας.
- ❑ Δώστε προσοχή σε όλες τις προειδοποιήσεις που περιέχονται στο εγχειρίδιο αυτό και ακολουθήστε πιστά τις οδηγίες.
- ❑ Μην τοποθετείτε το σύστημα πλοήγησης σε σημείο που ενδέχεται (α) να εμποδίζει την ορατότητα του οδηγού, (β) να επηρεάζει τη λειτουργία οποιουδήποτε από τα συστήματα χειρισμού ή ασφαλείας του αυτοκινήτου, συμπεριλαμβανομένων και των αερόσακων ή του διακόπτη ενεργοποίησης των φώτων αλάμ ή (γ) να επηρεάζει την ικανότητα του οδηγού για ασφαλή χειρισμό του οχήματος.
- ❑ Μη ξεχνάτε να χρησιμοποιείτε πάντοτε τη ζώνη ασφαλείας όταν οδηγείτε το όχημά σας. Εάν ποτέ εμπλακείτε σε ατύχημα, οι τραυματισμοί σας μπορεί να είναι σημαντικά σοβαρότεροι εάν η ζώνη σας δεν είναι σωστά ασφαλισμένη.

- ❑ Βεβαιωθείτε ότι έχετε τοποθετήσει την αποσπώμενη συσκευή στη βασική μονάδα όταν τη χρησιμοποιείτε μέσα στο όχημα. Η χρήση αυτής της αποσπώμενης συσκευής όταν δεν είναι καλά τοποθετημένη στη βασική μονάδα ενδέχεται να προκαλέσει ζημιά στη μονάδα σε περίπτωση που υπάρξει απότομο σταμάτημα.
- ❑ Ποτέ μην χρησιμοποιείτε ακουστικά όταν οδηγείτε.

Προειδοποιήσεις για την αποσπώμενη συσκευή

⚠ ΠΡΟΣΟΧΗ

- Μην αφήνετε την αποσπώμενη συσκευή σε σημεία όπου ενδέχεται να επηρεαστεί από υψηλές θερμοκρασίες ή υγρασία, όπως:
 - Σημεία κοντά σε καλοριφέρ, εξερισμό ή κλιματιστικό.
 - Σημεία εκτεθειμένα στο άμεσο φως του ήλιου, όπως είναι η επιφάνεια του ταμπλώ οργάνων ή η επιφάνεια πίσω από το κάθισμα των επιβατών.
 - Σημεία που ενδέχεται να εκτίθενται στη βροχή, για παράδειγμα κοντά στην πόρτα ή στο πάτωμα του οχήματος.
- Προσέξτε να μην αγγίξετε τους ακροδέκτες της αποσπώμενης συσκευής ή της βασικής μονάδας. Αυτό ενδέχεται να προκαλέσει αστοχίες σύνδεσης. Αν οι ακροδέκτες είναι λερωμένοι, σκουπίστε τους με ένα καθαρό στεγνό πανί.
- Πριν αφαιρέσετε την αποσπώμενη συσκευή, απενεργοποιήστε το διακόπτη εκκίνησης (ACC OFF).
- Όταν τοποθετείτε την αποσπώμενη συσκευή, βεβαιωθείτε ότι την τοποθετήσατε στη βασική μονάδα πριν ενεργοποιήσετε το διακόπτη εκκίνησης (ACC ON).
- Αφού αφαιρέσετε την αποσπώμενη συσκευή, φυλάξτε την σε ένα ασφαλές μέρος ώστε να μην γρατζουνιστεί ή υποστεί κάποια ζημιά. Όταν πρόκειται να εξέλθετε από το όχημά σας, αφαιρέστε την αποσπώμενη συσκευή και πάρτε την μαζί σας.
- Μην ασκείτε πίεση όταν την αφαιρείτε ή την τοποθετείτε.
- Να αποφεύγετε να δέχεται η αποσπώμενη συσκευή δυνατά τραντάγματα.

Φόρτιση της μπαταρίας της αποσπώμενης συσκευής

- ❑ Η φόρτιση δεν μπορεί να πραγματοποιηθεί όταν η θερμοκρασία βρίσκεται εκτός των ορίων θερμοκρασίας φόρτισης.
 - Το όριο θερμοκρασίας λειτουργίας της μπαταρίας κυμαίνονται από 0 °C έως +55 °C.
 - Το όριο θερμοκρασίας φόρτισης της μπαταρίας κυμαίνονται από -20 °C έως +60 °C.
- ❑ Η μπαταρία της αποσπώμενης συσκευής φορτίζεται στις ακόλουθες περιπτώσεις.
 - Όταν η αποσπώμενη συσκευή βρίσκεται τοποθετημένη στη βασική μονάδα και το σύστημα πλοήγησης είναι συνδεδεμένο στον δέκτη AV, ενώ ο διακόπτης της εκκίνησης είναι ενεργοποιημένος (ACC ON).
 - Όταν η αποσπώμενη συσκευή είναι συνδεδεμένη στον υπολογιστή.
- ❑ Η διάρκεια ζωής της μπαταρίας είναι περιορισμένη. Η αντοχή μίας φορτισμένης μπαταρίας ελαττώνεται με την επαναλαμβανόμενη φόρτιση. Εάν η φορτισμένη μπαταρία έχει πολύ μικρή διάρκεια, ίσως να βρίσκεται κοντά στο τέλος της ζωής της. Συμβουλευθείτε τον αντιπρόσωπό σας ή το πλησιέστερο Κέντρο Επισκευών της Pioneer και αντικαταστήστε τη με μία καινούργια.
- ❑ Όταν η μπαταρία εξαντληθεί τελείως ή όταν η θερμοκρασία βρίσκεται εκτός των ορίων θερμοκρασίας φόρτισης, δεν μπορεί να γίνει εκκίνηση του συστήματος έως ότου ξεκινήσει η φόρτιση της μπαταρίας. Σε αυτήν την περίπτωση, η εκκίνηση του συστήματος ίσως χρειαστεί μερικά λεπτά.
- ❑ Αν μετά από λίγη ώρα δεν πραγματοποιείται η εκκίνηση του συστήματος πλοήγησης και η ένδειξη ισχύος δεν ανάβει, ίσως απαιτείται αντικατάσταση της μπαταρίας. Επικοινωνήστε με το πλησιέστερο εξουσιοδοτημένο κέντρο επισκευών της Pioneer.

Λειτουργία Οικολογικής οδήγησης

- ❑ Ο υπολογισμός της κατανάλωσης καυσίμου βασίζεται σε μία θεωρητική τιμή η οποία προσδιορίζεται από την ταχύτητα του οχήματος και τις πληροφορίες αναφορικά με τη θέση του, οι οποίες προέρχονται από το σύστημα πλοήγησης. Η κατανάλωση καυσίμου η οποία προβάλλεται αποτελεί

μόνο τιμή αναφοράς και δεν υπάρχει εγγύηση ότι μπορεί να επιτευχθεί.

- ❑ Οι λειτουργίες Οικολογικής οδήγησης αποτελούν υπολογισμούς της αναλογίας μεταξύ της κατανάλωσης καυσίμου σε πραγματικό χρόνο και της μέσης κατανάλωσης καυσίμου και δεν αποτελούν πραγματική τιμή.
- ❑ Οι υπολογισμοί και λειτουργίες Οικολογικής οδήγησης λαμβάνουν υπόψη το στίγμα του συστήματος GPS και την ταχύτητα του οχήματος για τον καθορισμό των τιμών.
- ❑ Οι ενδείξεις αυτής της μονάδας ίσως διαφέρουν από την πραγματική τιμή.
- ❑ Ορισμένες από τις λειτουργίες αυτής της συσκευής δεν λαμβάνουν υπόψη τον τύπο του οχήματος στο οποίο εγκαθίσταται.

Διαχείριση κατανάλωσης καυσίμων

Οι υπολογισμοί αυτοί, βασίζονται αποκλειστικά στις πληροφορίες που εσείς παρέχετε και όχι σε δεδομένα που προέρχονται από το όχημα. Η κατανάλωση καυσίμου η οποία προβάλλεται αποτελεί μόνο τιμή αναφοράς και δεν υπάρχει εγγύηση ότι μπορεί να επιτευχθεί.

Πληροφορίες για την κίνηση

- ❑ Η Pioneer δεν ευθύνεται για την ακρίβεια των πληροφοριών που μεταδίδονται.
- ❑ Η Pioneer δεν ευθύνεται για αλλαγές στις υπηρεσίες πληροφοριών που παρέχονται από ραδιοφωνικούς σταθμούς ή από παρεμφερείς εταιρείες, όπως η ακύρωση υπηρεσιών ή η αλλαγή της υπηρεσίας σε παροχή πληροφοριών επί πληρωμή. Επίσης δεν αποδεχόμαστε την επιστροφή του προϊόντος για αυτόν το λόγο.

Ένδειξη ορίου ταχύτητας

Το όριο ταχύτητας βασίζεται στη βάση δεδομένων του χάρτη. Ενδέχεται το όριο ταχύτητας που υπάρχει στη βάση δεδομένων να είναι διαφορετικό από αυτό που ισχύει στο συγκεκριμένο δρόμο. Δεν είναι μία οριστική τιμή. Να οδηγείτε τηρώντας το ισχύον όριο ταχύτητας.

Σύνδεση χειρόφρενου

Αυτό το σύστημα πλοήγησης λαμβάνει την κατάσταση του χειρόφρενου από το συνδεδεμένο δέκτη AV.

Κάποιες λειτουργίες (όπως κάποιες λειτουργίες πλήκτρων του πίνακα αφής) που προσφέρονται από αυτό το σύστημα πλοήγησης ενδέχεται να είναι επικίνδυνες ή/και παράνομες αν χρησιμοποιούνται κατά τη διάρκεια της οδήγησης. Για να μην επιτρέπεται η χρήση αυτών των λειτουργιών ενώ το όχημα βρίσκεται εν κινήσει, υπάρχει ένα σύστημα σύνδεσης το οποίο ανιχνεύει τότε έχει τραβηχτεί το χειρόφρενο και τότε το όχημα κινείται. Εάν επιχειρήσετε να χρησιμοποιήσετε αυτές τις λειτουργίες ενόσω το όχημα κινείται, θα απενεργοποιηθούν έως ότου σταματήσετε το όχημα (σε ασφαλές σημείο) και τραβήξετε το χειρόφρενο. Πριν λύσετε το χειρόφρενο, έχετε το πεντάλ του φρένου πατημένο.

Όταν τραβάτε το χειρόφρενο για να ενεργοποιήσετε άλλες λειτουργίες που προσφέρονται από το σύστημα πλοήγησης, σταθμεύστε το όχημα σε ασφαλές σημείο και αν βρίσκεται σε κάποιο λόφο ή ενδέχεται να κινηθεί όταν απελευθερώσετε το χειρόφρενο, έχετε πατημένο το πεντάλ του φρένου πριν να λύσετε το χειρόφρενο.

Για να αποφύγετε την εξάντληση της μπαταρίας

Το προϊόν αυτό πρέπει να χρησιμοποιείται με τον κινητήρα του αυτοκινήτου σε λειτουργία. Η χρήση του προϊόντος με τον κινητήρα εκτός λειτουργίας μπορεί να προκαλέσει εξάντληση της μπαταρίας.

⚠️ ΠΡΟΕΙΔΟΠΟΙΗΣΗ

Μην τοποθετείτε αυτό το προϊόν σε οχήματα που δεν διαθέτουν θέση ACC στο διακόπτη εκκίνησης.

Χρήση της υποδοχής κάρτας SD

Η κάρτα μνήμης SD και η κάρτα μνήμης SDHC αναφέρονται ως "κάρτα μνήμης SD".

⚠️ ΠΡΟΣΟΧΗ

- Να φυλάτε την κάρτα μνήμης SD μακριά από τα παιδιά, ούτως ώστε να αποφύγετε την πιθανότητα να την καταπιούν κατά λάθος.
- Για να αποτρέψετε την απώλεια δεδομένων και τυχόν ζημιά στην συσκευή αποθήκευσης, μην την αφαιρείτε ποτέ από το σύστημα πλοήγησης ενόσω γίνεται μεταφορά δεδομένων.
- Εάν για οποιονδήποτε λόγο υπάρξει απώλεια δεδομένων ή καταστροφή της συσκευής αποθήκευσης, συνήθως δεν είναι δυνατή η ανάκτηση των δεδομένων. Η Pioneer δεν αποδέχεται καμία ευθύνη για ζημιές και έξοδα που οφείλονται στην απώλεια δεδομένων ή την καταστροφή.
- Μην εισάγετε ή αφαιρείτε κάρτες μνήμης SD ενώ οδηγείτε.

Χρήση της θύρας USB (Mini-B)

Η θύρα USB (Mini-B) της αποσπώμενης συσκευής χρησιμοποιείται μόνο για τη σύνδεση της αποσπώμενης συσκευής στον υπολογιστή σας. Το σύστημα δεν αναγνωρίζει τη συνδεδεμένη συσκευή αποθήκευσης USB εάν είναι συνδεδεμένη στη θύρα USB.

⚠️ ΠΡΟΣΟΧΗ

- Για να αποφύγετε τυχόν απώλεια και πρόκληση ζημιάς στα δεδομένα της κάρτας μνήμης SD, μην την αφαιρείτε ποτέ από τον υπολογιστή σας όταν μεταφέρονται δεδομένα.
- Εάν για οποιονδήποτε λόγο υπάρξει απώλεια ή καταστροφή των δεδομένων της κάρτας μνήμης SD, συνήθως δεν είναι δυνατή η ανάκτηση των δεδομένων. Η Pioneer δεν αποδέχεται καμία ευθύνη για ζημιές και έξοδα που οφείλονται στην απώλεια δεδομένων ή την καταστροφή.

Σε περίπτωση προβλήματος

Εάν το σύστημα πλοήγησης δεν λειτουργεί κανονικά, επικοινωνήστε με τον αντιπρόσωπο από όπου το αγοράσατε ή με το πλησιέστερο Κέντρο Επισκευών της Pioneer.

Επισκεφθείτε την ιστοσελίδα μας

Επισκεφτείτε μας στην ακόλουθη ιστοσελίδα:

www.pioneer.eu

- Καταχωρήστε το προϊόν σας. Θα φυλάξουμε τα στοιχεία της αγοράς σας σε αρχείο, στο οποίο θα μπορείτε να ανατρέχετε για αυτές τις πληροφορίες σε περίπτωση ασφαλιστικής απαίτησης, όπως απώλεια ή κλοπή.
- Στην ιστοσελίδα μας παρέχουμε τις τελευταίες πληροφορίες για την Pioneer Corporation.

Σχετικά με τη συσκευή αυτή

Αυτό το σύστημα πλοήγησης δεν λειτουργεί κανονικά σε περιοχές εκτός της Ευρώπης. Η λειτουργία RDS (Σύστημα Δεδομένων Ραδιοφώνου) ενεργοποιείται μόνο σε περιοχές όπου οι σταθμοί της μπάντας των FM εκπέμπουν και σήματα RDS. Η υπηρεσία RDS-TMC μπορεί να χρησιμοποιηθεί και σε περιοχές όπου υπάρχουν ραδιοφωνικοί σταθμοί οι οποίοι εκπέμπουν σήμα RDS-TMC.

Παρεχόμενο CD-ROM

Περιβάλλον λειτουργίας

Το παρεχόμενο CD-ROM μπορεί να χρησιμοποιηθεί με Microsoft® Windows® 2000/XP και Apple Mac OS X 10.4.

Απαιτείται το Adobe Reader (Έκδοση 4.0 ή νεότερη) για την ανάγνωση των εγχειριδίων του CD-ROM.

Προφυλάξεις σχετικά με τη χρήση

Το CD-ROM προορίζεται για χρήση με προσωπικό υπολογιστή. Δεν μπορεί να

χρησιμοποιηθεί σε άλλες συσκευές αναπαραγωγής ή μονάδες DVD/CD. Εάν επιχειρήσετε να χρησιμοποιήσετε το CD-ROM με τέτοιο εξοπλισμό, μπορεί να προκαλέσετε βλάβη στα ηχεία ή στην ακοή σας λόγω του πολύ δυνατού ήχου.

Άδεια

Αποδεχτείτε τους πιο κάτω "Όρους χρήσης" πριν χρησιμοποιήσετε το CD-ROM. Μην το χρησιμοποιήσετε εάν δεν αποδέχεστε τους όρους χρήσης του.

Όρους χρήσης

Τα δικαιώματα πνευματικής ιδιοκτησίας των δεδομένων που παρέχονται σε αυτό το CD-ROM ανήκουν στην Pioneer Corporation. Η μη εξουσιοδοτημένη μεταβίβαση, αντιγραφή, αναμετάδοση, δημόσια μετάδοση, μετάφραση, πώληση, ενοίκιαση ή άλλες παρόμοιες ενέργειες που υπερβαίνουν το πεδίο εφαρμογής "προσωπικής χρήσης" ή "παραπομπής", όπως ορίζεται από το Νόμο περί Πνευματικής Ιδιοκτησίας, ενδέχεται να επιφέρουν ποινικές κυρώσεις. Η άδεια χρήσης αυτού του CD-ROM εκχωρείται μέσω άδειας από την Pioneer Corporation.

Δήλωση αποποίησης ευθύνης

Η Pioneer Corporation δεν εγγυάται τη λειτουργία αυτού του CD-ROM σε προσωπικούς υπολογιστές με χρήση οποιωνδήποτε κατάλληλων λειτουργικών συστημάτων. Επίσης, η Pioneer Corporation δεν ευθύνεται για τυχόν βλάβες που προκλήθηκαν κατά τη χρήση αυτού του CD-ROM ούτε αναλαμβάνει την ευθύνη για οποιαδήποτε αποζημίωση.

Σημείωση

- Όταν χρησιμοποιείτε το παρεχόμενο CD-ROM με λειτουργικό σύστημα Mac OS, κάντε διπλό κλικ στο εικονίδιο του CD-ROM για να ξεκινήσετε την εφαρμογή.

Οι ονομασίες των ιδιωτικών εταιριών, των προϊόντων και άλλων φορέων που περιγράφονται στο παρόν έγγραφο αποτελούν σήματα κατατεθέντα ή εμπορικά σήματα των αντίστοιχων εταιριών.

➔ Για περισσότερες πληροφορίες, ανατρέξτε στο Εγχειρίδιο λειτουργίας.

PIONEER CORPORATION

1-1, Shin-Ogura Saiwai-ku, Kawasaki-shi
Kanagawa-ken 212-0031, JAPAN

PIONEER ELECTRONICS (USA) INC.

P.O. Box 1540, Long Beach, California 90801-1540, U.S.A.
TEL: (800) 421-1404

PIONEER EUROPE NV

Haven 1087, Keetberglaan 1, B-9120 Melsele, Belgium
TEL: (0) 3/570.05.11

PIONEER ELECTRONICS ASIACENTRE PTE. LTD.

253 Alexandra Road, #04-01, Singapore 159936
TEL: 65-6472-7555

PIONEER ELECTRONICS AUSTRALIA PTY. LTD.

178-184 Boundary Road, Braeside, Victoria 3195, Australia
TEL: (03) 9586-6300

PIONEER ELECTRONICS OF CANADA, INC.

300 Allstate Parkway, Markham, Ontario L3R OP2, Canada
TEL: 1-877-283-5901

PIONEER ELECTRONICS DE MEXICO, S.A. de C.V.

Blvd. Manuel Avila Camacho 138 10 piso
Col. Lomas de Chapultepec, Mexico, D.F. 11000
TEL: 55-9178-4270

先鋒股份有限公司

總公司: 台北市中山北路二段44號13樓
電話: (02) 2521-3588

先鋒電子(香港)有限公司

香港九龍尖沙咀海港城世界商業中心9樓901-6室
電話: (0852) 2848-6488

www.pioneer.eu