

Pioneer

Vigtige oplysninger for brugeren

SKJULT NAVIGATIONSSYSTEM

AVIC-F220

Glem ikke at registrere dit produkt på www.pioneer.dk (eller www.pioneer.eu)

Husk at læse både denne folder og betjeningsvejledningen på den CD-ROM, der følger med dette navigationssystem! Begge dokumenter indeholder vigtige oplysninger, du skal være bekendt med, før dette navigationssystem bruges.

Dansk

Overensstemmelseserklæring vedrørende R&TTE direktivet 1999/5/EF

Producent:**Pioneer Corporation**

1-1, Shin-ogura, Saiwai-ku, Kawasaki-shi,
Kanagawa 212-0031, Japan

Repræsentant i EU:**Pioneer Europe NV**

Haven 1087, Keetberglaan 1,
9120 Melsele, Belgium
<http://www.pioneer.eu>

**English:**

Hereby, Pioneer, declares that this AVIC-F220 is in compliance with the essential requirements and other relevant provisions of Directive 1999/5/EC.

Suomi:

Pioneer vakuuttaa täten että AVIC-F220 tyyppinen laite on direktiivin 1999/5/EY oleellisten vaatimusten ja sitä koskevien direktiivin muiden ehtojen mukainen.

Nederlands:

Hierbij verklaart Pioneer dat het toestel AVIC-F220 in overeenstemming is met de essentiële eisen en de andere relevante bepalingen van richtlijn 1999/5/EG

Français:

Par la présente Pioneer déclare que l'appareil AVIC-F220 est conforme aux exigences essentielles et aux autres dispositions pertinentes de la directive 1999/5/CE

Svenska:

Härmed intygar Pioneer att denna AVIC-F220 står i överensstämmelse med de väsentliga egenskapskrav och övriga relevanta bestämmelser som framgår av direktiv 1999/5/EG.

Dansk:

Undertegnede Pioneer erklærer herved, at følgende udstyr AVIC-F220 overholder de væsentlige krav og øvrige relevante krav i direktiv 1999/5/EF

Deutsch:

Hiermit erkläre Pioneer, dass sich dieses AVIC-F220 in Übereinstimmung mit den grundlegenden Anforderungen und den anderen relevanten Vorschriften der Richtlinie 1999/5/EG befindet". (BMW)

Ελληνικά:

ΜΕ ΤΗΝ ΠΑΡΟΥΣΑ Pioneer ΔΗΛΩΝΕΙ ΟΤΙ AVIC-F220 ΣΥΜΜΟΡΦΩΝΕΤΑΙ ΠΡΟΣ ΤΙΣ ΟΥΣΙΩΔΕΙΣ ΑΠΑΙΤΗΣΕΙΣ ΚΑΙ ΤΙΣ ΛΟΙΠΕΣ ΣΧΕΤΙΚΕΣ ΔΙΑΤΑΞΕΙΣ ΤΗΣ ΟΔΗΓΙΑΣ 1999/5/ΕΚ

Italiano:

Con la presente Pioneer dichiara che questo AVIC-F220 è conforme ai requisiti essenziali ed alle altre disposizioni pertinenti stabilite dalla direttiva 1999/5/CE.

Español:

Por medio de la presente Pioneer declara que el AVIC-F220 cumple con los requisitos esenciales y cualesquiera otras disposiciones aplicables o exigibles de la Directiva 1999/5/CE

Português:

Pioneer declara que este AVIC-F220 está conforme com os requisitos essenciais e outras disposições da Directiva 1999/5/CE.

Čeština:

Pioneer tímto prohlašuje, že tento AVIC-F220 je ve shodě se základními požadavky a dalšími příslušnými ustanoveními směrnice 1999/5/ES

Eesti:

Käesolevaga kinnitab Pioneer seadme AVIC-F220 vastavust direktiivi 1999/5/EÜ põhinõuetele ja nimetatud direktiivist tulenevatele teistele asjakohastele sätetele.

Magyar:

Alulírott, Pioneer nyilatkozom, hogy a AVIC-F220 megfelel a vonatkozó alapvető követelményeknek és az 1999/5/EC irányelv egyéb előírásainak.

Latviešu valoda:

Ar šo Pioneer deklarē, ka AVIC-F220 atbilst Direktīvas 1999/5/EK būtiskajām prasībām un citiem ar to saistītajiem noteikumiem.

Lietuvių kalba:

Šiuo Pioneer deklaruoją, kad šis AVIC-F220 atitinka esminius reikalavimus ir kitas 1999/5/EB Direktyvos nuostatas.

Malti:

Hawnhekk, Pioneer jiddikjara li dan AVIC-F220 jikkonforma mal-htigijiet essenzjali u ma provvedimenti oħrajn relevanti li hemm fid-Direttiva 1999/5/EC

Slovenščina:

Pioneer týmto vyhlasuje, že AVIC-F220 splňa základné požiadavky a všetky príslušné ustanovenia Smernice 1999/5/ES.

Slovenščina:

Pioneer izjavlja, da je ta AVIC-F220 v skladu z bistvenimi zahtevami in ostalimi relevantnimi določili direktive 1999/5/ES.

Română:

Prin prezenta, Pioneer declara ca acest AVIC-F220 este in conformitate cu cerintele esentiale si alte prevederi ale Directivei 1999/5/EU.

български:

С настоящето, Pioneer декларира, че този AVIC-F220 отговаря на основните изисквания и други съответни постановления на Директива 1999/5/ЕС.

Polski:

Niniejszym Pioneer oświadcza, że AVIC-F220 jest zgodny z zasadniczymi wymogami oraz pozostałymi stosownymi postanowieniami Dyrektywy 1999/5/EC

Norsk:

Pioneer erklærer herved at utstyret AVIC-F220 er i samsvar med de grunnleggende krav og øvrige relevante krav i direktiv 1999/5/EF.

Íslenska:

Hér með lýsir Pioneer yfir því að AVIC-F220 er í samræmi við grunnkröfur og aðrar kröfur, sem gerðar eru í tilskipun 1999/5/EC

7-Zip

License for use and distribution

7-Zip Copyright (C) 1999-2007 Igor Pavlov.

Licenses for files are:

- 1) 7z.dll: GNU LGPL + unRAR restriction
- 2) All other files: GNU LGPL

The GNU LGPL + unRAR restriction means that you must follow both GNU LGPL rules and unRAR restriction rules.

Note:

- You can use 7-Zip on any computer, including a computer in a commercial organization. You don't need to register or pay for 7-Zip.

GNU LGPL information

This library is free software; you can redistribute it and/or modify it under the terms of the GNU Lesser General Public License as published by the Free Software Foundation; either version 2.1 of the License, or (at your option) any later version.

This library is distributed in the hope that it will be useful, but WITHOUT ANY WARRANTY; without even the implied warranty of MERCHANTABILITY or FITNESS FOR A PARTICULAR PURPOSE. See the GNU Lesser General Public License for more details.

You should have received a copy of the GNU Lesser General Public License along with this library; if not, write to the Free Software Foundation, Inc., 59 Temple Place, Suite 330, Boston, MA 02111-1307 USA

unRAR restriction

The decompression engine for RAR archives was developed using source code of unRAR program. All copyrights to original unRAR code are owned by Alexander Roshal.

The license for original unRAR code has the following restriction:

The unRAR sources cannot be used to re-create the RAR compression algorithm, which is proprietary. Distribution of modified unRAR sources in separate form or as a part of other software is permitted, provided that it is clearly stated in the documentation and source comments that the code may not be used to develop a RAR (WinRAR) compatible archiver.

GNU LESSER GENERAL PUBLIC LICENSE

Version 2.1, February 1999

Copyright (C) 1991, 1999 Free Software Foundation, Inc.
59 Temple Place, Suite 330, Boston, MA 02111-1307 USA

Everyone is permitted to copy and distribute

verbatim copies of this license document, but changing it is not allowed.

[This is the first released version of the Lesser GPL. It also counts as the successor of the GNU Library Public License, version 2, hence the version number 2.1.]

Preamble

The licenses for most software are designed to take away your freedom to share and change it. By contrast, the GNU General Public Licenses are intended to guarantee your freedom to share and change free software--to make sure the software is free for all its users.

This license, the Lesser General Public License, applies to some specially designated software packages--typically libraries--of the Free Software Foundation and other authors who decide to use it. You can use it too, but we suggest you first think carefully about whether this license or the ordinary General Public License is the better strategy to use in any particular case, based on the explanations below.

When we speak of free software, we are referring to freedom of use, not price. Our General Public Licenses are designed to make sure that you have the freedom to distribute copies of free software (and charge for this service if you wish); that you receive source code or can get it if you want it; that you can change the software and use pieces of it in new free programs; and that you are informed that you can do these things.

To protect your rights, we need to make restrictions that forbid distributors to deny you these rights or to ask you to surrender these rights. These restrictions translate to certain responsibilities for you if you distribute copies of the library or if you modify it.

For example, if you distribute copies of the library, whether gratis or for a fee, you must give the recipients all the rights that we gave you. You must make sure that they, too, receive or can get the source code. If you link other code with the library, you must provide complete object files to the recipients, so that they can relink them with the library after making changes to the library and recompiling it. And you must show them these terms so they know their rights.

We protect your rights with a two-step method: (1) we copyright the library, and (2) we offer you this license, which gives you legal permission to copy, distribute and/or modify the library.

To protect each distributor, we want to make it very clear that there is no warranty for the free library. Also, if the library is modified by someone else and passed on, the recipients should know that what they have is not the original version, so that the original author's reputation will not be affected by problems that might be introduced by others.

Finally, software patents pose a constant threat to the existence of any free program. We wish to make sure that a company cannot effectively restrict the users of a free program by obtaining a restrictive license from a patent holder. Therefore, we insist that any patent license obtained for a version of the library must be consistent with the full freedom of use specified in this license.

Most GNU software, including some libraries, is covered by the ordinary GNU General Public License. This license, the GNU Lesser General Public License, applies to certain designated libraries, and is quite different from the ordinary General Public License. We use this license for certain libraries in order to permit linking those libraries into non-free programs.

When a program is linked with a library, whether statically or using a shared library, the combination of the two is legally speaking a combined work, a derivative of the original library. The ordinary General Public License therefore permits such linking only if the entire combination fits its criteria of freedom. The Lesser General Public License permits more lax criteria for linking other code with the library.

We call this license the “Lesser” General Public License because it does Less to protect the user’s freedom than the ordinary General Public License. It also provides other free software developers Less of an advantage over competing non-free programs. These disadvantages are the reason we use the ordinary General Public License for many libraries. However, the Lesser license provides advantages in certain special circumstances.

For example, on rare occasions, there may be a special need to encourage the widest possible use of a certain library, so that it becomes a de-facto standard. To achieve this, non-free programs must be allowed to use the library. A more frequent case is that a free library does the same job as widely used non-free libraries. In this case, there is little to gain by limiting the free library to free software only, so we use the Lesser General Public License.

In other cases, permission to use a particular library in non-free programs enables a greater number of people to use a large body of free software. For example, permission to use the GNU C Library in non-free programs enables many more people to use the whole GNU operating system, as well as its variant, the GNU/Linux operating system.

Although the Lesser General Public License is Less protective of the users’ freedom, it does ensure that the user of a program that is linked with the Library has the freedom and the wherewithal to run that program using a modified version of the Library.

The precise terms and conditions for copying, distribution and modification follow. Pay close attention to the difference between a “work based on the library” and a “work that uses the library”. The former contains code derived from the library,

whereas the latter must be combined with the library in order to run.

GNU LESSER GENERAL PUBLIC LICENSE

TERMS AND CONDITIONS FOR COPYING, DISTRIBUTION AND MODIFICATION

0. This License Agreement applies to any software library or other program which contains a notice placed by the copyright holder or other authorized party saying it may be distributed under the terms of this Lesser General Public License (also called “this License”).

Each licensee is addressed as “you”.

A “library” means a collection of software functions and/or data prepared so as to be conveniently linked with application programs (which use some of those functions and data) to form executables.

The “Library”, below, refers to any such software library or work which has been distributed under these terms. A “work based on the Library” means either the Library or any derivative work under copyright law: that is to say, a work containing the Library or a portion of it, either verbatim or with modifications and/or translated straightforwardly into another language. (Hereinafter, translation is included without limitation in the term “modification”.)

“Source code” for a work means the preferred form of the work for making modifications to it. For a library, complete source code means all the source code for all modules it contains, plus any associated interface definition files, plus the scripts used to control compilation and installation of the library.

Activities other than copying, distribution and modification are not covered by this License; they are outside its scope. The act of running a program using the Library is not restricted, and output from such a program is covered only if its contents constitute a work based on the Library (independent of the use of the Library in a tool for writing it). Whether that is true depends on what the Library does and what the program that uses the Library does.

1. You may copy and distribute verbatim copies of the Library’s complete source code as you receive it, in any medium, provided that you conspicuously and appropriately publish on each copy an appropriate copyright notice and disclaimer of warranty; keep intact all the notices that refer to this License and to the absence of any warranty; and distribute a copy of this License along with the Library.

You may charge a fee for the physical act of transferring a copy, and you may at your option offer warranty protection in exchange for a fee.

2. You may modify your copy or copies of the Library or any portion of it, thus forming a work based on the Library, and copy and distribute such modifications

or work under the terms of Section 1 above, provided that you also meet all of these conditions:

- a) The modified work must itself be a software library.
- b) You must cause the files modified to carry prominent notices stating that you changed the files and the date of any change.
- c) You must cause the whole of the work to be licensed at no charge to all third parties under the terms of this License.
- d) If a facility in the modified Library refers to a function or a table of data to be supplied by an application program that uses the facility, other than as an argument passed when the facility is invoked, then you must make a good faith effort to ensure that, in the event an application does not supply such function or table, the facility still operates, and performs whatever part of its purpose remains meaningful.

(For example, a function in a library to compute square roots has a purpose that is entirely well-defined independent of the application.

Therefore, Subsection 2d requires that any application-supplied function or table used by this function must be optional: if the application does not supply it, the square root function must still compute square roots.)

These requirements apply to the modified work as a whole. If identifiable sections of that work are not derived from the Library, and can be reasonably considered independent and separate works in themselves, then this License, and its terms, do not apply to those sections when you distribute them as separate works. But when you distribute the same sections as part of a whole which is a work based on the Library, the distribution of the whole must be on the terms of this License, whose permissions for other licensees extend to the entire whole, and thus to each and every part regardless of who wrote it.

Thus, it is not the intent of this section to claim rights or contest your rights to work written entirely by you; rather, the intent is to exercise the right to control the distribution of derivative or collective works based on the Library.

In addition, mere aggregation of another work not based on the Library with the Library (or with a work based on the Library) on a volume of a storage or distribution medium does not bring the other work under the scope of this License.

3. You may opt to apply the terms of the ordinary GNU General Public License instead of this License to a given copy of the Library. To do this, you must alter all the notices that refer to this License, so that they refer to the ordinary GNU General Public License, version 2, instead of to this License. (If a newer version than version 2 of the ordinary GNU General Public License has appeared, then you can specify that version instead if you wish.) Do not make any other change in these notices.

Once this change is made in a given copy, it is irreversible for that copy, so the ordinary GNU General Public License applies to all subsequent copies and derivative works made from that copy.

This option is useful when you wish to copy part of the code of the Library into a program that is not a library.

4. You may copy and distribute the Library (or a portion or derivative of it, under Section 2) in object code or executable form under the terms of Sections 1 and 2 above provided that you accompany it with the complete corresponding machine-readable source code, which must be distributed under the terms of Sections 1 and 2 above on a medium customarily used for software interchange.

If distribution of object code is made by offering access to copy from a designated place, then offering equivalent access to copy the source code from the same place satisfies the requirement to distribute the source code, even though third parties are not compelled to copy the source along with the object code.

5. A program that contains no derivative of any portion of the Library, but is designed to work with the Library by being compiled or linked with it, is called a “work that uses the Library”. Such a work, in isolation, is not a derivative work of the Library, and therefore falls outside the scope of this License.

However, linking a “work that uses the Library” with the Library creates an executable that is a derivative of the Library (because it contains portions of the Library), rather than a “work that uses the library”. The executable is therefore covered by this License. Section 6 states terms for distribution of such executables.

When a “work that uses the Library” uses material from a header file that is part of the Library, the object code for the work may be a derivative work of the Library even though the source code is not.

Whether this is true is especially significant if the work can be linked without the Library, or if the work is itself a library. The threshold for this to be true is not precisely defined by law.

If such an object file uses only numerical parameters, data structure layouts and accessors, and small macros and small inline functions (ten lines or less in length), then the use of the object file is unrestricted, regardless of whether it is legally a derivative work. (Executables containing this object code plus portions of the Library will still fall under Section 6.)

Otherwise, if the work is a derivative of the Library, you may distribute the object code for the work under the terms of Section 6.

Any executables containing that work also fall under Section 6, whether or not they are linked directly with the Library itself.

6. As an exception to the Sections above, you may also combine or link a “work that uses the Library”

with the Library to produce a work containing portions of the Library, and distribute that work under terms of your choice, provided that the terms permit modification of the work for the customer's own use and reverse engineering for debugging such modifications.

You must give prominent notice with each copy of the work that the Library is used in it and that the Library and its use are covered by this License. You must supply a copy of this License. If the work during execution displays copyright notices, you must include the copyright notice for the Library among them, as well as a reference directing the user to the copy of this License. Also, you must do one of these things:

- a) Accompany the work with the complete corresponding machine-readable source code for the Library including whatever changes were used in the work (which must be distributed under Sections 1 and 2 above); and, if the work is an executable linked with the Library, with the complete machine-readable "work that uses the Library", as object code and/or source code, so that the user can modify the Library and then relink to produce a modified executable containing the modified Library. (It is understood that the user who changes the contents of definitions files in the Library will not necessarily be able to recompile the application to use the modified definitions.)
- b) Use a suitable shared library mechanism for linking with the Library. A suitable mechanism is one that (1) uses at run time a copy of the library already present on the user's computer system, rather than copying library functions into the executable, and (2) will operate properly with a modified version of the library, if the user installs one, as long as the modified version is interface-compatible with the version that the work was made with.
- c) Accompany the work with a written offer, valid for at least three years, to give the same user the materials specified in Subsection 6a, above, for a charge no more than the cost of performing this distribution.
- d) If distribution of the work is made by offering access to copy from a designated place, offer equivalent access to copy the above specified materials from the same place.
- e) Verify that the user has already received a copy of these materials or that you have already sent this user a copy.

For an executable, the required form of the "work that uses the Library" must include any data and utility programs needed for reproducing the executable from it. However, as a special exception, the materials to be distributed need not include anything that is normally distributed (in either source or binary form) with the major components (compiler, kernel, and so on) of the operating system on which

the executable runs, unless that component itself accompanies the executable.

It may happen that this requirement contradicts the license restrictions of other proprietary libraries that do not normally accompany the operating system. Such a contradiction means you cannot use both them and the Library together in an executable that you distribute.

7. You may place library facilities that are a work based on the Library side-by-side in a single library together with other library facilities not covered by this License, and distribute such a combined library, provided that the separate distribution of the work based on the Library and of the other library facilities is otherwise permitted, and provided that you do these two things:

- a) Accompany the combined library with a copy of the same work based on the Library, uncombined with any other library facilities. This must be distributed under the terms of the Sections above.
- b) Give prominent notice with the combined library of the fact that part of it is a work based on the Library, and explaining where to find the accompanying uncombined form of the same work.

8. You may not copy, modify, sublicense, link with, or distribute the Library except as expressly provided under this License. Any attempt otherwise to copy, modify, sublicense, link with, or distribute the Library is void, and will automatically terminate your rights under this License. However, parties who have received copies, or rights, from you under this License will not have their licenses terminated so long as such parties remain in full compliance.

9. You are not required to accept this License, since you have not signed it. However, nothing else grants you permission to modify or distribute the Library or its derivative works. These actions are prohibited by law if you do not accept this License. Therefore, by modifying or distributing the Library (or any work based on the Library), you indicate your acceptance of this License to do so, and all its terms and conditions for copying, distributing or modifying the Library or works based on it.

10. Each time you redistribute the Library (or any work based on the Library), the recipient automatically receives a license from the original licensor to copy, distribute, link with or modify the Library subject to these terms and conditions. You may not impose any further restrictions on the recipients' exercise of the rights granted herein. You are not responsible for enforcing compliance by third parties with this License.

11. If, as a consequence of a court judgment or allegation of patent infringement or for any other reason (not limited to patent issues), conditions are imposed on you (whether by court order, agreement or otherwise) that contradict the conditions of this License, they do not excuse you from the conditions of this License. If you cannot distribute so as to

satisfy simultaneously your obligations under this License and any other pertinent obligations, then as a consequence you may not distribute the Library at all. For example, if a patent license would not permit royalty-free redistribution of the Library by all those who receive copies directly or indirectly through you, then the only way you could satisfy both it and this License would be to refrain entirely from distribution of the Library.

If any portion of this section is held invalid or unenforceable under any particular circumstance, the balance of the section is intended to apply, and the section as a whole is intended to apply in other circumstances.

It is not the purpose of this section to induce you to infringe any patents or other property right claims or to contest validity of any such claims; this section has the sole purpose of protecting the integrity of the free software distribution system which is implemented by public license practices. Many people have made generous contributions to the wide range of software distributed through that system in reliance on consistent application of that system; it is up to the author/donor to decide if he or she is willing to distribute software through any other system and a licensee cannot impose that choice.

This section is intended to make thoroughly clear what is believed to be a consequence of the rest of this License.

12. If the distribution and/or use of the Library is restricted in certain countries either by patents or by copyrighted interfaces, the original copyright holder who places the Library under this License may add an explicit geographical distribution limitation excluding those countries, so that distribution is permitted only in or among countries not thus excluded. In such case, this License incorporates the limitation as if written in the body of this License.

13. The Free Software Foundation may publish revised and/or new versions of the Lesser General Public License from time to time. Such new versions will be similar in spirit to the present version, but may differ in detail to address new problems or concerns.

Each version is given a distinguishing version number. If the Library specifies a version number of this License which applies to it and “any later version”, you have the option of following the terms and conditions either of that version or of any later version published by the Free Software Foundation. If the Library does not specify a license version number, you may choose any version ever published by the Free Software Foundation.

14. If you wish to incorporate parts of the Library into other free programs whose distribution conditions are incompatible with these, write to the author to ask for permission. For software which is copyrighted by the Free Software Foundation, write to the Free Software Foundation; we sometimes make exceptions for this. Our decision will be guided by the two goals of preserving the free status of all

derivatives of our free software and of promoting the sharing and reuse of software generally.

NO WARRANTY

15. BECAUSE THE LIBRARY IS LICENSED FREE OF CHARGE, THERE IS NO WARRANTY FOR THE LIBRARY, TO THE EXTENT PERMITTED BY APPLICABLE LAW.

EXCEPT WHEN OTHERWISE STATED IN WRITING THE COPYRIGHT HOLDERS AND/OR OTHER PARTIES PROVIDE THE LIBRARY “AS IS” WITHOUT WARRANTY OF ANY KIND, EITHER EXPRESSED OR IMPLIED, INCLUDING, BUT NOT LIMITED TO, THE IMPLIED WARRANTIES OF MERCHANTABILITY AND FITNESS FOR A PARTICULAR PURPOSE. THE ENTIRE RISK AS TO THE QUALITY AND PERFORMANCE OF THE LIBRARY IS WITH YOU. SHOULD THE LIBRARY PROVE DEFECTIVE, YOU ASSUME THE COST OF ALL NECESSARY SERVICING, REPAIR OR CORRECTION.

16. IN NO EVENT UNLESS REQUIRED BY APPLICABLE LAW OR AGREED TO IN WRITING WILL ANY COPYRIGHT HOLDER, OR ANY OTHER PARTY WHO MAY MODIFY AND/OR REDISTRIBUTE THE LIBRARY AS PERMITTED ABOVE, BE LIABLE TO YOU FOR DAMAGES, INCLUDING ANY GENERAL, SPECIAL, INCIDENTAL OR CONSEQUENTIAL DAMAGES ARISING OUT OF THE USE OR INABILITY TO USE THE LIBRARY (INCLUDING BUT NOT LIMITED TO LOSS OF DATA OR DATA BEING RENDERED INACCURATE OR LOSSES SUSTAINED BY YOU OR THIRD PARTIES OR A FAILURE OF THE LIBRARY TO OPERATE WITH ANY OTHER SOFTWARE), EVEN IF SUCH HOLDER OR OTHER PARTY HAS BEEN ADVISED OF THE POSSIBILITY OF SUCH DAMAGES.

END OF TERMS AND CONDITIONS

How to Apply These Terms to Your New Libraries

If you develop a new library, and you want it to be of the greatest possible use to the public, we recommend making it free software that everyone can redistribute and change. You can do so by permitting redistribution under these terms (or, alternatively, under the terms of the ordinary General Public License).

To apply these terms, attach the following notices to the library. It is safest to attach them to the start of each source file to most effectively convey the exclusion of warranty; and each file should have at least the “copyright” line and a pointer to where the full notice is found.

<one line to give the library's name and a brief idea of what it does.>
Copyright (C) <year> <name of author>

This library is free software; you can redistribute it and/or modify it under the terms of the GNU Lesser General Public License as published by the Free Software Foundation; either version 2.1 of the License, or (at your option) any later version.

This library is distributed in the hope that it will be useful, but WITHOUT ANY WARRANTY; without even the implied warranty of MERCHANTABILITY or FITNESS FOR A PARTICULAR PURPOSE. See the GNU Lesser General Public License for more details.

You should have received a copy of the GNU Lesser General Public License along with this library; if not, write to the Free Software Foundation, Inc., 59 Temple Place, Suite 330, Boston, MA 02111-1307 USA

Also add information on how to contact you by electronic and paper mail.

You should also get your employer (if you work as a programmer) or your school, if any, to sign a "copyright disclaimer" for the library, if necessary. Here is a sample; alter the names:

Yoyodyne, Inc., hereby disclaims all copyright interest in the library 'Frob' (a library for tweaking knobs) written by James Random Hacker.

<signature of Ty Coon>, 1 April 1990
Ty Coon, President of Vice

That's all there is to it!

7-Zip Source Notice

The software program used in this product contains 7-Zip library. 7-Zip contains the software granted permission for the usage under the terms of the GNU Lesser General Public License. A copy of appropriate source code is available at customer necessary expense for the distribution.

Please contact our Customer Support Center to obtain a copy. For more information on the GNU Lesser General Public License, visit the GNU's website at <http://www.gnu.org>.

Portions of the software in this product are copyright 1996 – 2007 The FreeType Project (www.freetype.org).

All rights reserved. Licensed under the Free- Type Project LICENSE, 2006-Jan-27. (<http://www.freetype.org/FTL.TXT>)

Tak, fordi du købte dette Pioneer produkt

Læs venligst denne betjeningsvejledning igennem, så du ved, hvordan modellen betjenes korrekt.
Opbevar denne vejledning et sikkert sted til senere brug, når du er færdig med at læse instrukserne.

Forholdsregel	10
Oplysninger til brugere om indsamling og bortskaffelse af gammelt udstyr og brugte batterier	10
Forholdsregler for det indbyggede batteri	10
• Udskiftning af batteriet	10
• Sådan kasseres batteriet	11
Licensaftale	12
PIONEER AVIC-F220	12
VILKÅR OG BETINGELSER FOR TELE ATLAS-DATA	14
• Licensbetingelser for slutbrugere	14
Om databasen	19
Om dataene for kortdatabasen	19
Vigtige sikkerhedsoplysninger	20
Advarsler vedrørende den aftagelige enhed	21
• Sådan oplades den aftagelige enheds batteri	21
Eco-kørselsfunktion	22
Administration af benzinomkostninger	22
Trafikmeddelelser	22
Markering af fartgrænse	22
Yderligere sikkerhedsoplysninger	23
Håndbremselås	23
Sådan undgås et tømt batteri	23
Sådan håndteres SD-kortåbningen	23
Håndtering af USB-porten (mini-B)	23
Bemærkninger før brug af systemet	24
I tilfælde af problemer	24
Besøg vores website	24
Om dette produkt	24
Medfølgende CD-ROM	24

Oplysninger til brugere om indsamling og bortskaffelse af gammelt udstyr og brugte batterier

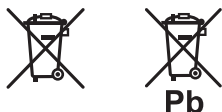
(Symbol for udstyr)



Disse symboler på produkterne, emballagen og/eller vedlagte dokumenter betyder, at brugte elektriske og elektroniske produkter og batterier ikke bør blandes sammen med almindeligt husholdningsaffald.

For korrekt behandling, genindvinding og genbrug af gamle produkter og brugte batterier bedes de afleveret til de respektive indsamlingssteder i overensstemmelse med den nationale lovgivning.

(Symboleksampler for batterier)



Ved at bortskaffe disse produkter og batterier korrekt hjælper du med at spare på værdifulde ressourcer og undgå potentielle negative virkninger på menneskers sundhed og miljøet, som ellers kan være konsekvensen af forkert behandling af affald.

For yderligere oplysninger om indsamling af gamle produkter og batterier bedes du kontakte din kommune, dit renovationselskab eller det sted, hvor du har erhvervet emnerne.

Disse symboler gælder kun inden for den Europæiske Union.

For lande udenfor den Europæiske Union:

Hvis du ønsker at bortskaffe disse emner, bedes du kontakte de lokale myndigheder eller din forhandler og bede om oplysninger om den korrekte bortskaffelsesmetode.

Forholdsregler for det indbyggede batteri

⚠ FARE

- Batterier (batteripakke eller installerede batterier) må ikke udsættes for meget stærk varme, såsom solskin, brand eller lignende.
- Batteriet kan eksplodere, hvis det skiftes ud på en forkert måde. Skift ikke batteriet ud selv.
- Sørg for kun at bruge det indbyggede batteri af dette produkt. Det kan være farligt at bruge et andet batteri og medføre funktionsfejl.
- Opbevar batteriet uden for små børns rækkevidde, så de ikke kommer til at sluge det ved et uheld.
- Den aftagelige enhed eller selve det indbyggede batteri må ikke udsættes for stød eller slag.
- Brug aldrig et beskadiget eller utæt batteri. Hvis et batteri er utæt, skal den aftagelige enhed tørres helt af, og du bedes kontakte din forhandler eller den nærmeste autoriserede Pioneer-serviceafdeling.
- Hvis man får væske fra batteriet i øjnene, skal man straks skylle dem med vand uden at gnide øjnene.
- Hvis batterier er utæt, må man ikke indånde dampene fra den udflydende væske. Indånding kan forårsage bevidstløshed.
- Batteriet må ikke håndteres med værktøj af metal. Batteriet må ikke opbevares sammen med metalgenstande.
- Når brugte batterier bortskaffes, så sørg for at overholde de nationale lovbestemmelser og miljøregler, der gælder i dit land/ område.

Udskiftning af batteriet

⚠ ADVARSEL

Forsøg under ingen omstændigheder selv at udskifte batteriet.

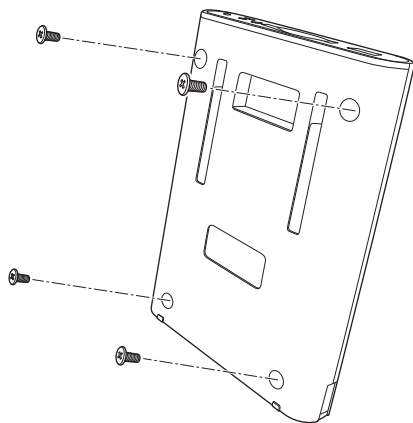
Batteriet må kun udskiftes af Pioneers servicepersonale.

Sådan kasseres batteriet

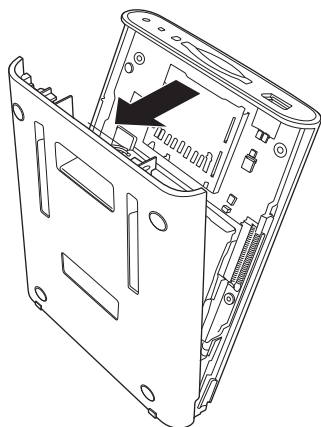
⚠ FORSIGTIG

Dækslet må kun åbnes, når batteriet skal kasseres.

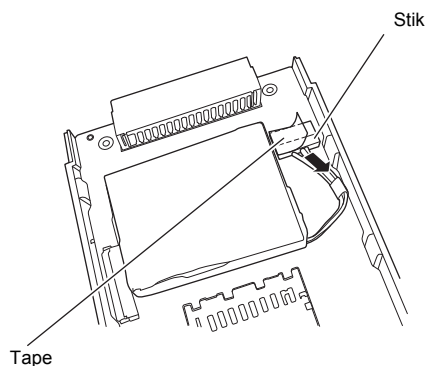
1. Fjern skruerne på bagsiden af den aftagelige enhed.



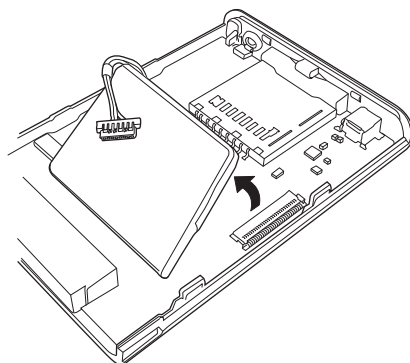
2. Åbn bagdækslet.



3. Fjern tapen og batteristikket.



4. Fjern batteriet.



PIONEER AVIC-F220

DETTE ER EN JURIDISK AFTALE MELLEM DIG SOM SLUTBRUGER OG PIONEER CORP. (JAPAN) ("PIONEER"). LÆS AFTALENS REGLER OG BETINGELSER GRUNDIGT IGENNEM, INDEEN DU BRUGER DEN SOFTWARE, DER ER INSTALLERET I PIONEER PRODUKTERNE. VED AT BRUGE DEN SOFTWARE, SOM ER INSTALLERET I PIONEER PRODUKTERNE, ERKLÆRER DU DIG INDFORSTÅET MED AFTALENS REGLER OG BETINGELSER. SOFTWAREN INKLUDERER EN DATABASE MED LICENS FRA TREDJEPARTLEVERANDØR(ER) ("LEVERANDØRER"), OG DIN ANVENDELSE AF DATABASEN DÆKKES AF LEVERANDØRENS SEPARATE VILKÅR, SOM ER VEDLAGT DENNE AFTALE (læs 14). HVIS DU IKKE ER INDFORSTÅET MED ALLE REGLER, BEDES DU RETURNERE PIONEER PRODUKTERNE (INKLUSIVE SOFTWAREN OG SKRIFTLIGE MATERIALER) INDEEN FOR 5 (FEM) DAGE FRA PRODUKTERNES MODTAGELSE TIL DEN AUTORISEREDE PIONEER FORHANDLER, DU HAR KØBT PRODUKTERNE FRA.

1. LICENSOVERDRAGELSE

Pioneer overdrager dig en ikke-overførbart, ikke-eksklusiv licens til at bruge den software, der er installeret i Pioneer produkterne ("softwaren"), og den dertil hørende dokumentation udelukkende til personlig brug eller til intern brug i din virksomhed kun for sådanne Pioneer produkter.

Det er ikke tilladt at kopiere, demontere, oversætte, overføre, ændre eller udvikle produkter på grundlag af softwaren. Det er ikke tilladt at udlåne, udleje, offentliggøre, sælge, tildele, lease, underlicensere, markedsføre eller på anden måde overføre softwaren eller anvende den på nogen måde, som ikke er udtrykkeligt godkendt via denne aftale. Det er ikke tilladt at udlede eller forsøge på at udlede kildekoden eller strukturen af alle eller nogen som helst del af softwaren ved hjælp af reverse engineering, adskillelse, dekompileering eller enhver anden metode. Det er ikke tilladt at anvende softwaren til at drive et servicebureau eller til

noget andet formål, der er forbundet med behandling af data for andre personer eller instanser.

Pioneer og Pioneers licensgiver(e) bevarer al ophavsret, erhvervshemmeligheder, patent- og andre ejendomsretslige rettigheder, der vedrører softwaren. Softwaren er ophavsretsligt beskyttet, og den må ikke kopieres, heller ikke i modificeret form eller kombineret med andre produkter. Det er ikke tilladt at ændre eller fjerne bemærkninger om ophavsret eller anden tekst vedrørende ejendomsretten, der er indeholdt i eller på softwaren.

Det er tilladt at videregive alle licensrettigheder til softwaren, den vedkommende dokumentation og en kopi af denne licensaftale til en anden part, forudsat at denne part læser og erklærer sig indforstået med reglerne og betingelserne i denne licensaftale.

2. GARANTIFRALÆGGELSE

Softwaren og dertil hørende dokumentation leveres "SOM DEN ER". PIONEER OG PIONEERS LICENSGIVER(E) (i bestemmelserne 2 og 3 omtales Pioneer og Pioneers licensgiver(e) samlet som "Pioneer") GIVER INGEN OG DU FÅR INGEN GARANTI, HVERKEN UDTRYKKELT ELLER UNDERFORSTÅET, OG ALLE GARANTIER VEDRØRENDE SALGBARHED OG EGNETHED TIL ET BESTEMT FORMÅL ER UDTRYKKELT UDELUKKET. I NOGLE LANDE ER UDELUKKELSE AF UNDERFORSTÅEDE GARANTIER IKKE TILLADT, DERFOR VIL BEGRÆNSNINGEN OVENFOR MULIGVIS IKKE GÆLDE FOR DIG. Softwaren er kompleks og kan indeholde nogle afvigelser, defekter eller fejl. Pioneer garanterer ikke, at softwaren vil opfylde dine behov eller forventninger, at softwarens drift vil være fejlfri og uafbrudt, og at alle afvigelser kan eller vil blive rettet. Desuden giver Pioneer ingen erklæringer eller garantier om softwarens anvendelse eller resultaterne deraf, hvad angår nøjagtighed, pålidelighed eller andet.

3. ANSVARSBEGRÆNSNING

PIONEER VIL UNDER INGEN OMSTÆNDIGHEDER HÆFTE FOR NOGEN SKADER, KRAV ELLER TAB, DU PÅFØRES

(INKLUSIVE, UDEN BEGRÆNSING, UDLIGNINGS-, TILFÆLDIGE, INDIREKTE, SPECIELLE, FØLGE- ELLER ERSTATNINGSSKADER, TAB AF FORTJENESTE, TAB AF SALG ELLER FORRETNINGER, UDGIFTER, INVESTERINGER ELLER FORPLIGTELSE I FORHOLD TIL NOGEN FORRETNING, TAB AF GOODWILL ELLER SKADESERSTATNING), DER RESULTERER AF BRUGEN AF ELLER MANGLENDE EVNE TIL AT BRUGE SOFTWAREN, OGSÅ HVIS PIONEER ER BLEVET ORIENTERET OM, KENDTE TIL ELLER BURDE HAVE KENDT TIL SANDSYNLIGHEDEN FOR SÅDANNE SKADER. DENNE BEGRÆNSNING GÆLDER SAMLET FOR ALLE SØGSMÅL, INKLUSIVE UDEN BEGRÆNSNING KONTRAKTBRUD, GARANTIBRUD, FORSØMMELSE, DIREKTE HÆFTELSE, FEJLAGTIG GENGIVELSE OG ANDRE ERSTATNINGSSAGER. HVIS PIONEERS GARANTIFRALÆGGELSE ELLER ANSVARSBEGRÆNSNING SOM STIPULERET I DENNE AFTALE AF NOGEN SOM HELST ÅRSAG DØMMES SOM UIGENNEMFØRLIG ELLER UANVENDELIG, ACCEPTERER DU, AT PIONEERS ANSVARSFORPLIGTELSE IKKE OVERSTIGER HALVTREDS PROCENT (50%) AF DEN PRIS, DU BETALTE FOR DET MEDFØLGENDE PIONEER PRODUKT.

Visse lande tillader ikke udelukkelse eller begrænsning af hæftelse for tilfældige skader eller følgeskader, derfor vil den nævnte begrænsning eller udelukkelse muligvis ikke gælde for dig. Denne garantifralæggelse og ansvarsbegrænsning er ikke gældende i den udstrækning, at nogen bestemmelse i denne garanti er forbudt af nationale eller lokale love, som ikke kan miste forrang.

4. ERKLÆRING OM EKSPORTLOVGIVNING

Du er indforstået med og bekræfter, at hverken softwaren eller andre tekniske data, der er modtaget fra Pioneer, eller det direkte produkt deraf, vil blive eksporteret ud af landet eller regionen ("landet"), der regeres af den regering, der har jurisdiktion over dig ("regeringen"), undtagen som tilladt ifølge regeringens love og bestemmelser. Hvis du har erhvervet softwaren retmæssigt uden for

landet, er du indforstået med, at du ikke vil geneksportere softwaren eller nogen andre tekniske data, der er modtaget fra Pioneer, eller det direkte produkt deraf, undtagen som tilladt af regeringens love og bestemmelser og lovene og bestemmelserne for det jurisdiktionsområde, hvor du har erhvervet softwaren.

5. OPHØR

Denne aftale er i kraft, indtil den ophæves. Du kan til enhver tid ophæve aftalen ved at destruere softwaren. Aftalen ophæves også, hvis du ikke overholder reglerne og betingelserne i denne aftale. I dette tilfælde erklærer du dig indforstået med at destruere softwaren.

6. DIVERSE

Denne er hele aftalen mellem Pioneer og dig om denne sag. Ingen ændring af denne aftale vil være gældende, medmindre Pioneer skriftligt erklærer sig indforstået dermed. Hvis nogen bestemmelse i denne aftale erklæres som ugyldig eller uigennemførlig, vil de resterende bestemmelser i aftalen forblive gyldige.

VILKÅR OG BETINGELSER FOR TELE ATLAS-DATA

Licensbetingelser for slutbrugere

DETTE ER EN JURIDISK AFTALE ("AFTALE") MELLEM DIG SOM SLUTBRUGER OG PIONEER og licensgivere af dataproduktet (kan samlet benævnes "licensgivere"). VED AT ANVENDE DIN KOPI AF DE LICENSBEKYTTEDE DATA ACCEPTERER DU DE VILKÅR OG BESTEMMELSER, SOM FREMGÅR AF DENNE AFTALE.

1. Licensoverdragelse.

Licensgiverne giver dig en ikke-eksklusiv licens, der ikke kan overføres til andre, til at bruge kortdata og forretningsmæssige oplysninger om interessepunkter (POI'er) (samlet kaldet "data"), der findes på de disse diske, udelukkende til personlig, ikke-kommerciel anvendelse og ikke til at drive et servicebureau eller nogen som helst anden anvendelse, hvori indgå databehandling af data for andre personer eller enheder. Du må tage én (1) kopi af nærværende data til arkiverings- eller sikkerhedskopieringsformål, men du må ellers ikke kopiere, reproducere, ændre, lave afledt arbejde, udnytte strukturen eller bearbejde data. Dataene er begrænset til anvendelse sammen med PIONEERS produkter. Dataene omfatter fortrolige og patentbeskyttede informationer og materiale og kan omfatte handelshemmeligheder, hvorfor du indvilliger i at opbevare dataene fortroligt og sikkert og ikke afsløre dataene helt eller delvist på nogen måde, herunder udlejning, offentliggørelse, leasing, licensgivning eller overførsel af data til tredjemand. Det er udtrykkelig forbudt for dig at downloade de digitale kort og programmer, som dataene indeholder, eller at overføre dem til et andet datamedium eller computer. Det er forbudt at fjerne eller skjule alle tekster vedrørende ophavsret, varemærker eller begrænsninger.

2. Ejendomsret.

Ophavsretten til dataene tilhører Tele Atlas og deres licensgivere, som har den fulde ejendomsret til dataene. Du må ikke ændre, fjerne, slette eller skjule bemærkninger om

ophavsret eller anden tekst vedrørende ejendomsretten, der er indeholdt i eller på data. For de aktuelle ophavsrettigheder henvises der til afsnit 12 nedenfor.

3. Begrænsning af hæftelse.

HVERKEND TELE ATLAS ELLER DERES LEVERANDØRER HÆFTER I FORHOLD TIL UNDERSKRIVEREN FOR TILFÆLDIGE SKADER, FØLGESKADER, SPECIELLE SKADER, INDIREKTE SKADER ELLER ERSTATNINGSSKADER, DER OPSTÅR SOM FØLGE AF DENNE AFTALE, INKL. TAB AF FORTJENESTE, ERSTATNINGSSOMKOSTNINGER, TAB AF ANVENDELSE, AFBRYDELSE AF AKTIVITETER ELLER LIGNENDE, UANSET OM PARTEN BLEV ORIENTERET OM MULIGHEDEN FOR SÅDANNE SKADER. UANSET OM DET MODSATTE MÅTTE VÆRE UDTRYKT HERI, HÆFTER TELE ATLAS SHALL IKKE ØKONOMISK I FORHOLD TIL UNDERSKRIVEREN FOR NOGEN SAG (UANSET SAGENS ART) UNDER ELLER I FORBINDELSE MED DENNE AFTALE.

4. Ansvarsfraskrivelse.

NÆRVÆRENDE DATA LEVERES "SOM DE ER" OG "MED ALLE FEJL", OG PIONEER, DETS LICENSGIVERE, LICENS-DISTRIBUTØRER OG LEVERANDØRER (SAMLET "LEVERANDØRER") FRALÆGGER SIG UDTRYKKELT ALLE UDTRYKKELT ELLER UNDERFORSTÅEDE GARANTIER, INKLUSIVE MEN IKKE BEGRÆNSET TIL UNDERFORSTÅEDE GARANTIER FOR IKKE-KRÆNKELSE, SALGBARHED, EFFEKTIVITET, FULDSTÆNDIGHED, NØJAGTIGHED, ADKOMST OG EGNETHED TIL ET BESTEMT FORMÅL. PIONEER, DETS LICENSGIVERE OG LEVERANDØRER GIVER INGEN GARANTI FOR, AT DATAENE OPFYLDER DINE KRAV ELLER AT ANVENDELSEN AF DATAENE SKER UDEN AFBRYDELSE ELLER FEJL. INGEN MUNDTLIGE ELLER SKRIFTLIGE RÅD, DER GIVES AF PIONEER, DETS LICENSGIVERE, LEVERANDØRER ELLER NOGET AF DERES RESPEKTIVE MEDARBEJDERE UDGØR EN GARANTI ELLER ØGER PÅ NOGEN MÅDE PIONEERS, LICENSHAVERNES ELLER

LEVERANDØRERNES ANSVAR, OG DU KAN IKKE PÅBERÅBE DIG SÅDANNE RÅD ELLER OPLYSNINGER. NÆRVÆRENDE ANSVARSFRASKRIVELSE ER AF AFGØRENDE BETYDNING FOR AFTALEN, OG DU ACCEPTERER DATAENE PÅ DETTE GRUNDLAG.

5. Ophør.

Nærværende aftale ophører straks og automatisk uden varsel, hvis du ikke opfylder ethvert vilkår i denne aftale. Du accepterer, at i tilfælde af aftalens ophør, da skal du returnere dataene (samt al dokumentation og alle kopier) til PIONEER og dets leverandører.

6. Skadesløshed.

Du accepterer at holde PIONEER, dets licensgivere og leverandører (inklusive deres respektive licensgivere, leverandører, befuldmægtigede, datterselskaber, tilsluttede virksomheder og de respektive funktionærer, direktører, ansatte, aktionærer, agenter og repræsentanter for hver af dem) skadesløse og forsvare dem mod ethvert ansvar, tab, kvæstelser (inklusive kvæstelser, der medfører døden), krav, søgsmål, omkostning, udgift eller påstand af enhver art eller karakter, inklusive, men ikke begrænset til, advokathonorarer, der skyldes eller opstår i forbindelse med enhver brug eller besiddelse af dataene.

7. Ekstra bestemmelser, der kun vedrører data i Storbritannien og Irland.

- 1 Det er forbudt for slutbrugeren at fjerne eller skjule tekster vedrørende ophavsret, varemærker eller begrænsninger, som tilhører Ordnance Survey.
- 2 Fraskrivelse af alle garantier af Ordnance Survey, udtrykkelige eller underforståede, inkl., men ikke begrænset til, underforståede garantier vedrørende ikke-krænkelser, salgbarhed, fuldstændighed, nøjagtighed og egnethed til et bestemt formål. Slutbrugeren anerkender, at Ordnance Survey ikke giver garantier for eller erklæringer om, at Tele Atlas® MultiNet® data for Storbritannien er fuldstændige, nøjagtige og/eller ajour, og det er en væsentlig betingelse af anvendelsesvilkårene, at slutbrugeren accepterer Tele Atlas® MultiNet® data for

Storbritannien på dette grundlag. Disse data kan omfatte data fra licensgivere og Ordnance Survey.

- 3 Fraskrivelse af hæftelse af Ordnance Survey i forhold til Tele Atlas® MultiNet® data for Storbritannien.
- 4 Forbud af anvendelse af Tele Atlas® MultiNet® data for Storbritannien i trykt, offentliggjort form, der medfører et produkt med merværdi, der uddelles gratis eller sælges til offentligheden uden forudgående tilladelse fra Ordnance Survey.
- 5 Skadesløsholdelse af Ordnance Survey fra og i forhold til ethvert sagsanlæg, krav eller enhver handling, uanset arten af et sagsanlæg, krav eller en handling, hvor der gøres tab, omkostninger, skadeserstatning, udgifter eller personskade gældende (herunder personskade som følge af dødsfald), der opstår som følge af brugen af Tele Atlas® MultiNet® data for Storbritannien.
- 6 Slutbrugeren accepterer sin forpligtelse til på anmodning at orientere Ordnance Survey om de produkter og/eller services, som indeholder og/eller stammer fra licenserede Tele Atlas-produkter, som produceres.
- 7 Slutbrugeren hæfter i forhold til Ordnance Survey i tilfælde af brud på ovennævnte kontraktvilkår. Slutbrugeren accepterer sin forpligtelse til på anmodning at orientere Ordnance Survey om de produkter og/eller services, som indeholder og/eller stammer fra licenserede Tele Atlas-produkter, som produceres.

Vedrørende revisioner

Rettighederne af Tele Atlas som defineret i denne aftale gælder også for Ordnance Survey's revisorer og/eller National Audit Office i tilfælde af levering af data for Storbritannien. Ethvert skyldigt beløb skal forrentes med to procent (2%) over den til enhver tid gældende basisrentesats af National Westminster Bank PLC fra den dato, hvor beløbet var skyldigt, til datoen for betalingen (før eller efter pådømmelsen). Ordnance Survey og/eller National Audit Office har ret til at revidere slutbrugers regnskab eller konto direkte med nøjagtigt de samme vilkår som licenshaveren er forpligtet

til i denne aftale, således at Ordnance Survey har ret til revision i forhold til enhver leverandør af produkter og/eller services, som indeholder og/eller stammer fra licenserede Tele Atlas-produkter.

Licenshaveren erklærer sig hermed indforstået med, at de relevante slutbrugere og licenshaveren vil hæfte solidarisk i forhold til Ordnance Survey i tilfælde af kontraktbrud.

8. Ekstra bestemmelser, der kun vedrører data i Norge.

Det er forbudt for slutbrugeren at bruge Tele Atlas® MultiNet® data for Norge til at skabe kommercielle trykte eller digitale kort, der ligner de grundlæggende nationale produkter fra den norske kort- og matrikelstyrelse.

9. Yderligere bestemmelse vedrørende Tele Atlas® Premium Points of Interest ("POI'er"). Vedrørende POI -licenserede Tele Atlas-produkter:

(De følgende bestemmelser gælder kun for produkter, der indeholder Tele Atlas® Premium-interessepunkter.)

Slutbrugeren erklærer sig udtrykkeligt indforstået med ikke at:

(a) undtagen som udtrykkeligt bestemt heri, at licensere eller på anden vis videregive POI-licenserede Tele Atlas-produkter til nogen som helst tredje part til formålet af videresalg, underlicensering, viderefordeling eller til formålet af sammenstilling, forbedring, bekræftelse eller supplementering af hhv. tilføjelse til eller sletning fra alle mailinglister, geografiske registre eller handelsregistre, forretningsregistre, fagregistre eller reklamer, som sælges, udlejes, offentliggøres, sendes eller på nogen vis videregives til en tredje part;

(b) gøre de POI-licenserede Tele Atlas-produkter tilgængelige i et online-miljø, medmindre der er forsvarligt sikret eller krypteret for at forhindre uautoriseret adgang til de POI-licenserede Tele Atlas-produkter; og

(c) bruge de POI-licenserede Tele Atlas-produkter, samlet eller delvis, som en faktor i (i) etablering af en enkeltpersons egnethed til kredit eller forsikring; (ii) forbindelse med tegning af en enkeltpersons forsikring; (iii) evaluering af en enkeltperson for ansættelse eller forfremmelse, genansættelse eller

bibeholdelse som ansat; (iv) i forbindelse med en bestemmelse af en enkeltpersons egnethed til en licens eller andre goder fra en regeringsmyndighed; eller (v) henvendelser til efterkommere af afdøde personer.

(d) oprette mailing- eller telemarketing-liste, medmindre det er autoriseret i denne aftale.

(e) Slutbrugeren vil lagre de POI-licenserede Tele Atlas-produkter på Internettet bag firewalls og implementere et system af kontroller, der vil (i) beskytte integriteten af de POI-licenserede Tele Atlas-produkter; (ii) styre adgangen til de POI-licenserede Tele Atlas-produkter og (iii) forhindre uautoriseret brug eller kopiering af POI-licenserede Tele Atlas-produkter.

10. Yderligere bestemmelser vedrørende Tele Atlas® mærkeikon-licenserede Tele Atlas-produkter:

(De følgende bestemmelser gælder kun for produkter, der indeholder Tele Atlas® mærkeikon-licenserede Tele Atlas-produkter.)

a Slutbrugers brug af mærkeikon-licenserede Tele Atlas-produkter og dele heraf er begrænset til brug udelukkende til formålet af forbedring af værdien og/eller brugen af de rumlige vektordata leveret eller produceret af Tele Atlas. Uanset om det modsatte måtte være udtrykt heri, eller i et tillæg hertil, må slutbrugeren under ingen omstændigheder bruge mærkeikon-licenserede Tele Atlas-produkter eller dele heraf i forbindelse med rumlige gadevektordata leveret eller produceret af en anden part end Tele Atlas. Slutbrugeren må kun bruge ikonerne, mærkenavnene, logoerne, varemærkerne og andre funktioner inden for (og ikke adskilt fra) kortdataene. Desuden må slutbrugeren ikke ændre farven, formen, størrelsen og orienteringen af mærkeikon-licenserede Tele Atlas-produkter som leveret til slutbrugeren uden Tele Atlas's forudgående skriftlige tilladelse.

b Licenshaveren erklærer sig indforstået med, at brugen af mærkeikon-licenserede Tele Atlas-produkter er underlagt vilkårene og betingelserne i denne aftale, og at der kan være yderligere vilkår, betingelser og begrænsninger fra tredje parter, som brugen af mærkeikon-licenserede Tele

Atlas-produkter vil være underlagt og som meddeles til slutbrugeren med mellemrum i de udgivelsesbemærkninger, der gælder for merværdiproduktet.

- c Hvis slutbrugeren deltager i kommercielle arrangementer for reklamer, betalt placering, promotion eller lignende betalt mærkemarketingeksponering med ejere (eller deres repræsentanter) af nogen af de mærkeikoner, der leveres med mærkeikonlicenserede Tele Atlas-produkter, skal Tele Atlas modtage ikke mindre end femogtyve procent (25%) af alle indtægter, der opstår i forbindelse med et sådant kommercielt arrangement, medmindre andet er aftalt skriftligt i forvejen af begge parter.

11. Yderligere bestemmelser vedrørende Tele Atlas® 3D landemærke-licenserede Tele Atlas-produkter ("3D-landemærker"):

(De følgende bestemmelser gælder kun for produkter, der indeholder Tele Atlas® 3D-landemærkelicenserede Tele Atlas-produkter.)

Licenshaveren erklærer sig indforstået med så snart som praktisk muligt, men ikke senere end ved den første nye udgivelse af merværdiproduktet efter licenshaverens modtagelse af 3D-landemærker, at inkludere bemærkninger om ophavsret vedrørende visningen af sådanne landemærker på hvert merværdiprodukt og i merværdiproduktets boks "Om". Uanset ovennævnte har Tele Atlas ret til at beslutte, efter eget skøn, at fjerne bestemte 3D-landemærker i efterfølgende udgivelser af de licenserede Tele Atlas-produkter. I et sådant tilfælde vil licenshaveren fjerne disse 3D-landemærker fra merværdiproduktet så snart som praktisk muligt, men ikke senere end ved den første nye udgivelse af merværdiproduktet efter licenshaverens modtagelse af opdateringen af det licenserede Tele Atlas-produkt. Tele Atlas hæfter ikke for eventuelle skader, omkostninger eller udgifter, der påføres licenshaveren i forbindelse med Tele Atlas' fjernelse af et 3D-landemærke fra det licenserede Tele Atlas-produkt eller licenshaverens undladelse at fjerne et 3D-landemærke fra merværdiproduktet.

12. Bemærkninger om ophavsret.

Licenshaveren skal omhyggeligt vise alle aktuelle bemærkninger om ophavsret for de

licenserede Tele Atlas-produkter på startskærmen, i koden, på lagermediet, på emballagen, i afsnittet "Hjælp/Om", i brugervejledningen og på alle viste eller trykte kortbilleder, for hvert merværdiprodukt, der er baseret på:

- 1 Tele Atlas® MultiNet® EuropaFor gyldighedsdatoen er bemærkningen om ophavsret: "Data Source © 2009 Tele Atlas B.V."; og desuden "baseret på":
 - a Tele Atlas® MultiNet® data for Østrig. For gyldighedsdatoen er bemærkningen om ophavsret: "© BEV, GZ 1368/2003."
 - b Tele Atlas® MultiNet® data for Danmark. For gyldighedsdatoen er bemærkningen om ophavsret: "© DAV, krænkelse af ophavsret medfører sagsanlæg."
 - c Tele Atlas® MultiNet® data for Frankrig. For gyldighedsdatoen er bemærkningen om ophavsret: "© IGN France.", "Michelin data © Michelin 2009"
 - d Tele Atlas® MultiNet® data for Storbritannien (ekskl. Nordirland). For gyldighedsdatoen gælder følgende: Dette produkt omfatter kortdata med licens fra Ordnance Survey med tilladelse fra Controller of Her Majesty's Stationery Office. © Crown copyright and/or database right 2009. All rights reserved. Licensnummer 100026920.
 - e Tele Atlas® MultiNet® data for Nordirland. For gyldighedsdatoen er bemærkningen om ophavsret: "Ordnance Survey of Northern Ireland."
 - f Tele Atlas® MultiNet® data for Norge. For gyldighedsdatoen er bemærkningen om ophavsret: "© Norwegian Mapping Authority, Public Roads Administration / © Mapsolutions."
 - g Tele Atlas® MultiNet® data for Rusland: For gyldighedsdatoen er bemærkningen om ophavsret: "© Roskartographia"
 - h Tele Atlas® MultiNet® data for Schweiz. For gyldighedsdatoen er bemærkningen om ophavsret: "© Swisstopo."
 - i Tele Atlas® MultiNet® data for Nederlandene. For gyldighedsdatoen er bemærkningen om ophavsret: "Topografische underground Copyright © dienst voor het kadaster en de openbare registers, Apeldoorn 2006."

13. Diverse.

Dette er hele aftalen mellem licensgiverne og dig om denne sag. Der er intet i nærværende aftale, som udgør en joint venture, partnerskab eller forhold mellem fuldmagtsgiver og fuldmagtshaver for licensgiverne og dig. Afsnit 2, 5 og 7 - 12 er fortsat gældende efter denne aftales udløb eller ophør. Nærværende aftale kan kun ændres eller modificeres af PIONEER. Du må ikke overdrage nogen del af aftalen uden forudgående skriftligt samtykke fra PIONEER. Du anerkender og accepterer, at data kan være underlagt begrænsninger for eksport og accepterer at overholde alle gældende eksportlove. I det tilfælde at en bestemmelse i aftalen helt eller delvist anses for at være ugyldig, ulovlig eller ikke kan håndhæves, da fjernes bestemmelsen helt eller delvist fra aftalen og resten af aftalen anses for gyldig, lovlig og kan håndhæves i hele det omfang, at det er muligt. Enhver meddelelse i henhold til nærværende aftale skal leveres af kureren til PIONEER, attention juridisk afdeling.

Om dataene for kortdatabasen

- Denne database gengiver muligvis ikke ændringer vedrørende veje, gader, lande-/motorveje, terræn, byggeri og andre ting, der sker før og i løbet af udviklingsperioden. De ændringer, der er sket efter den periode, er naturligvis ikke med i denne database.
- Dataene kan - uanset eksisterende eller nybyggede ting - adskille sig fra, hvordan der ser ud i virkeligheden.
- Læs oplysningerne på vores webadresse for at få flere oplysninger om dette navigationssystems kortdækning.
- Det er strengt forbudt helt eller delvist at gengive dette kort i nogen form uden tilladelse fra indehaveren af ophavsretten.
- Hvis de lokale trafikbestemmelser eller -betingelser afviger fra disse data, bør man følge de lokale trafikbestemmelser (fx skiltning, symboler osv.) og tage hensyn til de lokale trafikforhold (fx vejbyggeri, vejforhold osv.).
- De trafikbestemmelserdata, der er anvendt i kortdatabasen, gælder kun for almindelige personbiler. Bemærk, at databasen ikke indeholder bestemmelser vedrørende større køretøjer, motorcykler og andre køretøjer, som ikke har almindelig størrelse.
- Kortversion, Tele Atlas. Rel. 06/2009.



ADVARSEL

- Forsøg ikke på selv at installere eller reparere navigationssystemet. Installation eller reparation af navigationssystemet, som udføres af personer uden uddannelse i og erfaring med elektronisk udstyr og biltilbehør, kan være farlig og udsætte dig for fare for elektriske stød eller andre risici.
- Hvis væske eller fremmedlegemer kommer ind i dette navigationssystem, bør man parkere køretøjet et sikkert sted, slå tændingskontakten fra (ACC OFF) med det samme og kontakte forhandleren eller den nærmeste autoriserede Pioneer-serviceafdeling. Brug ikke navigationssystemet i denne tilstand, da det kan det forårsage brand, elektriske stød eller andre fejl.
- Bemærk du røg, mærkelige lyde eller lugte fra navigationssystemet eller andre unormale tegn på LCD-skærmen, så sluk straks for strømtilførslen og henvend dig til forhandleren eller nærmeste autoriserede Pioneer serviceafdeling. Anvendes navigationssystemet i denne tilstand, kan systemet tage varig skade.
- Undlad at adskille eller modificere dette navigationssystem, da det indeholder højspændingskomponenter, som kan give elektriske stød. Husk at lade din forhandler eller nærmeste autoriserede Pioneer serviceafdeling udføre interne eftersyn, justeringer eller reparationer.
- Denne enhed må ikke komme i kontakt med væsker. Det kan medføre elektriske stød. Kontakt med væsker kan desuden forårsage beskadigelse af produktet, røg og overophedning.

⚠️ FORSIGTIG

- Når en rute beregnes, indstilles ruten og stemmestyringen automatisk. Ved trafikregler på bestemte dage eller tidspunkter, vises kun oplysninger om de trafikregler, der er gældende på det tidspunkt, da ruten beregnes. Der tages muligvis ikke hensyn til ensrettede og lukkede veje. Hvis en gade fx kun er åben om morgenen, men du ankommer til den senere, er det imod trafikreglerne at bruge gaden, og derfor kan den indstillede rute ikke følges. Følg de aktuelle trafikskilte

under kørslen. Systemet kender muligvis ikke nogle trafikregler.

- Navigationssystemet må ikke installeres på steder, der er udsat for høje temperaturer eller høj fugtighed, f.eks.:
 - Steder, der er tæt på et varmeapparat, ventilationsåbning eller klima anlæg.
 - Steder, der rammes af direkte sollys, som oven på instrumentbrættet eller lige under bagruden.
 - Steder, der kan være udsat for regn, f.eks. tæt på døren eller på køretøjets gulv.

Inden du bruger navigationssystemet, sørg for at læse og forstå sikkerhedsoplysninger nedenfor:

- Læs hele vejledningen, inden du betjener dette navigationssystem.
- Det er kun meningen, at dit navigationssystems funktioner skal være et hjælpemiddel, når du kører i din bil. Det erstatter ikke din opmærksomhed, dømmekraft og påpasselighed, mens du kører.
- Lad være med at betjene navigationssystemet, hvis det på nogen måde afleder din opmærksomhed fra at køre din bil sikkert og forsvarligt. Overhold altid reglerne for sikker kørsel og følg alle eksisterende trafikregler. Hvis du oplever problemer med at betjene systemet eller læse displayet, skal du parkere køretøjet et sikkert sted og trække håndbremsen, inden du foretager de nødvendige justeringer.
- Giv aldrig andre lov til at bruge systemet, medmindre de har læst og forstået betjeningsvejledningen.
- Brug aldrig dette navigationssystem til at finde vej til hospitaler, politistationer eller lignende steder i en nødsituation. Stands med at bruge alle funktioner til håndfri telefonering og ring til det relevante nødkaldsnummer.
- Oplysninger om ruten og styringen, der vises af dette udstyr, er kun til referenceformål. De vil muligvis ikke nøjagtigt gengive de nyeste mulige ruter, vejforhold, ensrettede veje, lukkede veje eller trafikbegrænsninger.

- Gældende trafikbegrænsninger og - anbefalinger bør altid gives højere prioritet end den styring, der gives af navigationssystemet. Overhold altid aktuelle trafikbegrænsninger, også selv om navigationssystemet giver det modsatte råd.
- Manglende indstilling af lokal tid kan medføre, at navigationssystemet giver forkerte anvisninger om rute og styring.
- Navigationssystemets lydstyrke må aldrig indstilles så højt, at man ikke kan høre trafikken uden for bilen og udrykningskøretøjer.
- Af hensyn til sikkerheden er bestemte funktioner deaktiveret, når køretøjet ikke er stoppet og/eller håndbremsen er trukket.
- Dataene, der er kodet ind i den indbyggede hukommelse, er leverandørens intellektuelle ejendom, og leverandøren er ansvarlig for indholdet.
- Opbevar denne vejledning som reference i forbindelse med betjeningsprocedurer og sikkerhedsoplysninger.
- Vær meget opmærksom på alle advarsler i vejledningen og følg anvisningerne nøje.
- Navigationssystemet må ikke monteres på steder, hvor det kan (i) blokere for førerens udsyn, (ii) svække nogen af køretøjets betjeningsystemer eller sikkerhedsfunktioner, inkl. airbags eller knapper til advarselsslamper, eller (iii) forringe førerens evne til at betjene køretøjet på en sikker måde.
- Husk altid at fastgøre sikkerhedsselen under kørslen. Hvis du involveres i en trafikulykke, kan eventuelle skader være betydeligt mere alvorlige, hvis sikkerhedsselen ikke anvendes korrekt.
- Sørg for, at den aftagelige enhed er sat på hovedenheden, mens den anvendes i bilen. Anvendes denne aftagelige enhed uden at sidde ordentligt fast i hovedenheden, kan den blive beskadiget ved en pludselig opbremsning.
- Brug aldrig hovedtelefoner under kørslen.

Advarsler vedrørende den aftagelige enhed

FORSIGTIG

- Efterlad aldrig den aftagelige enhed på steder, hvor den kan blive udsat for høje temperaturer eller luftfugtighed, såsom:
 - Steder, der er tæt på et varmeapparat, ventilationsåbning eller klimaanlæg.
 - Steder, der rammes af direkte sollys, som oven på instrumentbrættet eller lige under bagruden.
 - Steder, der kan være udsat for regn, f.eks. tæt på døren eller på køretøjets gulv.
- Pas på ikke at berøre klemmerne på den aftagelige enhed eller på hovedenheden. Det kan bevirke, at forbindelsen svigter. Terminalerne tørres af med en ren tør klud, hvis de er snavsede.
- Slå tændingskontakten fra (ACC OFF), inden den aftagelige enhed fjernes.
- Når man monterer den aftagelige enhed, skal man huske at sætte den på hovedenheden, inden tændingskontakten slås til (ACC ON).
- Efter den aftagelige enhed er taget af, skal den opbevares et sikkert sted, så den ikke ridses eller beskadiges. Når du forlader bilen, skal du sørge for at fjerne den aftagelige enhed fra hovedenheden og tage den med dig.
- Brug aldrig magt i forbindelse med fjernelse eller montering.
- Den aftagelige enhed må ikke udsættes for meget hårde stød.

Sådan oplades den aftagelige enheds batteri

- Opladning kan ikke udføres, når temperaturen ligger udenfor opladningstemperaturområdet.
 - Batteriets driftstemperaturområde er fra 0 °C til +55 °C.
 - Batteriets opladningstemperaturområde går fra -20 °C til +60 °C.
- Den aftagelige enheds batteri oplades i følgende situationer.

Vigtige sikkerhedsoplysninger

- Når den aftagelige enhed er sat på hovedenheden og navigationssystemet er forbundet med AV-modtageren, mens tændingskontakten er aktiveret (ACC ON).
- Når den aftagelige enhed er tilsluttet din computer.
- Batteriets livstid er begrænset. Det periode, batteriet er opladet, bliver mindre og mindre for hver opladning. Holder batteriet kun i meget kort tid, kan det være nær slutningen af sin holdbarhedsperiode. Kontakt din forhandler eller den nærmeste autoriserede Pioneer-serviceafdeling og skift det med et nyt batteri.
- Hvis batteriet løber helt tør eller temperaturen ligger udenfor opladningstemperaturområdet, kan systemet ikke starte op, inden opladningen af batteriet begynder. I dette tilfælde kan det tage nogle minutter, inden systemet starter op.
- Hvis navigationssystemet ikke starter op efter en periode og strømindikatoren ikke tændes, kan det være nødvendigt at skifte batteriet ud. Kontakt nærmeste autoriserede Pioneer serviceafdeling.

Eco-kørselsfunktion

- Det beregnede benzinforbrug er baseret på en teoretisk værdi, der bestemmes ud fra køretøjets hastighed og navigationssystemets positionsoplysninger. Det viste benzinforbrug er kun en referenceværdi og garanterer ikke, at dette benzinforbrug kan opnås.
- Eco-kørselsfunktionerne er et skøn over reeltidsbenzinbruget i forhold til det gennemsnitlige benzinforbrug og ikke en faktisk værdi.
- Eco-kørselsfunktionerne og -beregningerne tager hensyn til GPS-positionen og køretøjets hastighed, når en værdi bestemmes.
- Visninger af denne enhed kan adskille sig fra den faktiske værdi.

- Nogle funktioner af denne enhed tager ikke hensyn til typen af køretøj, den er installeret i.

Administration af benzinomkostninger

Disse beregninger er baseret på oplysninger, du leverer, og ikke på data fra køretøjet. Det viste benzinforbrug er kun en referenceværdi og garanterer ikke, at dette benzinforbrug kan opnås.

Trafikmeddelelser

- Pioneer er ikke ansvarlig for nøjagtigheden af de oplysninger, som sendes.
- Pioneer er ikke ansvarlig for ændringer af den informationservice, der ydes af radiostationer eller lignende virksomheder, f.eks. annullering af servicen eller ændring til betalingservice. Desuden kan dette produkt ikke returneres med en sådan begrundelse.

Markering af fartgrænse

Hastighedsgrænsen er baseret på kortdatabasen. Databasens hastighedsgrænse matcher muligvis ikke til den virkelige hastighedsgrænse på den omtalte vej. Det er ikke en bestemt værdi. Sørg for at køre i henhold til den aktuelle hastighedsgrænse.

Håndbremselås

Dette navigationssystem modtager parkeringsbremsens status fra den tilsluttede AV-modtager.

Bestemte funktioner på dette navigationssystem (fx bestemte betjening af berøringspanelets taster) kan være farlige og/eller ulovlige, hvis de anvendes, mens der køres. For at forhindre af en sådan funktion anvendes, mens køretøjet bevæger sig, er der et aflåsningssystem, som registrerer, hvornår håndbremsen trækkes og hvornår køretøjet bevæger sig. Forsøger du at bruge de herover beskrevne funktioner, mens du kører, så deaktiveres de, indtil du stopper køretøjet på et sikkert sted og trækker håndbremsen. Du skal holde bremsepedalen nede, før du slipper håndbremsen.

☐ Når håndbremsen trækkes for at aktivere andre funktioner, som navigationssystemet tilbyder, skal køretøjet parkeres på et sikkert sted og bremsepedalen trykkes ned, inden håndbremsen slippes, hvis køretøjet parkeres på en bakke eller kan sætte sig i bevægelse af andre årsager, når håndbremsen slippes.

Sådan undgås et tømt batteri

Sørg for, at bilens motor kører, når du anvender dette produkt. Bruges produktet, uden at bilens motor kører, kan batteriet aflades.

⚠ ADVARSEL

Dette produkt må ikke installeres i bilen, der ikke har en ACC-position.

Sådan håndteres SD-kortåbningen

Hukommelseskortene SD og SDHC kaldes under ét for "SD-hukommelseskort".

⚠ FORSIGTIG

• Opbevar SD-hukommelseskortet uden for små børns rækkevidde, så de ikke kommer til at sluge det ved et uheld.

- Lagerenheden må aldrig tages ud af dette navigationssystem, mens der overføres data, så dataene ikke går tabt, og lagerenheden ikke beskadiges.
- Mister man data eller beskadiges lagerenheden af en eller anden grund, er det som regel umuligt at gendanne dataene. Pioneer påtager sig intet ansvar for skader, omkostninger eller udgifter, der skyldes tabte eller ødelagte data.
- SD-hukommelseskortet må aldrig sættes i eller skubbes ud under kørslen.

Håndtering af USB-porten (mini-B)

☐ USB-porten (mini-B) på den aftagelige enhed bruges kun til at forbinde den aftagelige enhed med din PC. Systemet kan ikke genkende den tilsluttede USB-lagerenhed, hvis den ikke er forbundet med USB-porten.

⚠ FORSIGTIG

- For at undgå datatab og beskadigelse af SD-hukommelseskortet må kortet aldrig fjernes fra PC'en, mens data overføres.
- Hvis man mister data eller SD-hukommelseskortet beskadiges af en eller anden grund, er det som regel umuligt at gendanne dataene. Pioneer påtager sig intet ansvar for skader, omkostninger eller udgifter, der skyldes tabte eller ødelagte data.

I tilfælde af problemer

Hvis navigationssystemet ikke fungerer korrekt, så henvend dig til din forhandler eller den nærmeste autoriserede Pioneer serviceafdeling.

Besøg vores website

Besøg os på følgende website:

www.pioneer.dk

- Registrér produktet. Oplysningerne om købet vil blive arkiveret, således at køber kan henvise til dem i tilfælde af et forsikringskrav, f.eks. ved tab eller tyveri.
- Vi har de nyeste informationer om Pioneer Corporation på vores website.

Om dette produkt

Dette navigationssystem fungerer ikke korrekt i nogen andre områder end Europa. RDS-funktionen (radiodatasystem) fungerer kun i områder med FM-stationer, som udsender RDS-signaler. RDS-TMC-tjenesten kan også bruges i et område, hvor der er en station, som sender RDS-TMC-signalet.

Medfølgende CD-ROM

Driftsmiljø

Den medfølgende CD-ROM kan anvendes med Microsoft® Windows® 2000/XP og Apple Mac OS X 10.4.

Adobe Reader (version 4.0 eller senere) skal bruges til at læse vejledningerne på CD-ROM'en.

Sikkerhedsanvisninger

CD-ROM'en anvendes i en computer. Den kan ikke anvendes med andre DVD/CD-afspillere eller -drev. Gøres der forsøg på at køre CD-ROM'en med sådant udstyr kan ødelægge højtalerne eller give høreskader, fordi lydstyrken er alt for høj.

Licens

Nedenstående "Brugsvilkår" skal accepteres, før CD-ROM'en tages i brug. Den må ikke

bruges, hvis du ikke accepterer brugsvilkårene.

Brugsvilkår

Ophavsretten til data, der ligger på denne CD-ROM, tilhører Pioneer Corporation. Ikke-autoriseret overførsel, kopiering, udsendelse, offentliggørelse, oversættelse, salg, udlån eller lignende forhold, der ikke omfattes af "personlig brug" eller "citering", som defineret af loven om ophavsret, kan være genstand for straffeforanstaltninger. Tilladelse til at anvende CD-ROM'en gives under licens fra Pioneer Corporation.

Generel ansvarsfraskrivelse

Pioneer Corporation garanterer ikke, at denne CD-ROM fungerer på computere, der bruger ethvert anvendeligt styresystem. Desuden kan Pioneer Corporation ikke holdes ansvarlig for skader, der skyldes brugen af CD-ROM'en, og er ikke ansvarlig for nogen skadeserstatning.

Bemærk

- Når den medfølgende CD-ROM køres på et Mac styresystem, indsættes CD-ROM'en i CD-drevet, hvorefter der dobbeltklikkes på CD-ROM'ens ikon, så programmet starter.

Navnene på private selskaber, produkter og andre enheder, som denne CD-ROM indeholder, er registrerede varemærker eller varemærker, der tilhører de respektive virksomheder.

⇒ Se betjeningsvejledningen for yderligere oplysninger.

www.pioneer.dk

PIONEER CORPORATION

1-1, Shin-Ogura Saiwai-ku, Kawasaki-shi
Kanagawa-ken 212-0031, JAPAN

PIONEER ELECTRONICS (USA) INC.

P.O. Box 1540, Long Beach, California 90801-1540, U.S.A.
TEL: (800) 421-1404

PIONEER EUROPE NV

Haven 1087, Keetberglaan 1, B-9120 Melsele, Belgium
TEL: (0) 3/570.05.11

PIONEER ELECTRONICS ASIACENTRE PTE. LTD.

253 Alexandra Road, #04-01, Singapore 159936
TEL: 65-6472-7555

PIONEER ELECTRONICS AUSTRALIA PTY. LTD.

178-184 Boundary Road, Braeside, Victoria 3195, Australia
TEL: (03) 9586-6300

PIONEER ELECTRONICS OF CANADA, INC.

300 Allstate Parkway, Markham, Ontario L3R OP2, Canada
TEL: 1-877-283-5901

PIONEER ELECTRONICS DE MEXICO, S.A. de C.V.

Blvd. Manuel Avila Camacho 138 10 piso
Col. Lomas de Chapultepec, Mexico, D.F. 11000
TEL: 55-9178-4270

先鋒股份有限公司

總公司: 台北市中山北路二段44號13樓

電話: (02) 2521-3588

先鋒電子(香港)有限公司

香港九龍尖沙咀海港城世界商業中心9樓901-6室

電話: (0852) 2848-6488

www.pioneer.eu