

Read before removing your speakers from their packaging.

TAD Reference One Unpacking instructions

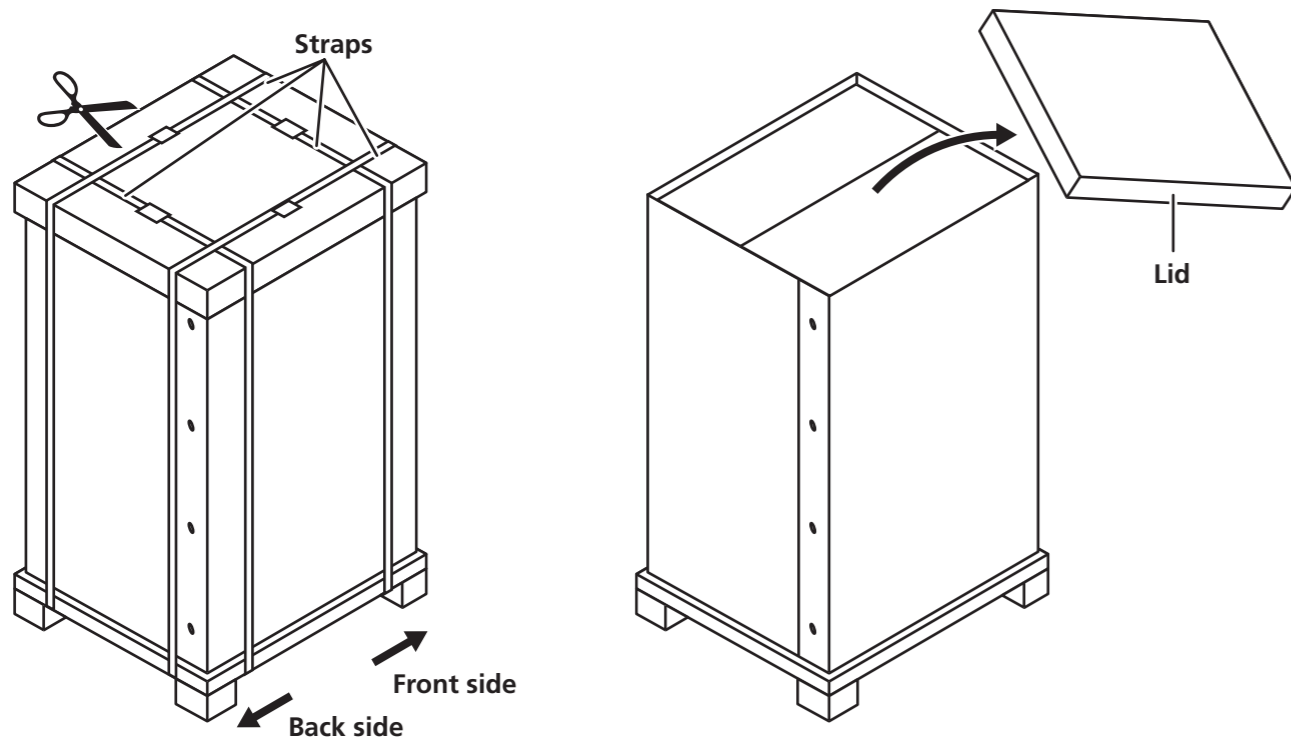


This speaker set is extremely heavy (150 kg, or 330 lb). Be sure to carry out unpacking and installation with at least three people. Trying to handle too much weight can throw you off balance, causing you to fall or otherwise incur bodily injury.

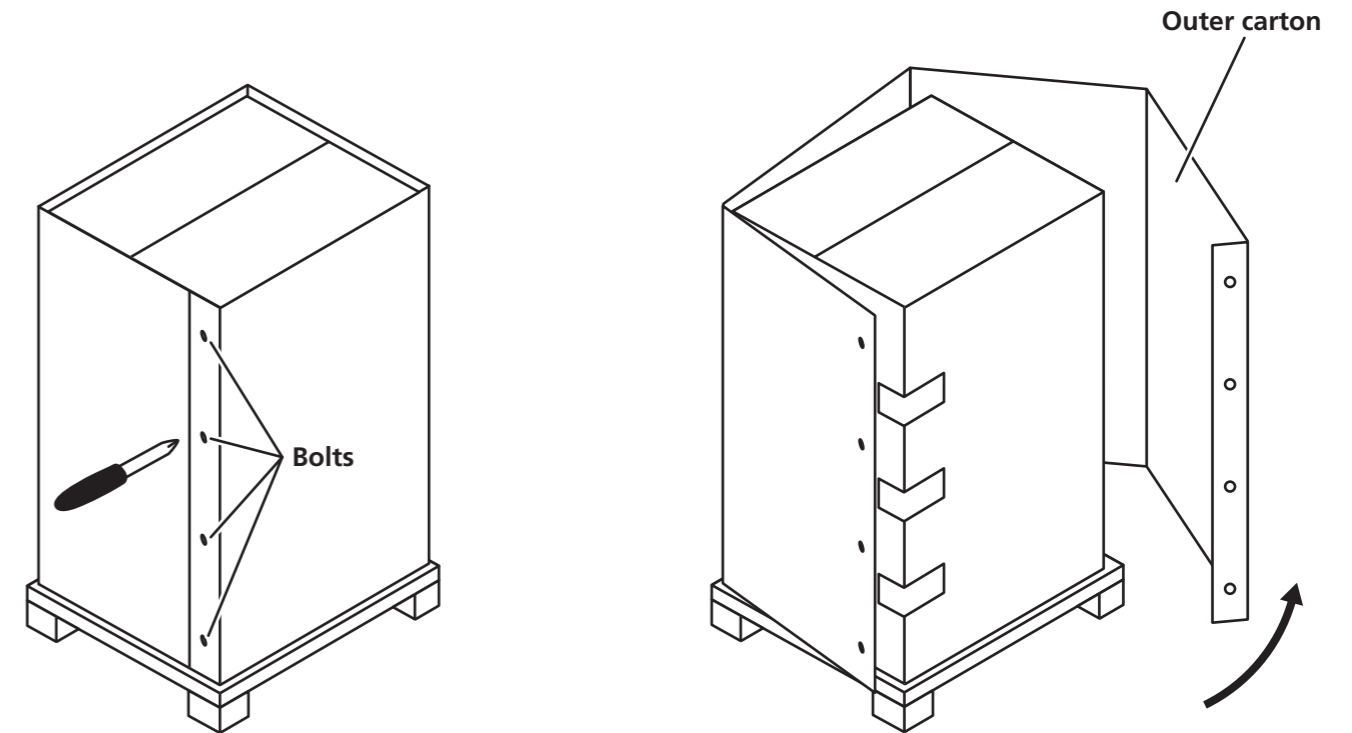
Caution: About installation

- This unit is sold with the understanding that it is to be installed by a properly trained and equipped specialist. All matters concerning installation and mounting should be handled by specialists or by your local dealer.
- Pioneer waives all responsibility for damages to this unit as the result of improper installation, mounting, improper use, remodeling/alteration, and natural disasters.

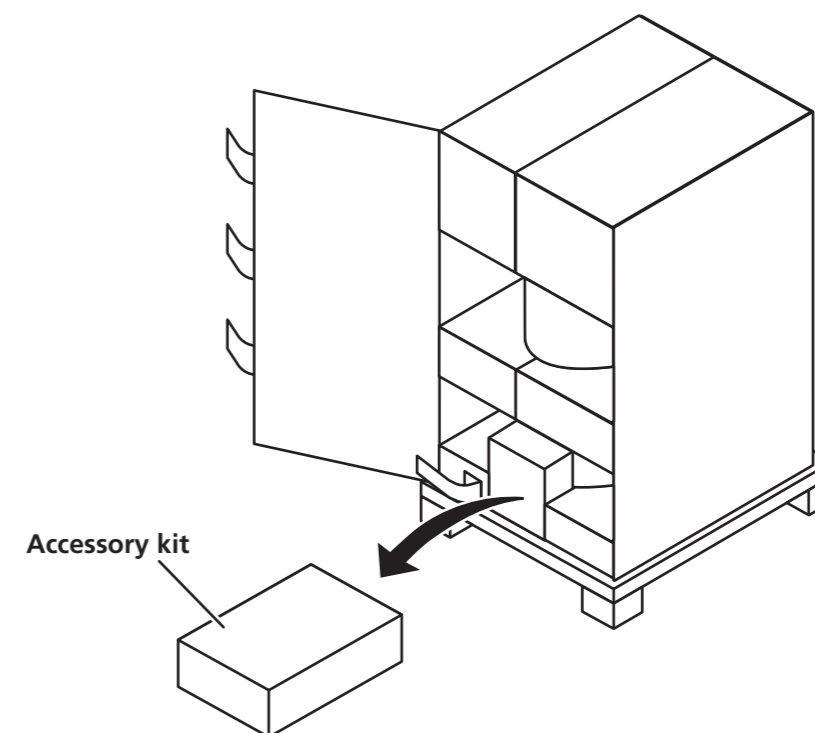
1. Cut the four straps from the packaging and remove the lid.



2. Using a screwdriver, remove the bolts and washers (4 in all) from the back side of the packaging and open and remove the outer carton.

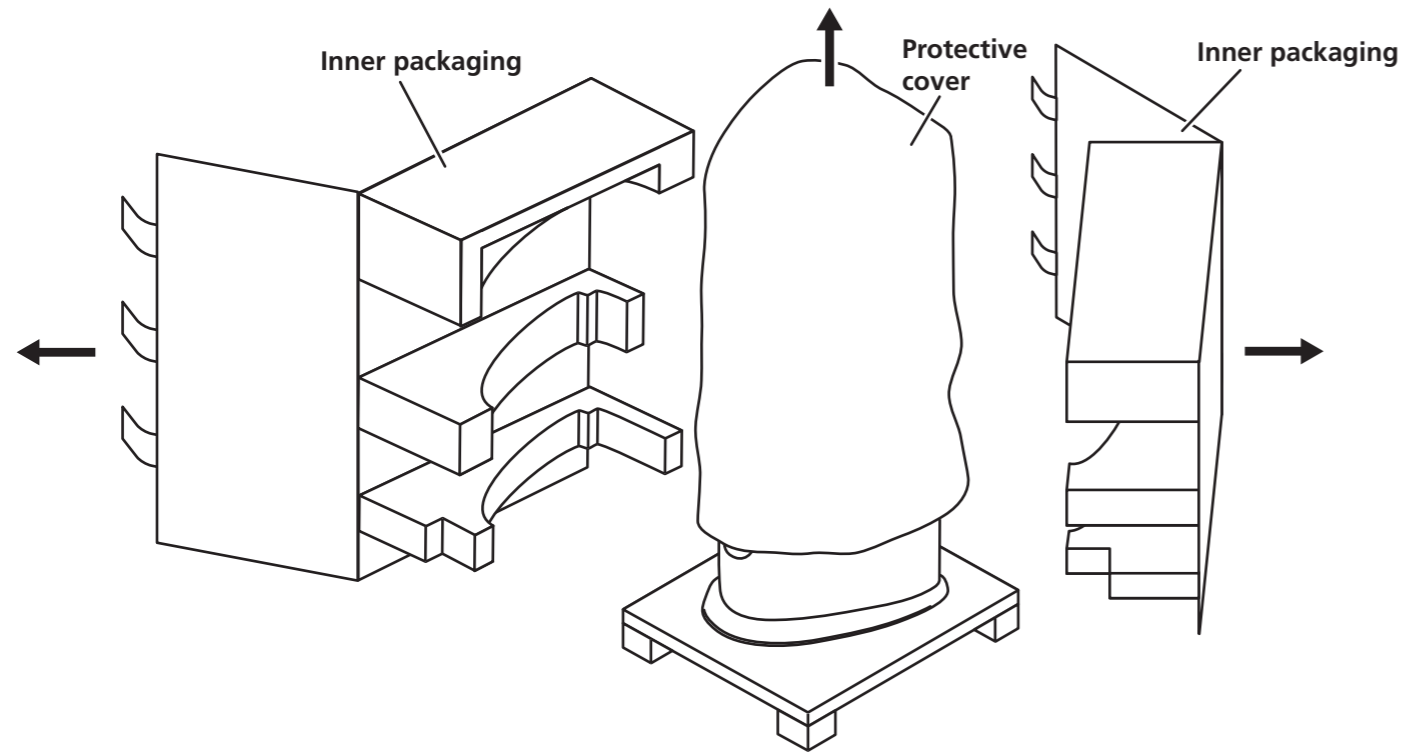


3. Remove the inner carton by peeling off the tape (3 pieces in total) from the back corner and then opening the carton. Remove the tape that secures the accessory kit in place and take out the kit before fully removing the inner carton.



4. After removing the outer packaging, take the protective cover off of the speaker.

- Keep the protective cover in a safe place after installation in case of future use.

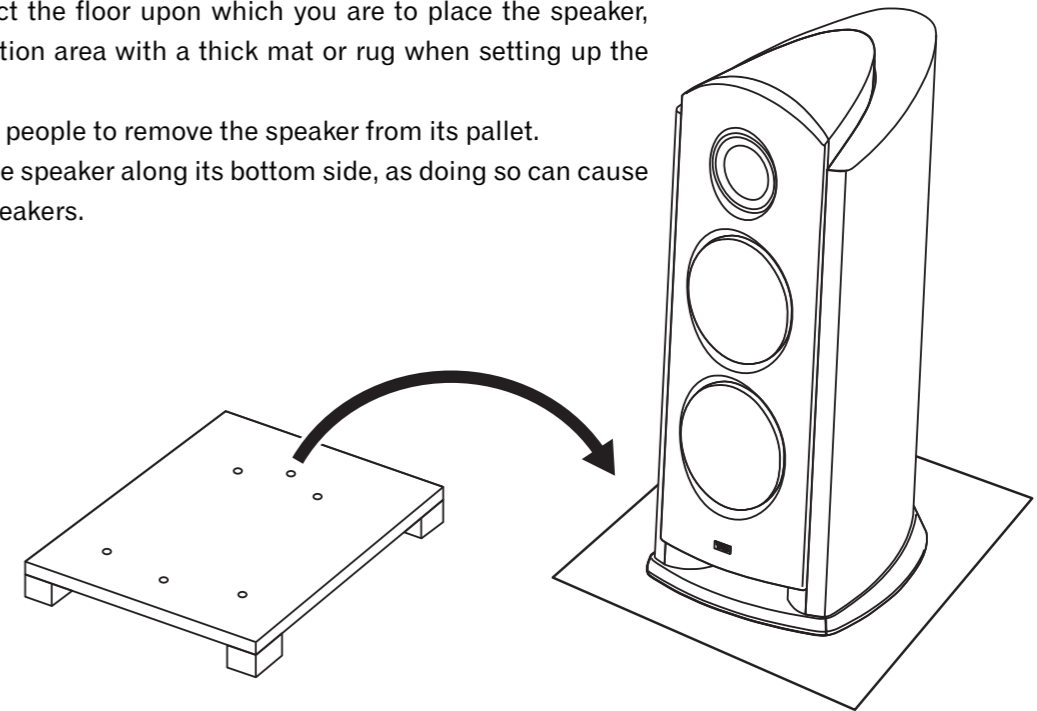


6. Take the speaker off the pallet.

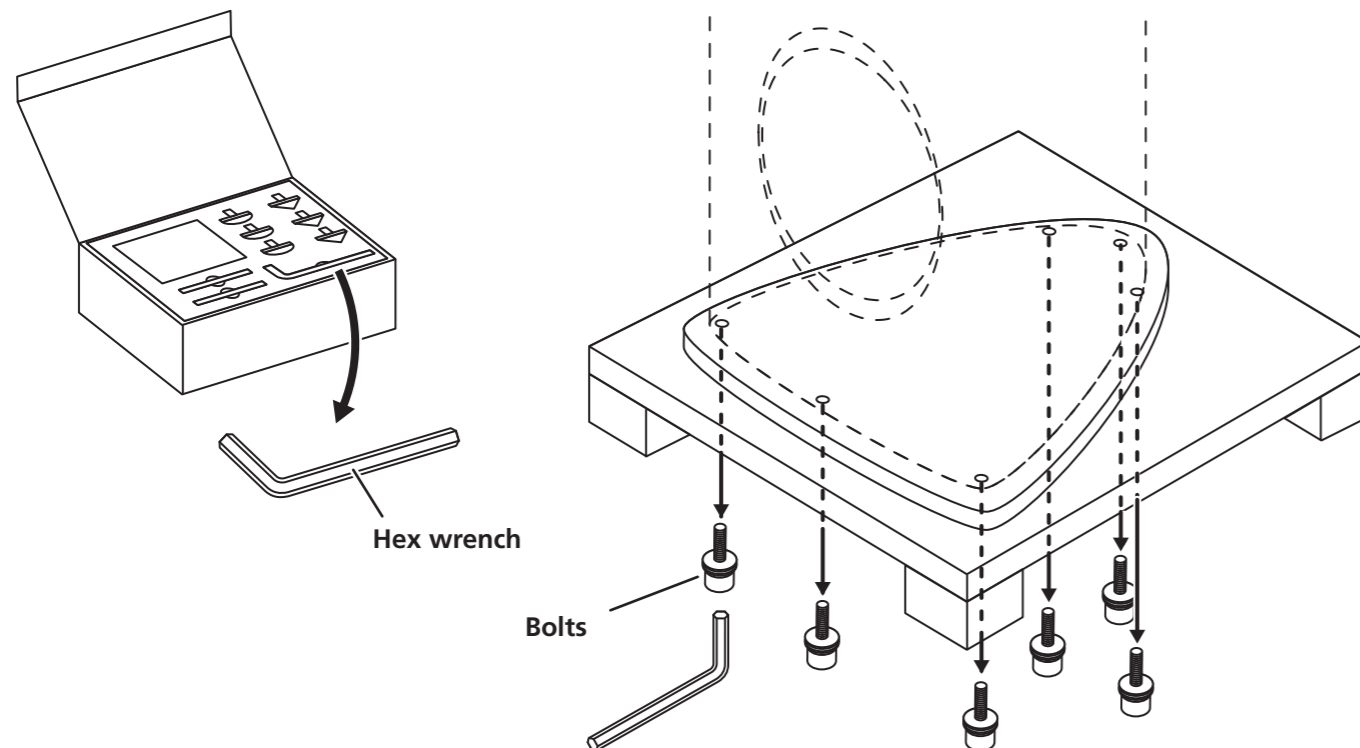


This speaker set is extremely heavy (150 kg, or 330 lb). Be careful when removing it from the pallet to prevent possible injury or damage to the speaker set.

- In order to protect the floor upon which you are to place the speaker, cover the installation area with a thick mat or rug when setting up the speakers.
- Use at least three people to remove the speaker from its pallet.
- Avoid dragging the speaker along its bottom side, as doing so can cause damage to the speakers.



5. Take the hex wrench out of the accessory kit, and use it to remove the six bolts from underneath the pallet that are keeping the speaker fixed to the pallet.



• About speaker setup

For more information about proper setup, please refer to the Owner's Manual. The Owner's Manual is located inside the Accessory Kit.

Published by Pioneer Corporation.
Copyright © 2009 TECHNICAL AUDIO DEVICES LABORATORIES, INC.
All rights reserved.

TECHNICAL AUDIO DEVICES LABORATORIES, INC.
<http://tad-labs.com>