

LX01

Setup Guide

Guide de configuration
 Aufstellungsanleitung
 Guida ai collegamenti
 Guía de instalación
 Instellingengids
 Руководство по настройке

DVD

- Power On
- HDD/DVR 1/2
- DVD
- Insert DVD
- Play
- Power Off

HDD

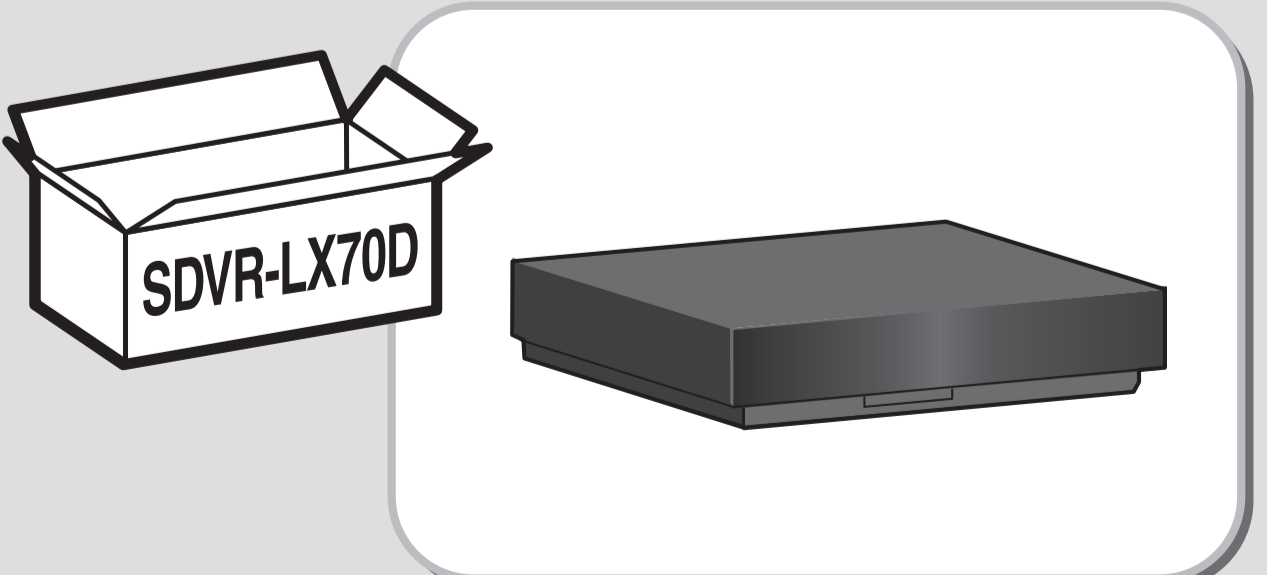
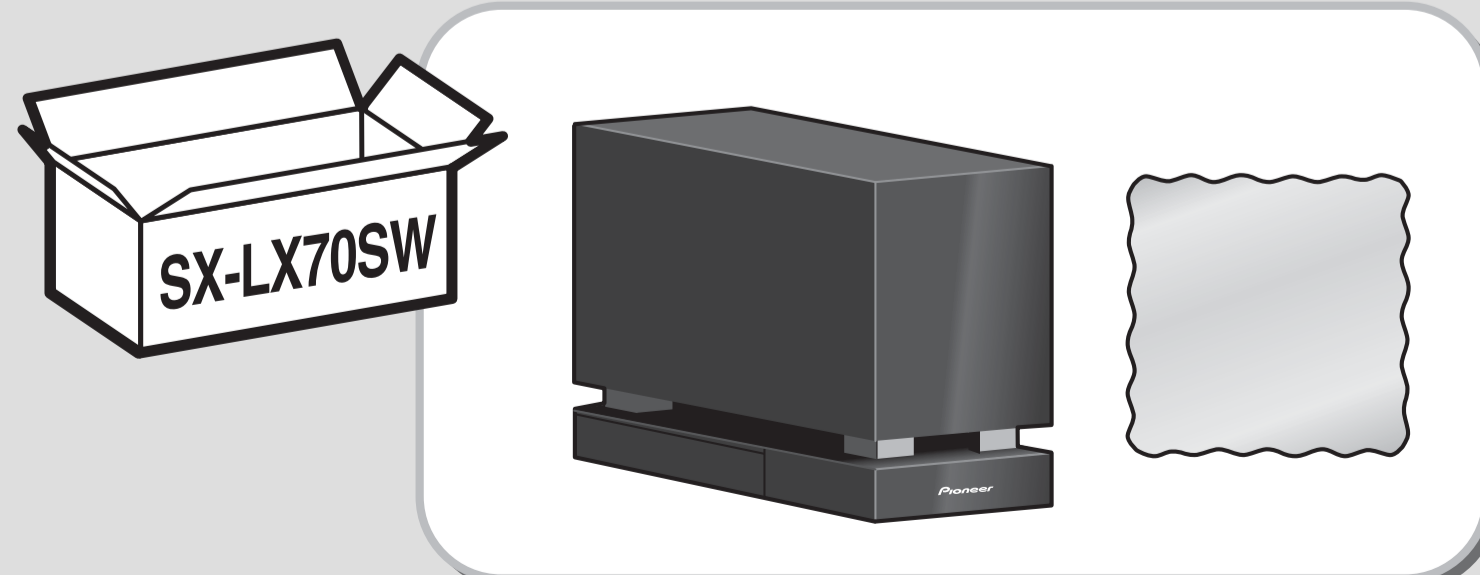
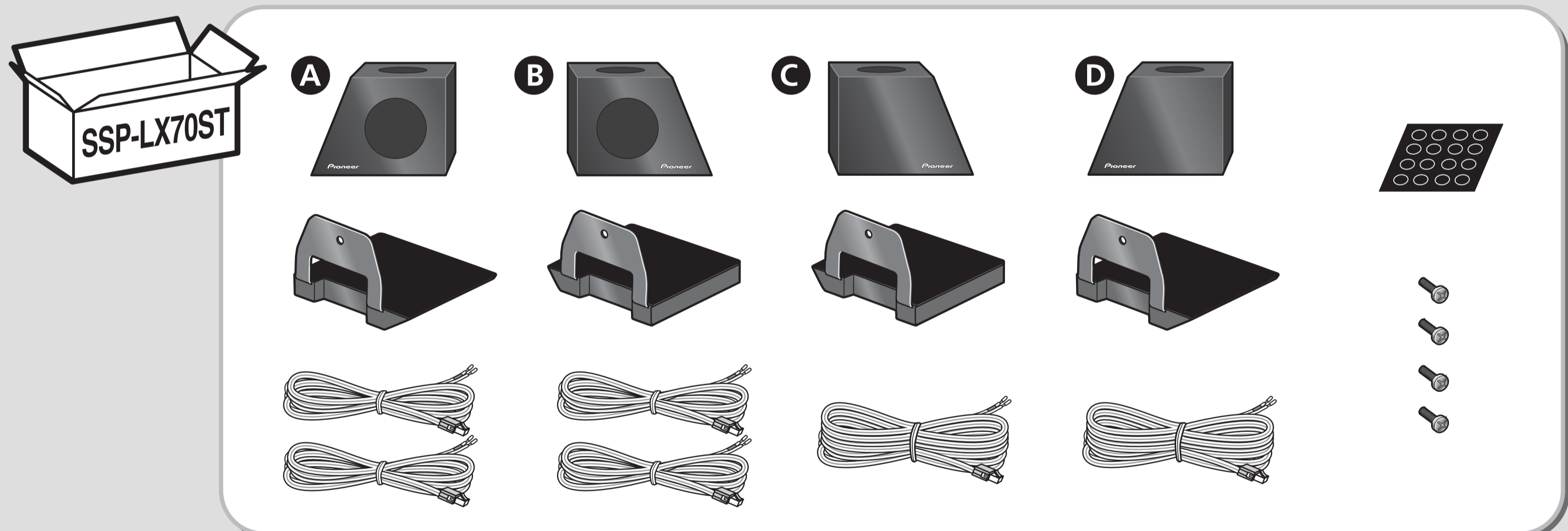
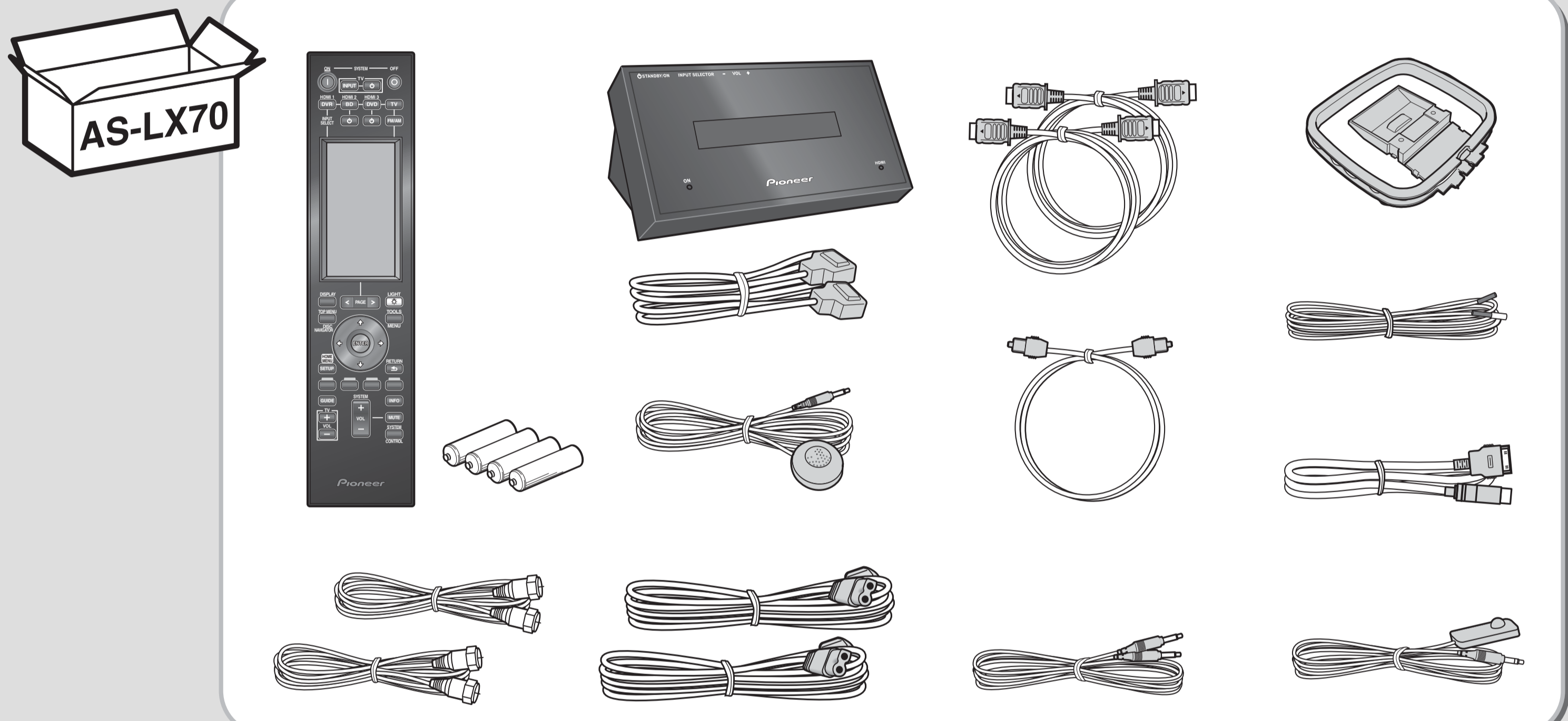
- Power On
- HDD/DVR 1/2
- HDD
- Insert HDD
- Play
- Power Off

FM/AM (Radio)

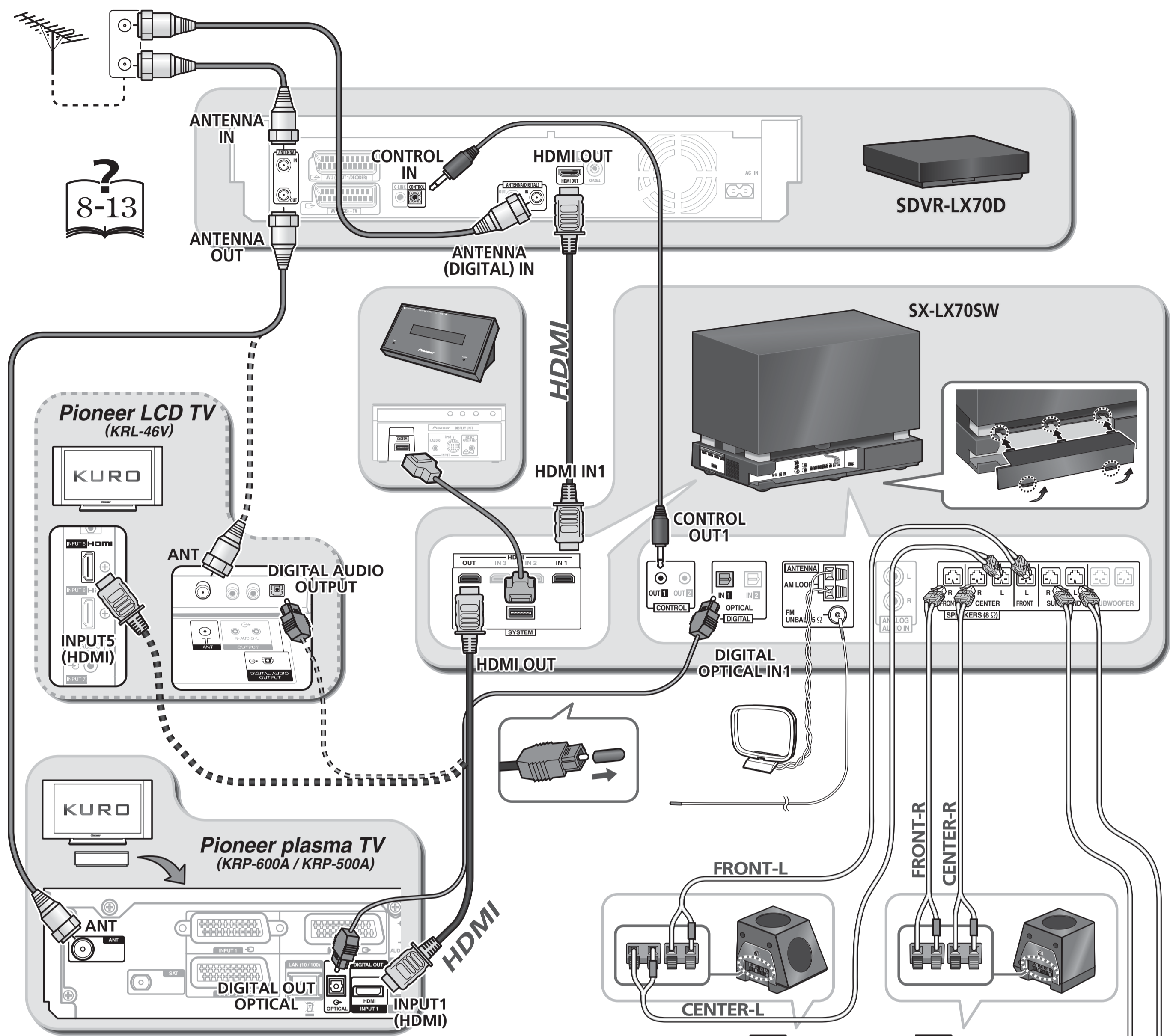
- Power On
- FM/AM
- FM 87.5MHz / AM 531kHz
- Power Off

KURO

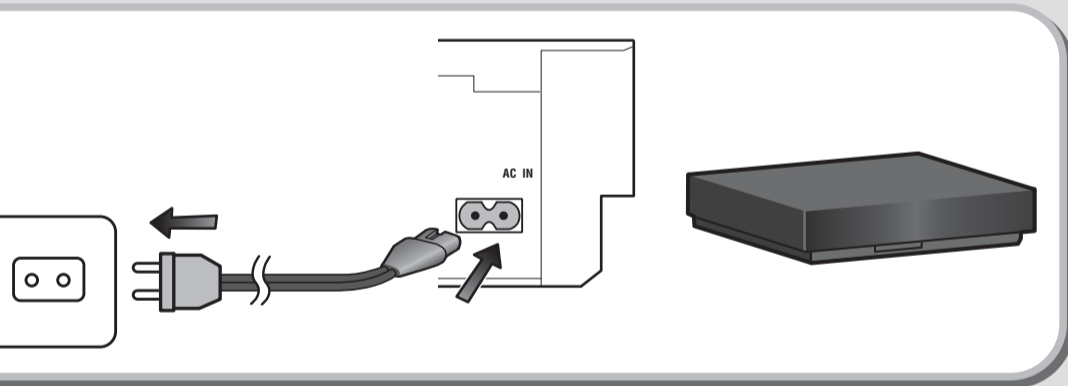
- Power On
- PDP 1/2
- Power Off



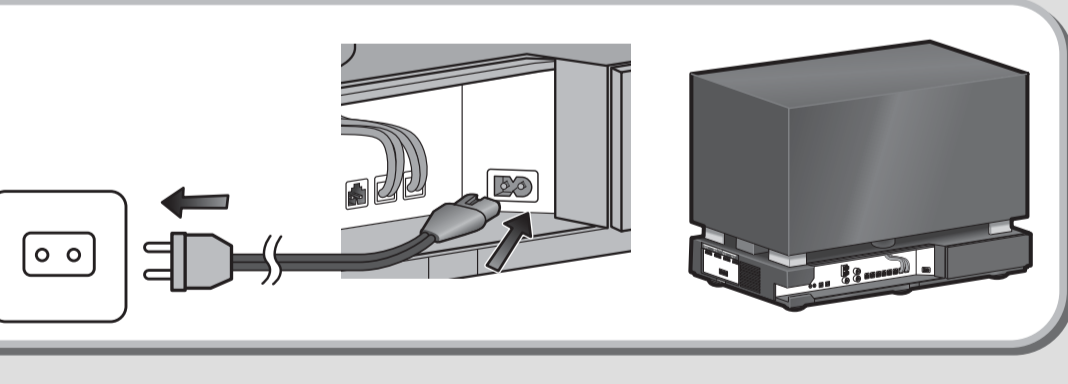
1



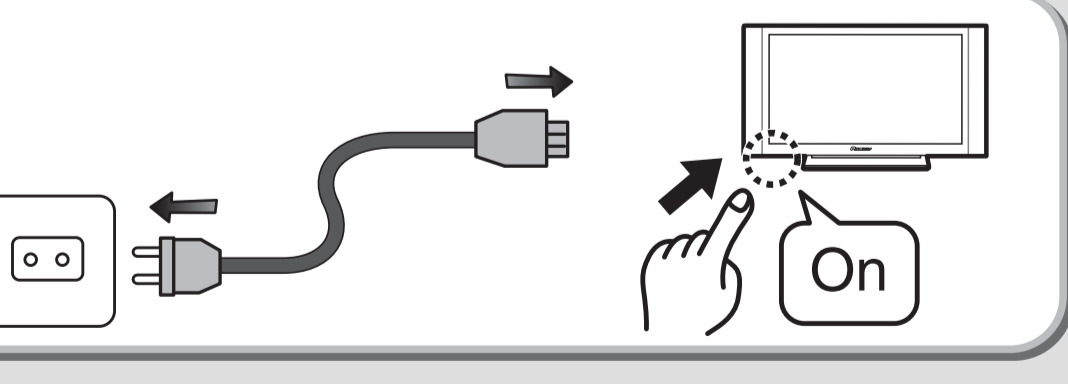
2



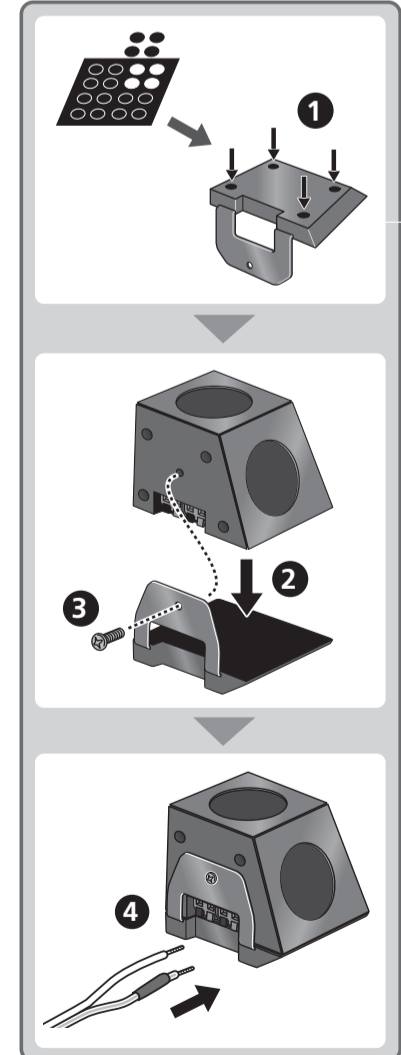
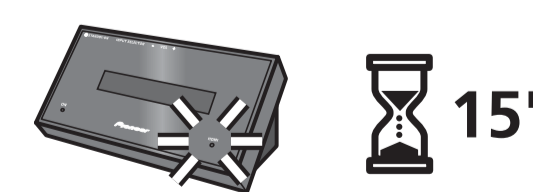
3



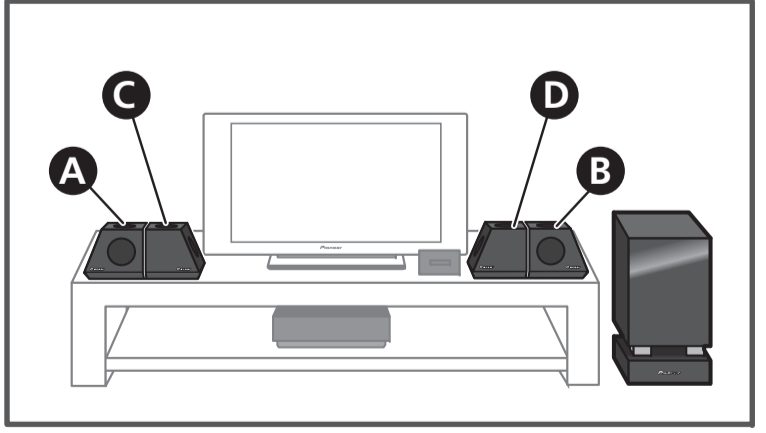
4



15"



6-7



for enjoying yourself ■ pour s'amuser
 um Spaß zu haben ■ per godere te ■ para su disfrute
 genieten van de mogelijkheden ■ для получения удовольствия

KURO LINK & MCACC

Pioneer plasma TV (KRP-600A / KRP-500A)

1. Turn on the TV. (On)
2. Press the **MCACC** button on the remote control.
3. Press the **INPUT** button on the remote control. (INPUT1)
4. Press the **MCACC** button again. The TV displays the MCACC menu.

Channel	Favourites
Input	EPG
Home Media Gallery	HDMI Control
Setup	Setup
Picture	Sound
Power Control	Sleep Timer
Option	System Setup
Favourites Setup	Position
Auto Size	Side Mask
HDMI Input	HDMI Control Setting
Blue LED Dimmer	Orbiter
Input Setting	: Off
Power Off Control	: Off
Power-On Ready	: On
Hold Sound Status	: Off
Input Setting	: INPUT1
Power Off Control	: On
Power-On Ready	: On
Hold Sound Status	: Off
5. Press the **MCACC** button again. The TV displays the MCACC menu.

Input Setting	: INPUT1
Power Off Control	: On
Power-On Ready	: On
Hold Sound Status	: Off

1. Turn on the TV. (On)
2. Press the **MCACC** button on the remote control. The TV displays the MCACC menu.

HDD/DVR	1/3
HDD/DVD	AUXE
BOX	PLIVE
TV	TV
3. Press the **MCACC** button again. The TV displays the MCACC menu.

MCACC	TEST
SOUND	SOUND
SLEEP	EXIT
4. Press the **MCACC** button again. The TV displays the MCACC menu.

SYSTEM	SURR	ADV	SURR	F.S.	SURR
GENRE	SOUND	CORRECT	LINE	TEST	SOUND
MCACC	TEST	SOUND	SOUND	SLEEP	EXIT
5. Press the **MCACC** button again. The TV displays the MCACC menu.

MCACC	TEST
SOUND	SOUND
SLEEP	EXIT
6. Press the **MCACC** button again. The TV displays the MCACC menu. (Off)

2

3