

Pioneer

Kullanıcı için önemli bilgiler

SAKLANABİLİR NAVİGASYON SİSTEMİ

AVIC-F220

Ürününüzü www.pioneer.eu adresine kaydetmeyi unutmayın

Bu broşürü ve bu navigasyon sistemi ile birlikte gelen CD-ROM üzerindeki İşletim Kılavuzu'nu mutlaka okuyun! Her iki doküman da bu navigasyon sistemini kullanmadan önce kavramanız gereken önemli bilgiler içermektedir.

Türkçe

R&TTE Yönergesi 1999/5/EC ile ilgili Uygunluk Bildirimi

İmalatçı:

Pioneer Corporation

1-1, Shin-ogura, Saiwai-ku, Kawasaki-shi,
Kanagawa 212-0031, Japan

AB Temsilciliği:

Pioneer Europe NV

Haven 1087, Keetberglaan 1,
9120 Melsele, Belgium
<http://www.pioneer.eu>



English:

Hereby, Pioneer, declares that this AVIC-F220 is in compliance with the essential requirements and other relevant provisions of Directive 1999/5/EC.

Suomi:

Pioneer vakuuttaa täten että AVIC-F220 tyyppinen laite on direktiivin 1999/5/EY oleellisten vaatimusten ja sitä koskevien direktiivin muiden ehtojen mukainen.

Nederlands:

Hierbij verklaart Pioneer dat het toestel AVIC-F220 in overeenstemming is met de essentiële eisen en de andere relevante bepalingen van richtlijn 1999/5/EG

Français:

Par la présente Pioneer déclare que l'appareil AVIC-F220 est conforme aux exigences essentielles et aux autres dispositions pertinentes de la directive 1999/5/CE

Svenska:

Härmed intygar Pioneer att denna AVIC-F220 står i överensstämmelse med de väsentliga egenskapskrav och övriga relevanta bestämmelser som framgår av direktiv 1999/5/EG.

Dansk:

Undertegnede Pioneer erklærer herved, at følgende udstyr AVIC-F220 overholder de væsentlige krav og øvrige relevante krav i direktiv 1999/5/EF

Deutsch:

Hiermit erkläre Pioneer, dass sich dieses AVIC-F220 in Übereinstimmung mit den grundlegenden Anforderungen und den anderen relevanten Vorschriften der Richtlinie 1999/5/EG befindet". (BMW)

Ελληνικά:

ΜΕ ΤΗΝ ΠΑΡΟΥΣΑ Pioneer ΔΗΛΩΝΕΙ ΟΤΙ AVIC-F220 ΣΥΜΜΟΡΦΩΝΕΤΑΙ ΠΡΟΣ ΤΙΣ ΟΥΣΙΩΔΕΙΣ ΑΠΑΙΤΗΣΕΙΣ ΚΑΙ ΤΙΣ ΛΟΙΠΕΣ ΣΧΕΤΙΚΕΣ ΔΙΑΤΑΞΕΙΣ ΤΗΣ ΟΔΗΓΙΑΣ 1999/5/ΕΚ

Italiano:

Con la presente Pioneer dichiara che questo AVIC-F220 è conforme ai requisiti essenziali ed alle altre disposizioni pertinenti stabilite dalla direttiva 1999/5/CE.

Español:

Por medio de la presente Pioneer declara que el AVIC-F220 cumple con los requisitos esenciales y cualesquiera otras disposiciones aplicables o exigibles de la Directiva 1999/5/CE

Português:

Pioneer declara que este AVIC-F220 está conforme com os requisitos essenciais e outras disposições da Directiva 1999/5/CE.

Čeština:

Pioneer tímto prohlašuje, že tento AVIC-F220 je ve shodě se základními požadavky a dalšími příslušnými ustanoveními směrnice 1999/5/ES

Eesti:

Käesolevaga kinnitab Pioneer seadme AVIC-F220 vastavust direktiivi 1999/5/EÜ põhinõuetele ja nimetatud direktiivist tulenevatele teistele asjakohastele sätetele.

Magyar:

Alulírott, Pioneer nyilatkozom, hogy a AVIC-F220 megfelel a vonatkozó alapvető követelményeknek és az 1999/5/EC irányelv egyéb előírásainak.

Latviešu valoda:

Ar šo Pioneer deklarē, ka AVIC-F220 atbilst Direktīvas 1999/5/EK būtiskajām prasībām un citiem ar to saistītajiem noteikumiem.

Lietuvių kalba:

Šiuo Pioneer deklaruoją, kad šis AVIC-F220 atitinka esminius reikalavimus ir kitas 1999/5/EB Direktyvos nuostatas.

Malti:

Hawnhekk, Pioneer jiddikjara li dan AVIC-F220 jikkonforma mal-htigijiet essenzjali u ma provvedimenti oħrajn relevanti li hemm fid-Direttiva 1999/5/EC

Slovenčina:

Pioneer týmto vyhlasuje, že AVIC-F220 splňa základné požiadavky a všetky príslušné ustanovenia Smernice 1999/5/ES.

Slovenščina:

Pioneer izjavlja, da je ta AVIC-F220 v skladu z bistvenimi zahtevami in ostalimi relevantnimi določili direktive 1999/5/ES.

Română:

Prin prezenta, Pioneer declara ca acest AVIC-F220 este in conformitate cu cerintele esentiale si alte prevederi ale Directivei 1999/5/EU.

български:

С настоящето, Pioneer декларира, че този AVIC-F220 отговаря на основните изисквания и други съответни постановления на Директива 1999/5/ЕС.

Polski:

Niniejszym Pioneer oświadcza, że AVIC-F220 jest zgodny z zasadniczymi wymogami oraz pozostałymi stosownymi postanowieniami Dyrektywy 1999/5/EC

Norsk:

Pioneer erklærer herved at utstyret AVIC-F220 er i samsvar med de grunnleggende krav og øvrige relevante krav i direktiv 1999/5/EF.

Íslenska:

Hér með lýsir Pioneer yfir því að AVIC-F220 er í samræmi við grunnkröfur og aðrar kröfur, sem gerðar eru í tilskipun 1999/5/EC

7-Zip

License for use and distribution

7-Zip Copyright (C) 1999-2007 Igor Pavlov.

Licenses for files are:

- 1) 7z.dll: GNU LGPL + unRAR restriction
- 2) All other files: GNU LGPL

The GNU LGPL + unRAR restriction means that you must follow both GNU LGPL rules and unRAR restriction rules.

Note:

- You can use 7-Zip on any computer, including a computer in a commercial organization. You don't need to register or pay for 7-Zip.

GNU LGPL information

This library is free software; you can redistribute it and/or modify it under the terms of the GNU Lesser General Public License as published by the Free Software Foundation; either version 2.1 of the License, or (at your option) any later version.

This library is distributed in the hope that it will be useful, but WITHOUT ANY WARRANTY; without even the implied warranty of MERCHANTABILITY or FITNESS FOR A PARTICULAR PURPOSE. See the GNU Lesser General Public License for more details.

You should have received a copy of the GNU Lesser General Public License along with this library; if not, write to the Free Software Foundation, Inc., 59 Temple Place, Suite 330, Boston, MA 02111-1307 USA

unRAR restriction

The decompression engine for RAR archives was developed using source code of unRAR program. All copyrights to original unRAR code are owned by Alexander Roshal.

The license for original unRAR code has the following restriction:

The unRAR sources cannot be used to re-create the RAR compression algorithm, which is proprietary. Distribution of modified unRAR sources in separate form or as a part of other software is permitted, provided that it is clearly stated in the documentation and source comments that the code may not be used to develop a RAR (WinRAR) compatible archiver.

GNU LESSER GENERAL PUBLIC LICENSE

Version 2.1, February 1999

Copyright (C) 1991, 1999 Free Software Foundation, Inc.
59 Temple Place, Suite 330, Boston, MA 02111-1307 USA

Everyone is permitted to copy and distribute

verbatim copies of this license document, but changing it is not allowed.

[This is the first released version of the Lesser GPL. It also counts as the successor of the GNU Library Public License, version 2, hence the version number 2.1.]

Preamble

The licenses for most software are designed to take away your freedom to share and change it. By contrast, the GNU General Public Licenses are intended to guarantee your freedom to share and change free software--to make sure the software is free for all its users.

This license, the Lesser General Public License, applies to some specially designated software packages--typically libraries--of the Free Software Foundation and other authors who decide to use it. You can use it too, but we suggest you first think carefully about whether this license or the ordinary General Public License is the better strategy to use in any particular case, based on the explanations below.

When we speak of free software, we are referring to freedom of use, not price. Our General Public Licenses are designed to make sure that you have the freedom to distribute copies of free software (and charge for this service if you wish); that you receive source code or can get it if you want it; that you can change the software and use pieces of it in new free programs; and that you are informed that you can do these things.

To protect your rights, we need to make restrictions that forbid distributors to deny you these rights or to ask you to surrender these rights. These restrictions translate to certain responsibilities for you if you distribute copies of the library or if you modify it.

For example, if you distribute copies of the library, whether gratis or for a fee, you must give the recipients all the rights that we gave you. You must make sure that they, too, receive or can get the source code. If you link other code with the library, you must provide complete object files to the recipients, so that they can relink them with the library after making changes to the library and recompiling it. And you must show them these terms so they know their rights.

We protect your rights with a two-step method: (1) we copyright the library, and (2) we offer you this license, which gives you legal permission to copy, distribute and/or modify the library.

To protect each distributor, we want to make it very clear that there is no warranty for the free library. Also, if the library is modified by someone else and passed on, the recipients should know that what they have is not the original version, so that the original author's reputation will not be affected by problems that might be introduced by others.

Finally, software patents pose a constant threat to the existence of any free program. We wish to make sure that a company cannot effectively restrict the users of a free program by obtaining a restrictive license from a patent holder. Therefore, we insist that any patent license obtained for a version of the library must be consistent with the full freedom of use specified in this license.

Most GNU software, including some libraries, is covered by the ordinary GNU General Public License. This license, the GNU Lesser General Public License, applies to certain designated libraries, and is quite different from the ordinary General Public License. We use this license for certain libraries in order to permit linking those libraries into non-free programs.

When a program is linked with a library, whether statically or using a shared library, the combination of the two is legally speaking a combined work, a derivative of the original library. The ordinary General Public License therefore permits such linking only if the entire combination fits its criteria of freedom. The Lesser General Public License permits more lax criteria for linking other code with the library.

We call this license the “Lesser” General Public License because it does Less to protect the user’s freedom than the ordinary General Public License. It also provides other free software developers Less of an advantage over competing non-free programs. These disadvantages are the reason we use the ordinary General Public License for many libraries. However, the Lesser license provides advantages in certain special circumstances.

For example, on rare occasions, there may be a special need to encourage the widest possible use of a certain library, so that it becomes a de-facto standard. To achieve this, non-free programs must be allowed to use the library. A more frequent case is that a free library does the same job as widely used non-free libraries. In this case, there is little to gain by limiting the free library to free software only, so we use the Lesser General Public License.

In other cases, permission to use a particular library in non-free programs enables a greater number of people to use a large body of free software. For example, permission to use the GNU C Library in non-free programs enables many more people to use the whole GNU operating system, as well as its variant, the GNU/Linux operating system.

Although the Lesser General Public License is Less protective of the users’ freedom, it does ensure that the user of a program that is linked with the Library has the freedom and the wherewithal to run that program using a modified version of the Library.

The precise terms and conditions for copying, distribution and modification follow. Pay close attention to the difference between a “work based on the library” and a “work that uses the library”. The former contains code derived from the library,

whereas the latter must be combined with the library in order to run.

GNU LESSER GENERAL PUBLIC LICENSE

TERMS AND CONDITIONS FOR COPYING, DISTRIBUTION AND MODIFICATION

0. This License Agreement applies to any software library or other program which contains a notice placed by the copyright holder or other authorized party saying it may be distributed under the terms of this Lesser General Public License (also called “this License”).

Each licensee is addressed as “you”.

A “library” means a collection of software functions and/or data prepared so as to be conveniently linked with application programs (which use some of those functions and data) to form executables.

The “Library”, below, refers to any such software library or work which has been distributed under these terms. A “work based on the Library” means either the Library or any derivative work under copyright law: that is to say, a work containing the Library or a portion of it, either verbatim or with modifications and/or translated straightforwardly into another language. (Hereinafter, translation is included without limitation in the term “modification”.)

“Source code” for a work means the preferred form of the work for making modifications to it. For a library, complete source code means all the source code for all modules it contains, plus any associated interface definition files, plus the scripts used to control compilation and installation of the library.

Activities other than copying, distribution and modification are not covered by this License; they are outside its scope. The act of running a program using the Library is not restricted, and output from such a program is covered only if its contents constitute a work based on the Library (independent of the use of the Library in a tool for writing it). Whether that is true depends on what the Library does and what the program that uses the Library does.

1. You may copy and distribute verbatim copies of the Library’s complete source code as you receive it, in any medium, provided that you conspicuously and appropriately publish on each copy an appropriate copyright notice and disclaimer of warranty; keep intact all the notices that refer to this License and to the absence of any warranty; and distribute a copy of this License along with the Library.

You may charge a fee for the physical act of transferring a copy, and you may at your option offer warranty protection in exchange for a fee.

2. You may modify your copy or copies of the Library or any portion of it, thus forming a work based on the Library, and copy and distribute such modifications

or work under the terms of Section 1 above, provided that you also meet all of these conditions:

- a) The modified work must itself be a software library.
- b) You must cause the files modified to carry prominent notices stating that you changed the files and the date of any change.
- c) You must cause the whole of the work to be licensed at no charge to all third parties under the terms of this License.
- d) If a facility in the modified Library refers to a function or a table of data to be supplied by an application program that uses the facility, other than as an argument passed when the facility is invoked, then you must make a good faith effort to ensure that, in the event an application does not supply such function or table, the facility still operates, and performs whatever part of its purpose remains meaningful.

(For example, a function in a library to compute square roots has a purpose that is entirely well-defined independent of the application.

Therefore, Subsection 2d requires that any application-supplied function or table used by this function must be optional: if the application does not supply it, the square root function must still compute square roots.)

These requirements apply to the modified work as a whole. If identifiable sections of that work are not derived from the Library, and can be reasonably considered independent and separate works in themselves, then this License, and its terms, do not apply to those sections when you distribute them as separate works. But when you distribute the same sections as part of a whole which is a work based on the Library, the distribution of the whole must be on the terms of this License, whose permissions for other licensees extend to the entire whole, and thus to each and every part regardless of who wrote it.

Thus, it is not the intent of this section to claim rights or contest your rights to work written entirely by you; rather, the intent is to exercise the right to control the distribution of derivative or collective works based on the Library.

In addition, mere aggregation of another work not based on the Library with the Library (or with a work based on the Library) on a volume of a storage or distribution medium does not bring the other work under the scope of this License.

3. You may opt to apply the terms of the ordinary GNU General Public License instead of this License to a given copy of the Library. To do this, you must alter all the notices that refer to this License, so that they refer to the ordinary GNU General Public License, version 2, instead of to this License. (If a newer version than version 2 of the ordinary GNU General Public License has appeared, then you can specify that version instead if you wish.) Do not make any other change in these notices.

Once this change is made in a given copy, it is irreversible for that copy, so the ordinary GNU General Public License applies to all subsequent copies and derivative works made from that copy.

This option is useful when you wish to copy part of the code of the Library into a program that is not a library.

4. You may copy and distribute the Library (or a portion or derivative of it, under Section 2) in object code or executable form under the terms of Sections 1 and 2 above provided that you accompany it with the complete corresponding machine-readable source code, which must be distributed under the terms of Sections 1 and 2 above on a medium customarily used for software interchange.

If distribution of object code is made by offering access to copy from a designated place, then offering equivalent access to copy the source code from the same place satisfies the requirement to distribute the source code, even though third parties are not compelled to copy the source along with the object code.

5. A program that contains no derivative of any portion of the Library, but is designed to work with the Library by being compiled or linked with it, is called a “work that uses the Library”. Such a work, in isolation, is not a derivative work of the Library, and therefore falls outside the scope of this License.

However, linking a “work that uses the Library” with the Library creates an executable that is a derivative of the Library (because it contains portions of the Library), rather than a “work that uses the library”. The executable is therefore covered by this License. Section 6 states terms for distribution of such executables.

When a “work that uses the Library” uses material from a header file that is part of the Library, the object code for the work may be a derivative work of the Library even though the source code is not.

Whether this is true is especially significant if the work can be linked without the Library, or if the work is itself a library. The threshold for this to be true is not precisely defined by law.

If such an object file uses only numerical parameters, data structure layouts and accessors, and small macros and small inline functions (ten lines or less in length), then the use of the object file is unrestricted, regardless of whether it is legally a derivative work. (Executables containing this object code plus portions of the Library will still fall under Section 6.)

Otherwise, if the work is a derivative of the Library, you may distribute the object code for the work under the terms of Section 6.

Any executables containing that work also fall under Section 6, whether or not they are linked directly with the Library itself.

6. As an exception to the Sections above, you may also combine or link a “work that uses the Library”

with the Library to produce a work containing portions of the Library, and distribute that work under terms of your choice, provided that the terms permit modification of the work for the customer's own use and reverse engineering for debugging such modifications.

You must give prominent notice with each copy of the work that the Library is used in it and that the Library and its use are covered by this License. You must supply a copy of this License. If the work during execution displays copyright notices, you must include the copyright notice for the Library among them, as well as a reference directing the user to the copy of this License. Also, you must do one of these things:

- a) Accompany the work with the complete corresponding machine-readable source code for the Library including whatever changes were used in the work (which must be distributed under Sections 1 and 2 above); and, if the work is an executable linked with the Library, with the complete machine-readable "work that uses the Library", as object code and/or source code, so that the user can modify the Library and then relink to produce a modified executable containing the modified Library. (It is understood that the user who changes the contents of definitions files in the Library will not necessarily be able to recompile the application to use the modified definitions.)
- b) Use a suitable shared library mechanism for linking with the Library. A suitable mechanism is one that (1) uses at run time a copy of the library already present on the user's computer system, rather than copying library functions into the executable, and (2) will operate properly with a modified version of the library, if the user installs one, as long as the modified version is interface-compatible with the version that the work was made with.
- c) Accompany the work with a written offer, valid for at least three years, to give the same user the materials specified in Subsection 6a, above, for a charge no more than the cost of performing this distribution.
- d) If distribution of the work is made by offering access to copy from a designated place, offer equivalent access to copy the above specified materials from the same place.
- e) Verify that the user has already received a copy of these materials or that you have already sent this user a copy.

For an executable, the required form of the "work that uses the Library" must include any data and utility programs needed for reproducing the executable from it. However, as a special exception, the materials to be distributed need not include anything that is normally distributed (in either source or binary form) with the major components (compiler, kernel, and so on) of the operating system on which

the executable runs, unless that component itself accompanies the executable.

It may happen that this requirement contradicts the license restrictions of other proprietary libraries that do not normally accompany the operating system. Such a contradiction means you cannot use both them and the Library together in an executable that you distribute.

7. You may place library facilities that are a work based on the Library side-by-side in a single library together with other library facilities not covered by this License, and distribute such a combined library, provided that the separate distribution of the work based on the Library and of the other library facilities is otherwise permitted, and provided that you do these two things:

- a) Accompany the combined library with a copy of the same work based on the Library, uncombined with any other library facilities. This must be distributed under the terms of the Sections above.
- b) Give prominent notice with the combined library of the fact that part of it is a work based on the Library, and explaining where to find the accompanying uncombined form of the same work.

8. You may not copy, modify, sublicense, link with, or distribute the Library except as expressly provided under this License. Any attempt otherwise to copy, modify, sublicense, link with, or distribute the Library is void, and will automatically terminate your rights under this License. However, parties who have received copies, or rights, from you under this License will not have their licenses terminated so long as such parties remain in full compliance.

9. You are not required to accept this License, since you have not signed it. However, nothing else grants you permission to modify or distribute the Library or its derivative works. These actions are prohibited by law if you do not accept this License. Therefore, by modifying or distributing the Library (or any work based on the Library), you indicate your acceptance of this License to do so, and all its terms and conditions for copying, distributing or modifying the Library or works based on it.

10. Each time you redistribute the Library (or any work based on the Library), the recipient automatically receives a license from the original licensor to copy, distribute, link with or modify the Library subject to these terms and conditions. You may not impose any further restrictions on the recipients' exercise of the rights granted herein. You are not responsible for enforcing compliance by third parties with this License.

11. If, as a consequence of a court judgment or allegation of patent infringement or for any other reason (not limited to patent issues), conditions are imposed on you (whether by court order, agreement or otherwise) that contradict the conditions of this License, they do not excuse you from the conditions of this License. If you cannot distribute so as to

satisfy simultaneously your obligations under this License and any other pertinent obligations, then as a consequence you may not distribute the Library at all. For example, if a patent license would not permit royalty-free redistribution of the Library by all those who receive copies directly or indirectly through you, then the only way you could satisfy both it and this License would be to refrain entirely from distribution of the Library.

If any portion of this section is held invalid or unenforceable under any particular circumstance, the balance of the section is intended to apply, and the section as a whole is intended to apply in other circumstances.

It is not the purpose of this section to induce you to infringe any patents or other property right claims or to contest validity of any such claims; this section has the sole purpose of protecting the integrity of the free software distribution system which is implemented by public license practices. Many people have made generous contributions to the wide range of software distributed through that system in reliance on consistent application of that system; it is up to the author/donor to decide if he or she is willing to distribute software through any other system and a licensee cannot impose that choice.

This section is intended to make thoroughly clear what is believed to be a consequence of the rest of this License.

12. If the distribution and/or use of the Library is restricted in certain countries either by patents or by copyrighted interfaces, the original copyright holder who places the Library under this License may add an explicit geographical distribution limitation excluding those countries, so that distribution is permitted only in or among countries not thus excluded. In such case, this License incorporates the limitation as if written in the body of this License.

13. The Free Software Foundation may publish revised and/or new versions of the Lesser General Public License from time to time. Such new versions will be similar in spirit to the present version, but may differ in detail to address new problems or concerns.

Each version is given a distinguishing version number. If the Library specifies a version number of this License which applies to it and “any later version”, you have the option of following the terms and conditions either of that version or of any later version published by the Free Software Foundation. If the Library does not specify a license version number, you may choose any version ever published by the Free Software Foundation.

14. If you wish to incorporate parts of the Library into other free programs whose distribution conditions are incompatible with these, write to the author to ask for permission. For software which is copyrighted by the Free Software Foundation, write to the Free Software Foundation; we sometimes make exceptions for this. Our decision will be guided by the two goals of preserving the free status of all

derivatives of our free software and of promoting the sharing and reuse of software generally.

NO WARRANTY

15. BECAUSE THE LIBRARY IS LICENSED FREE OF CHARGE, THERE IS NO WARRANTY FOR THE LIBRARY, TO THE EXTENT PERMITTED BY APPLICABLE LAW.

EXCEPT WHEN OTHERWISE STATED IN WRITING THE COPYRIGHT HOLDERS AND/OR OTHER PARTIES PROVIDE THE LIBRARY “AS IS” WITHOUT WARRANTY OF ANY KIND, EITHER EXPRESSED OR IMPLIED, INCLUDING, BUT NOT LIMITED TO, THE IMPLIED WARRANTIES OF MERCHANTABILITY AND FITNESS FOR A PARTICULAR PURPOSE. THE ENTIRE RISK AS TO THE QUALITY AND PERFORMANCE OF THE LIBRARY IS WITH YOU. SHOULD THE LIBRARY PROVE DEFECTIVE, YOU ASSUME THE COST OF ALL NECESSARY SERVICING, REPAIR OR CORRECTION.

16. IN NO EVENT UNLESS REQUIRED BY APPLICABLE LAW OR AGREED TO IN WRITING WILL ANY COPYRIGHT HOLDER, OR ANY OTHER PARTY WHO MAY MODIFY AND/OR REDISTRIBUTE THE LIBRARY AS PERMITTED ABOVE, BE LIABLE TO YOU FOR DAMAGES, INCLUDING ANY GENERAL, SPECIAL, INCIDENTAL OR CONSEQUENTIAL DAMAGES ARISING OUT OF THE USE OR INABILITY TO USE THE LIBRARY (INCLUDING BUT NOT LIMITED TO LOSS OF DATA OR DATA BEING RENDERED INACCURATE OR LOSSES SUSTAINED BY YOU OR THIRD PARTIES OR A FAILURE OF THE LIBRARY TO OPERATE WITH ANY OTHER SOFTWARE), EVEN IF SUCH HOLDER OR OTHER PARTY HAS BEEN ADVISED OF THE POSSIBILITY OF SUCH DAMAGES.

END OF TERMS AND CONDITIONS

How to Apply These Terms to Your New Libraries

If you develop a new library, and you want it to be of the greatest possible use to the public, we recommend making it free software that everyone can redistribute and change. You can do so by permitting redistribution under these terms (or, alternatively, under the terms of the ordinary General Public License).

To apply these terms, attach the following notices to the library. It is safest to attach them to the start of each source file to most effectively convey the exclusion of warranty; and each file should have at least the “copyright” line and a pointer to where the full notice is found.

<one line to give the library's name and a brief idea of what it does.>

Copyright (C) <year> <name of author>

This library is free software; you can redistribute it and/or modify it under the terms of the GNU Lesser General Public License as published by the Free Software Foundation; either version 2.1 of the License, or (at your option) any later version.

This library is distributed in the hope that it will be useful, but WITHOUT ANY WARRANTY; without even the implied warranty of MERCHANTABILITY or FITNESS FOR A PARTICULAR PURPOSE. See the GNU Lesser General Public License for more details.

You should have received a copy of the GNU Lesser General Public License along with this library; if not, write to the Free Software Foundation, Inc., 59 Temple Place, Suite 330, Boston, MA 02111-1307 USA

Also add information on how to contact you by electronic and paper mail.

You should also get your employer (if you work as a programmer) or your school, if any, to sign a "copyright disclaimer" for the library, if necessary. Here is a sample; alter the names:

Yoyodyne, Inc., hereby disclaims all copyright interest in the library 'Frob' (a library for tweaking knobs) written by James Random Hacker.

<signature of Ty Coon>, 1 April 1990
Ty Coon, President of Vice

That's all there is to it!

7-Zip Source Notice

The software program used in this product contains 7-Zip library. 7-Zip contains the software granted permission for the usage under the terms of the GNU Lesser General Public License. A copy of appropriate source code is available at customer necessary expense for the distribution.

Please contact our Customer Support Center to obtain a copy. For more information on the GNU Lesser General Public License, visit the GNU's website at <http://www.gnu.org>.

Portions of the software in this product are copyright 1996 – 2007 The FreeType Project (www.freetype.org).

All rights reserved. Licensed under the Free- Type Project LICENSE, 2006-Jan-27. (<http://www.freetype.org/FTL.TXT>)

Bu Pioneer ürününü satın aldığınız için teşekkürler

Modelinizi doğru çalıştırmak için, lütfen, bu işletim kılavuzunu okuyunuz. *Talimatları okumayı bitirdikten sonra, ileride başvurabilmek için kılavuzu emin bir yerde saklayın.*

Ön uyarı	10
Eski ekipman ve kullanılan pillerin toplanması ve elden çıkarılması ile ilgili olarak kullanıcılara yönelik bilgiler	10
Entegre pille ilgili olarak dikkat edilmesi gereken hususlar	10
• Pilin değiştirilmesi	10
• Pilin elden çıkarılması	11
Lisans anlaşması	12
PIONEER AVIC-F220	12
TELE ATLAS VERİLERİNE İLİŞKİN KOŞULLAR	14
• Son kullanıcı lisanslama koşulları	14
Veritabanı hakkında	19
Harita veritabanına ilişkin veriler hakkında	19
Önemli güvenlik bilgileri	20
Sökülebilir aygıtla ilgili olarak dikkat edilmesi gereken hususlar	21
• Sökülebilir aygıtın pilinin şarj edilmesi	21
Eko-sürüş işlevi	22
Yakıt maliyeti yönetimi	22
Trafik bilgileri	22
Hız sınırı göstergesi	22
Ek güvenlik bilgileri	23
El freni dahili kilitleme sistemi	23
Akünün boşalmasını önleme	23
SD kart yuvasının kullanılması	23
USB bağlantı noktasının kullanılması (Mini-B)	23
Sistemi kullanmadan önce okunması gerekenler	24
Sorunla karşılaşıldığında yapılacaklar	24
Web sitemizi ziyaret edin	24
Bu ürün hakkında	24
Ürünle birlikte verilen CD-ROM	24

Eski ekipman ve kullanılan pillerin toplanması ve elden çıkarılması ile ilgili olarak kullanıcılara yönelik bilgiler

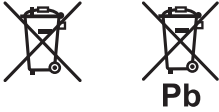
(Ekipman için simge)



Ürünlerin, ambalajların ve/veya beraberinde teslim edilen dokümanların üzerindeki bu simgeler, kullanılan elektrikli ve elektronik ürünlerin ve pillerin genel evsel atıklarla birlikte karıştırılarak elden çıkarılmamaları gerektiğini ifade eder.

Eski ürünlerin ve kullanılan pillerin uygun şekilde işlenmeleri, geri kazanımlarının ve geri dönüşümlerinin sağlanması için, ulusal yasalara uygun olarak, lütfen bunları uygun toplama noktalarına bırakınız.

(Piller için simge örnekleri)



Bu ürünlerin ve pillerin doğru şekilde elden çıkarılmaları sayesinde, değerli kaynakların israf edilmemesine ve atıkların yanlış şekilde elden çıkarılmaları yüzünden meydana gelebilecek türden insan sağlığı ve çevre üzerindeki olası olumsuz etkilerin önlenmesine katkıda bulunacaksınız.

Eski ürünlerin ve pillerin toplanması ve geri dönüşümlerinin sağlanması hakkında ayrıntılı bilgi almak için, lütfen bağlı bulunduğunuz belediye yetkilileri, atıkları elden çıkarma birimi görevlileri veya malzemenin satın alındığı satış noktası görevlileri ile temasa geçiniz.

Bu simgeler, sadece Avrupa Birliği bünyesinde geçerlidirler.

Avrupa Birliği haricindeki ülkeler için:

Bu ürünleri elden çıkarmak istiyorsanız, elden çıkarma işlemini usulüne uygun olarak

yapabilmek için, lütfen, yerel otoritelerle veya bayiiniz ile temasa geçiniz.

Entegre pille ilgili olarak dikkat edilmesi gereken hususlar

⚠ DİKKAT

- Piller (pil grubu ya da takılı piller) güneş ışığı, ateş ve benzeri aşırı ısılarla maruz bırakılmamalıdır.
- Yanlış yerleştirilmesi durumunda, pil patlayabilir. Pili kendi başınıza değiştirmeyin.
- Sadece bu ürüne ait entegre pili kullandığınızdan emin olun. Başka herhangi bir pilin kullanılması tehlikelidir ve arızaya yol açabilir.
- Kazara yutmamaları için pili küçük çocukların erişemeyecekleri bir yerde saklayın.
- Sökülebilir aygıtı veya entegre pilin kendisini darbelere ve sarsıntılara maruz bırakmayın.
- Hasarlı ya da sızıntı yapan pili kullanmayın. Pilin aktığı durumlarda, sökülebilir aygıtı silerek tamamen temizleyin ve bayiinize ya da en yakın Pioneer Yetkili Servisi'ne başvurun.
- Sızan sıvının gözle temas etmesi durumunda, gözlerinizi derhal ovuşturmadan suyla yıkayın.
- Pilde sızıntı olması durumunda, sızan sıvıdan çıkan buharları solumayın. Bu buharların solunması, bilinç kaybına yol açabilir.
- Pili metal aletlerle tutmayın. Bu pili metal malzemelerle birlikte saklamayın.
- Kullanılmış pilleri elden çıkarırken ülkenize/ bölgenize uygun idari yönetmeliklerine veya çevresel kamu kuruluşlarının kurallarına riayet edin.

Pilin değiştirilmesi

⚠ UYARI

Hiçbir koşulda pili kendi başınıza değiştirmeye kalkışmayın.

Ön uyarı

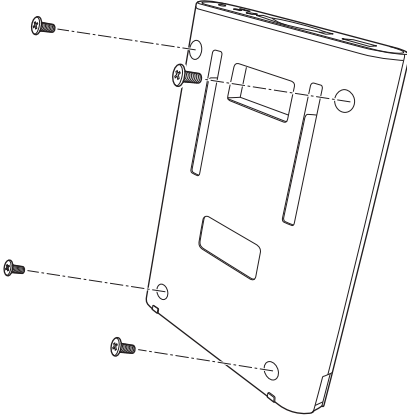
Pil sadece Pioneer servis personeli tarafından değiştirilebilir.

Pilin elden çıkarılması

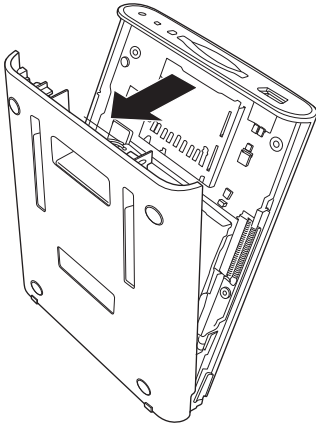
⚠ DİKKAT

Pili elden çıkarma amacı dışında kapağı açmayın.

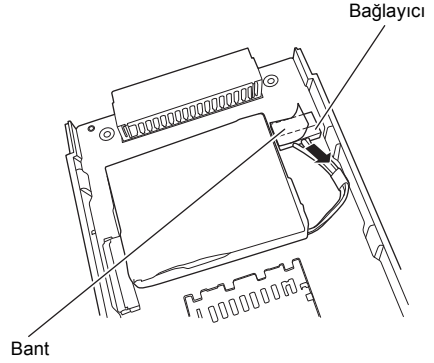
1. Sökülebilir aygıtın arkasındaki vidaları sökün.



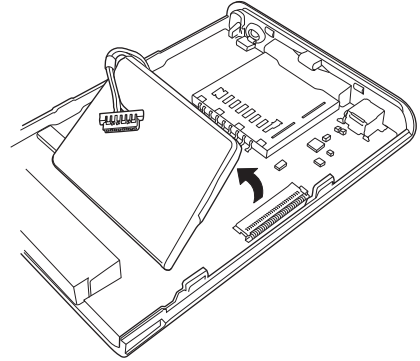
2. Arka kapağı açın.



3. Bandı sıyrın ve pil bağlayıcısını sökün.



4. Pili çıkarın.



PIONEER AVIC-F220

İŞBU BELGE, SON KULLANICI OLARAK SİZİNLE PIONEER CORP. (JAPONYA) ("PIONEER") ARASINDA HUKUKİ BİR ANLAŞMADIR. PIONEER ÜRÜNLERİNDE KURULU YAZILIMI KULLANMAYA BAŞLAMADAN ÖNCE LÜTFEN İŞBU ANLAŞMANIN KOŞULLARINI DİKKATLE OKUYUN. PIONEER ÜRÜNLERİNDE KURULU YAZILIMI KULLANARAK, İŞBU ANLAŞMANIN HÜKÜMLERİNİN BAĞLAYICILIĞINI KABUL EDERSİNİZ. YAZILIM, ÜÇÜNCÜ KİŞİ TEDARİKÇİ(LER) ("TEDARİKÇİLER") TARAFINDAN LİSANSLANAN BİR VERİTABANINI İÇERİR VE SÖZ KONUSU VERİTABANINA İLİŞKİN KULLANIMINIZ, İŞBU ANLAŞMAYA EKLI AYRI TEDARİKÇİ KOŞULLARININ KAPSAMINA GİRER (bkz: sayfa 14). İŞBU KOŞULLARIN TÜMÜNÜ KABUL ETMİYORSANIZ, LÜTFEN PIONEER ÜRÜNLERİNİ (YAZILIM VE BÜTÜN YAZILI MATERYALLER DAHİL OLMAK ÜZERE) ÜRÜNLERİN TESLİM ALINMASINDAN İTİBAREN BEŞ (5) GÜN İÇİNDE, ÜRÜNLERİ SATIN ALDIĞINIZ YETKİLİ PIONEER SATICISINA İADE EDİN.

1. LİSANS VERİLMESİ

Pioneer, size Pioneer ürünlerinde kurulu yazılımı ("Yazılım") ve ilgili dokümantasyonu sadece kendi kişisel kullanımınız için veya işinizle ilgili kurumsal kullanım amacıyla, sadece ilgili Pioneer ürünleri üzerinde kullanmak üzere devredilemez, inhisari olmayan bir lisans verir.

Yazılım çoğaltılamaz, tersine mühendislik uygulanamaz, çevrilemez, başka bir sisteme taşınmaz, tadil edilemez veya Yazılım'dan çalıřmalar türetilmez. Yazılım ödünç verilemez, kiralanamaz, ifřa edilemez, yayınlanamaz, satılamaz, devredilemez, "leasing" ile kullanırlılamaz, alt lisans verilemez, pazarlanamaz ya da başka řekilde devredilemez veya işbu anlaşmada açıkça izin verilmeyen bir řekilde kullanılamaz. Tersine mühendislik, demontaj, kaynak koda dönüřtürme veya başka herhangi bir yolla Yazılım'ın bütününün ya da bir kısmının kaynak kodu veya yapısı türetilmez veya üretme girişiminde bulunulamaz. Yazılım, bir servis ofisi işletmek amacıyla ya da diđer

řahıřlar veya kuruluřlara ait verilerin işlenmesini ilgilendiren başka herhangi bir amaçla kullanılamaz.

Yazılım üzerindeki bütün telif hakkı, ticari sır, patent ve diđer özel mülkiyet hakları, Pioneer ve lisansörü/lisansörlerine aittir. Yazılım, telif hakkına tabidir ve tadil edilse ya da başka ürünlerle birleřtirilse dahi çoğaltılamaz. Yazılım'ın içinde ya da üzerinde bulunan herhangi bir telif hakkı uyarısı veya mülkiyet işareti deđiřtirilemez ya da kaldırılamaz.

Diđer tarafın işbu Lisans Anlaşması'nın kořullarını okuyup kabul etmesi kaydıyla, Yazılım üzerindeki bütün lisans hakları, ilgili dokümantasyon ve işbu Lisans Anlaşması'nın bir nüshası başka bir kiřiye devredilebilir.

2. GARANTİNİN REDDİ

Yazılım ve ilgili dokümantasyon size "OLDUĐU GİBİ" temin edilir. PIONEER VE LİSANSÖRÜ/LİSANSÖRLERİ (2. ve 3. hükümler kapsamında, Pioneer ve lisansörü/lisansörleri müştereken "Pioneer" olarak anılır) SİZİN İÇİN SARİH VEYA ZİMNİ HERHANGİ BİR GARANTİ SAĐLAMAZ VE TİCARİ DEĐERLE İLGİLİ YA DA HERHANGİ BİR ÖZEL AMAÇA UYGUNLUKLA İLGİLİ TÜM GARANTİLER SARAHATEN REDDEDİLİR. BAZI ÜLKELERDE ZİMNİ GARANTİLERİN REDDİNE İZİN VERİLMEZ; DOLAYISIYLA, YUKARIDAKİ RET SİZİN İÇİN GEÇERLİ OLMAYABİLİR. Yazılım karmaşıktır ve bazı uyumsuzluklar, kusurlar ya da hatalar içerebilir. Pioneer, Yazılım'ın gereksinimlerinizi veya beklentilerinizi karşılayacağını, Yazılım'ın hatasız ya da kesintisiz işleyeceğini veya bütün uyumsuzlukların düzeltileceğini ya da düzeltilileceğini garanti etmez. Ayrıca, Pioneer, Yazılım'ın kullanımıyla veya kullanımın sonuçlarıyla ilgili olarak dođruluk, güvenilirlik açısından ya da başka bir açıdan herhangi bir beyan veya garanti sunmaz.

3. SORUMLULUĐUN SINIRI

PIONEER, YAZILIM'IN KULLANIMINDAN VEYA KULLANILAMAMASINDAN KAYNAKLANAN, TARAFINIZA AİT HASARLAR, TAZMİNAT TALEPLERİ YA DA ZARARLAR (TAZMİN AMAÇLI, ARIZİ, DOLAYLI, ÖZEL, BAĐLI HASARLAR VEYA CEZAI TAZMİNATLAR, KAR KAYIPLARI, SATIŞ YA DA İŞ KAYIPLARI, MASRAFLAR, YATIRIMLAR VEYA HERHANGİ BİR İŞLE

BAĞLANTILI TAAHHÜTLER, HERHANGİ BİR ŞEREFİYE KAYBI YA DA HASAR DAHİL OLMAK, ANCAK BUNLARLA SINIRLI OLMAMAK ÜZERE) İLE İLGİLİ OLARAK, SÖZ KONUSU HASARLARIN GERÇEKLEŞME OLASILIĞI PIONEER'E BİLDİRİLMİŞ OLSA, PIONEER'İN BİLGİSİ DAHİLİNDE OLSA VEYA OLMASI GEREKSE DAHİ, HIÇBİR ŞEKİLDE SORUMLU TUTULAMAZ. BU SINIRLAMA, TOPLU SÖZLEŞME İHLALİ, GARANTİ İHLALİ, İHMAL, KESİN SORUMLULUK, YANLIŞ BEYAN VE DİĞER HAKSIZ FİİLLERİN DAHİL OLDUĞU, ANCAK BUNLARLA SINIRLI OLMAYAN HALLERDE BÜTÜN FİİL SEBEPLERİ İÇİN GEÇERLİDİR. PIONEER'İN İŞBU ANLAŞMA'DA YER VERİLEN GARANTİ REDDİ VEYA SORUMLULUK SINIRININ HERHANGİ BİR NEDENLE UYGULANAMAMASI VEYA GEÇERSİZ SAYILMASI HALİNDE, PIONEER'İN SORUMLULUĞUNUN EKTEKİ PIONEER ÜRÜNÜ KARŞILIĞINDA TARAFINIZCA ÖDENEN BEDELİN YÜZDE ELLİSİNİ (50%) GEÇEMEYECEĞİNİ KABUL EDERSİNİZ.

Bazı ülkelerde arızı veya bağlı hasarların reddine ya da sınırlandırılmasına izin verilmez; dolayısıyla, yukarıdaki sınırlama veya ret sizin için geçerli olmayabilir. Bu garanti reddi ve sorumluluğun sınırlandırılması, işbu garantideki bir hükmün bir ülkede veya yerel mevzuatta ölenemez şekilde yasaklanmasına bağlı olarak uygulanmayacaktır.

4. İHRAÇ YASASI GÜVENCELERİ

Yazılım'ın veya Pioneer'den teslim alınan başka herhangi bir teknik verinin ya da doğrudan Pioneer ürününün, tabi olduğunuz hükümetin ("Hükümet") idaresi altında bulunan ülke veya bölgenin ("Ülke") dışına, Hükümet'in kanun ve yönetmelikleri ile yetki ve izin verilen haller haricinde ihraç edilmeyeceğini kabul eder ve onaylarsınız. Yazılım tarafınızca Ülke dışından haklı olarak temin edilmişse, Yazılım'ı veya Pioneer'den teslim alınan başka herhangi bir teknik veriyi ya da doğrudan Pioneer ürününü, Hükümet'in kanun ve yönetmelikleri ve Yazılım'ı temin ettiğiniz idarenin kanun ve yönetmelikleri ile yetki ve izin verilen haller haricinde yeniden ihraç etmeyeceğinizi kabul edersiniz.

5. FESİH

İşbu Anlaşma, feshine kadar yürürlükte kalır. Anlaşma'yı istediğiniz zaman Yazılım'ı imha ederek sonlandırabilirsiniz. İşbu Anlaşma'nın herhangi bir koşuluna uymamanız halinde de Anlaşma fesh edilecektir. Söz konusu fesih üzerine, Yazılım'ı imha etmeyi kabul edersiniz.

6. DİĞER HÜKÜMLER

Bu, bahis konusu ile ilgili olarak Pioneer ile sizin aranızdaki tüm Anlaşma'dır. Pioneer tarafından yazılı olarak kabul edilmedikçe, işbu Anlaşma'da yapılan hiçbir değişiklik yürürlüğe giremez. İşbu Anlaşma'nın herhangi bir hükmünün geçersiz olduğunun veya yürürlükten kaldırıldığına ilan edilmesi halinde, Anlaşma'nın diğer hükümleri bütünüyle yürürlükte kalacaktır.

TELE ATLAS VERİLERİNE İLİŞKİN KOŞULLAR

Son kullanıcı lisanslama koşulları

İŞBU BELGE, SON KULLANICI OLARAK SİZİNLE PIONEER ve Veri ürünü lisansörlerinin (kimi zaman müştereken "Lisansörler" olarak anılır) ARASINDA HUKUKİ BİR ANLAŞMADIR. LİSANSLI VERİ KOPYANIZI KULLANARAK, İŞBU ANLAŞMA'NIN KOŞULLARINI KABUL EDERSİNİZ.

1. Lisans Verilmesi.

Lisansörler tarafından size, Tele Atlas'a ait olan, ilgili diskler üzerinde kayıtlı harita verilerini ve ticari anlamda ilgi çekici noktalara ("POI'ler") ilişkin bilgileri (birlikte "Veriler") sadece kişisel amaçlarla, ticari amaçlar dışında kullanmanız için ve bir servis ofisi işletmek amacıyla kullanmamak veya diğer şahıslar veya kuruluşlara ait verilerin işlenmesini ilgilendiren başka herhangi bir amaçla kullanmamak üzere, devredilemez, inhisari olmayan bir lisans verilir. Arşiv veya yedekleme amacıyla Veriler'in yalnızca bir (1) kopyasını alabilirsiniz; ancak, Veriler'i başka şekilde kopyalayamaz, çoğaltamaz, tadi edemez, türev çalışmalar yapamaz, Veriler'in yapısını türetemez veya Veriler'e tersine mühendislik uygulayamazsınız. Veriler, PIONER Ürünü/Ürünleri ile kullanılmak üzere kısıtlıdır. Veriler, gizli ve hakları saklı olan bilgiler ve materyaller içerir ve ticari sırlar içerebilir; dolayısıyla, Veriler'i gizli ve güvende tutmayı ve Veriler'in üçüncü kişilere kiralanması, "leasing"i, yayınlanması, alt lisansla verilmesi veya devredilmesi dahil olmak üzere, Veriler'i ya da bir kısmını herhangi bir biçimde ifşa etmemeyi kabul edersiniz. Veriler'in içerdiği dijital haritaların ve programların indirilmesi veya bunların başka bir veri taşıyıcıya ya da bilgisayara aktarılması sarahaten yasaklanmıştır. Herhangi bir telif hakkı, ticari marka uyarısı veya kısıtlayıcı işaretin kaldırılması ya da gizlenmesi yasaktır.

2. Mülkiyet.

Veriler'in telif hakkı Tele Atlas ve Lisansörler'ine aittir ve bu taraflar, Veriler üzerindeki bütün mülkiyet haklarını saklı tutarlar. Veriler'in içinde veya üzerinde

bulunan herhangi bir telif hakkı uyarısı ya da mülkiyet işareti değiştirilemez, kaldırılmaz, tahrif edilemez veya gizlenemez. Mevcut telif hakları aşağıda Bölüm 12'de anılmaktadır.

3. Sorumluluğun Sınırı.

TELE ATLAS VEYA TEDARİKÇİLERİ; KAR KAYIPLARI VEYA TEMİNAT BEDELLERİ, KULLANIM KAYBI VEYA İŞİN KESİNTİYE UĞRAMASI VEYA BENZERİ DAHİL OLMAK ÜZERE, İŞBU ANLAŞMADAN KAYNAKLANAN HERHANGİ ARIZI, BAĞLI, ÖZEL, DOLAYLI VEYA CEZAI TAZMİNATLA İLGİLİ OLARAK, İLGİLİ TARAF SÖZ KONUSU ZARARLARIN GERÇEKLEŞME OLASILIĞININ BİLDİRİLMİŞ OLMASI OLASILIĞINA BAKILMAKSIZIN, AŞAĞIDA İMZASI BULUNAN KİŞİLERE KARŞI YÜKÜMLÜLÜK TAŞIMAZ.

İŞBU ANLAŞMADA YER ALAN AKSİ YÖNDEKİ HİÇBİR HUSUSA BAĞLI OLMAKSIZIN, TELE ATLAS İŞBU ANLAŞMA KAPSAMINA GİREN VEYA ANLAŞMA İLE İLGİLİ OLAN HERHANGİ BİR NEDENLE (İŞLEMİN ŞEKLİNE BAKILMAKSIZIN) AŞAĞIDA İMZASI BULUNAN KİŞİYE KARŞI HİÇBİR MALİ YÜKÜMLÜLÜK TAŞIMAZ.

4. Garantinin Reddi.

VERİLER "OLDUĞU GİBİ" VE "BÜTÜN KUSURLARIYLA" ESASINDA TEMİN EDİLİR VE PIONEER, LİSANSÖRLERİ VE LİSANSLI DAĞITICILARI İLE TEDARİKÇİLERİ (MÜŞTEREKEN "TEDARİKÇİLER"), İHLALİN OLMAMASI, TİCARİ DEĞER, ETKİNLİK, EKSİKSİZLİK, DOĞRULUK, TASARRUF HAKKI VE BELİRLİ BİR AMACA UYGUNLUKLA İLGİLİ ZİMNİ GARANTİLER DAHİL OLMAK, ANCAK BUNLARLA SINIRLI OLMAMAK ÜZERE SARİH VEYA ZİMNİ DİĞER BÜTÜN GARANTİLERİ SARAHATEN REDDEDER. PIONEER, LİSANSÖRLERİ VE TEDARİKÇİLERİ, VERİLERİN SİZİN GEREKSİNİMLERİNİZİ KARŞILAYACAĞINI VEYA VERİLERİN KESİNTİSİZ YA DA HATASIZ İŞLEYECEĞİNİ GARANTİ ETMEZ. PIONEER, LİSANSÖRLERİ, TEDARİKÇİLERİ VEYA BUNLARIN İLGİLİ ÇALIŞANLARINDAN HERHANGİ BİRİ TARAFINDAN VERİLEN ŞİFAHİ YA DA YAZILI HERHANGİ BİR TAVSİYE, GARANTİ TEŞKİL ETMEZ VEYA HERHANGİ BİR ŞEKİLDE PIONEER'İN, LİSANSÖRLERİNİN YA DA TEDARİKÇİLERİNİN

SORUMLULUĞUNU ARTIRMAZ; BU TÜR BİLGİLERİ VEYA TAVSİYELERİ ESAS ALAMAZSINIZ. BU RET, İŞBU ANLAŞMA'NIN ELZEM BİR KOŞULUDUR VE VERİLERİ BU ESASTA KABUL EDERSİNİZ.

5. Fesih.

İşbu Anlaşma, koşullarının herhangi birini ihlal etmeniz halinde, tebligatta bulunmaya gerek kalmaksızın derhal ve kendiliğinden sona erer. Anlaşma'nın feshi halinde Veriler'i (bütün dokümantasyon ve bütün kopyalar dahil olmak üzere) PIONEER'e ve tedarikçilerine iade etmeyi kabul edersiniz.

6. Tazminat.

PIONEER, Lisansörleri ve tedarikçilerini (bunların ilgili lisansörleri, tedarikçileri, devralanları, iştirakleri, bağlı şirketleri ve ilgili memurları, yöneticileri, çalışanları, hissedarları, aracıları ve temsilcileri dahil olmak üzere) vekil ücretleri dahil olmak, ancak bunlarla sınırlı olmamak üzere, Veriler'e ilişkin kullanımınız veya mülkiyetinizden kaynaklanan ya da bunlarla bağlantılı her tür yükümlülük, zarar, yaralanma (ölümle sonuçlanan yaralanmalar dahil), talep, işlem, gider, masraf veya her tür tazminat talebine karşı tazmin, temin ve telafi etmeyi kabul edersiniz.

7. Sadece Büyük Britanya Verileri ve Kuzey İrlanda verileri ile ilgili Ek Hükümler.

- 1 Ordnance Survey'e ait herhangi bir telif hakkı, ticari marka veya kısıtlayıcı işaretin Son Kullanıcı tarafından kaldırılması ya da gizlenmesi yasaktır.
- 2 İhlal Olmaması, ticari değer, eksiksizlik, doğruluk ve belirli bir amaca uygunluk ile ilgili zımnı garantiler dahil olmak ancak bunlarla sınırlı olmamak üzere sarih veya zımnı tüm Ordnance Survey garantileri reddedilir. Son Kullanıcı, Ordnance Survey'in Tele Atlas® MultiNet® Birleşik Krallık verilerinin eksiksiz, doğru ve/veya güncel olduğu yönünde hiçbir garanti vermediğini veya beyanda bulunmadığını kabul eder; Son Kullanıcı'nın Tele Atlas® MultiNet® Birleşik Krallık verilerini bu temelde kabul etmesi Kullanım Koşulları'nın zaruri bir koşuludur. Veriler, Ordnance Survey dahil olmak üzere lisansör verilerini içerebilir.

- 3 Tele Atlas® MultiNet® Birleşik Krallık verileri ile ilgili olarak tüm Ordnance Survey yükümlülükleri reddedilir.
- 4 Tele Atlas® MultiNet® Birleşik Krallık verilerinin, Ordnance Survey'in önceden izni alınmaksızın Katma Değerli Ürün'un ücretsiz dağıtımı veya genel satışıyla sonuçlanan herhangi bir basım ya da yayın biçiminde kullanılması yasaktır.
- 5 Ordnance Survey, tazminat talebinin, istem veya işlemin niteliğine bakılmaksızın, Tele Atlas® MultiNet® Birleşik Krallık verilerinin kullanımından kaynaklandığı iddia edilen zarar, masraf, gider, hasar veya yaralanma (ölümle sonuçlanan yaralanmalar dahil) ile ilgili tüm tazminat taleplerine, istemlere veya işlemlere karşı tazmin edilir.
- 6 Son Kullanıcı, talep üzerine Ordnance Survey'e ürettiği Lisanslı Tele Atlas Ürünlerini kapsayan ve/veya bunlardan türetilen ürünlere ve/veya hizmetlere ilişkin bilgi verme zorunluluğunu kabul eder.
- 7 Son Kullanıcı, yukarıda belirtilen akdi koşulların ihlalinin tespiti halinde Ordnance Survey'e karşı sorumlu sayılır. Son Kullanıcı, talep üzerine Ordnance Survey'e ürettiği Lisanslı Ürünleri kapsayan ve/veya bunlardan türetilen ürünlere ve/veya hizmetlere ilişkin bilgi verme zorunluluğunu kabul eder.

Denetimler hakkında

İşbu Sözleşme'de tanımlanan şekliyle Tele Atlas'ın hakları, Ordnance Survey'in denetmenleri ve/veya Birleşik Krallık verilerinin sunulması halinde Ulusal Denetim Ofisi için de geçerlidir. Tüm borç tutarı, bu tutarın esas vade tarihinden ödeme tarihine kadar, dönem dönem National Westminster Bank plc'nin taban kuru üzerinden yüzde iki (2%)'lik faize tabidir.

Ordnance Survey ve/veya Ulusal Denetim Ofisi, Son Kullanıcı'nın defterlerini veya hesaplarını doğrudan, Lisansiyenin İşbu Anlaşma kapsamında zorunlu tutulduğu koşullarla tamamen aynı koşullarda denetleme hakkına sahiptir; buna göre, Ordnance Survey, Lisanslı Tele Atlas Ürünleri'ni içeren veya bu Ürünler'den türetilen ürünlerin ve/veya hizmetlerin sağlayıcıları ile ilgili olarak da bu denetim hakkına sahiptir.

Lisansiyeye ihlal tespit edilmesi halinde ihlali gerçekleştiren ilgili Son Kullanıcı ve Lisansiyenin Ordnance Survey'e karşı müştereken ve müteselsilen sorumlu olacağını işbu Anlaşma ile kabul eder.

8. Sadece Norveç Verileri ile ilgili Ek Hükümler.

Son Kullanıcı'nın Tele Atlas® MultiNet® Norveç verilerini Norveç Haritalama İdaresi'nin temel ulusal ürünlerine benzer, genel ticari amaçlı basılı veya dijital haritalar oluşturmak üzere kullanması yasaktır.

9. Tele Atlas® Üst Düzey İlgili Çekici Noktalara ("POI") ilişkin ek hükümler. POI Lisanslı Tele Atlas Ürünleri ile ilgili olarak:

(Aşağıdaki hükümler sadece Tele Atlas® Üst Düzey İlgili Çekici Noktalara ("POI") içeren ürünlere atıfta bulunur.)

Son Kullanıcı aşağıdakileri özellikle kabul eder:

(a) İşbu Sözleşme'de aksi özellikle belirtilmedikçe, POI Lisanslı Tele Atlas Ürünlerini yeniden satış, alt lisanslama, yeniden dağıtım amacıyla veya satılmış, kiralanmış, yayınlanmış, sunulmuş veya herhangi bir şekilde bir üçüncü şahsa temin edilmiş herhangi bir posta listesi, coğrafi veya ticari dizin, iş dizini, sınıflandırılmış dizin, sınıflandırılmış reklamlar derleme, geliştirme, doğrulama, tamamlama, bunlara ekleme yapma veya bunlardan öge çıkarma amacıyla herhangi bir üçüncü şahsa lisanslamayacak veya başka şekilde vermeyecektir;

(b) POI Lisanslı Tele Atlas Ürünlerine izinsiz erişimi engellemek için gereğince güveneyce alınmadıkça ve/veya şifrelenmedikçe, POI Lisanslı Tele Atlas Ürünlerini bir çevrimiçi ortamda kullanılmayacaktır;

(c) POI Lisanslı Tele Atlas Ürünlerini kısmen veya tamamen, (i) bir kişinin kredi veya sigorta açısından uygunluğunu sağlamada; (ii) bireysel sigortalama ile bağlantılı olarak; (iii) bir kişinin işe giriş veya çıkarma amacıyla, yeniden görevlendirilme veya göreve iade değerlendirmesinde; (iv) bir kişinin bir devlet makamı tarafından verilen bir lisans veya başka fayda açısından uygunluğunun belirlenmesi ile bağlantılı olarak veya (v) hayatını kaybedenlerin geride kalanlarına teklif götürme amacıyla bir etken olarak kullanılmayacaktır.

(d) İşbu Sözleşme'de izin verilmedikçe, posta veya tele-pazarlama listeleri oluşturmayacaktır.

(e) Son Kullanıcı, POI Lisanslı Tele Atlas Ürünlerini internette güvenlik duvarları ile muhafaza edecektir ve (i) POI Lisanslı Tele Atlas Ürünlerinin bütünlüğünü koruyan; (ii) POI Lisanslı Tele Atlas Ürünlerine erişimi denetleyen ve (iii) POI Lisanslı Tele Atlas Ürünlerinin izinsiz kullanımını veya kopyalanmasını engelleyen bir denetim sistemi uygulayacaktır.

10. Tele Atlas® Marka Simgesi Lisanslı Tele Atlas Ürünü ("Marka Simgesi Lisanslı Tele Atlas Ürünü") için ek hükümler:

(Aşağıdaki hükümler sadece Tele Atlas® Marka Simgesi Lisanslı Tele Atlas Ürünü'nü içeren ürünlere atıfta bulunur.)

a Son Kullanıcı'nın Marka Simgesi Lisanslı Tele Atlas Ürünü veya bunun bir kısmı üzerindeki kullanımı, sadece, Tele Atlas tarafından sunulan veya hazırlanan uzamsal vektör verilerini değerini ve/veya kullanımını geliştirmekle kısıtlıdır. İşbu Anlaşma'da veya Anlaşma'ya ait herhangi bir ek veya belgede yer alan aksi yöndeki hiçbir hususa bağlı olmaksızın, Son Kullanıcı, Marka Simgesi Lisanslı Tele Atlas Ürünü'nü veya bunun herhangi bir bölümünü Tele Atlas dışında başka bir tarafın sunduğu veya hazırladığı uzamsal cadde vektörü verileri ile bağlantılı olarak veya birlikte hiçbir koşulda kullanamaz. Son Kullanıcı simgeleri, marka adlarını, logoları, ticari markaları veya diğer özellikleri sadece harita verileri dahilinde (veya bunlardan ayrı olmamak üzere) kullanabilir. Buna ek olarak, Son Kullanıcı, Son Kullanıcı'ya temin edildiği şekliyle Marka Simgesi Lisanslı Tele Atlas Ürünü'nün rengini, şeklini, boyutunu ve yönünü Tele Atlas'ın önceden yazılı onayı olmaksızın değiştiremez.

b Lisansiyeye, Marka Simgesi Lisanslı Tele Atlas Ürünü'nün kullanımının işbu Anlaşma'da öngörülen koşullara tabi olduğunu ve Marka Simgesi Lisanslı Tele Atlas Ürünü kullanımının tabi olacağı, Katma Değerli Ürün için geçerli sürüm notlarında Lisansiyeye tarafından dönem dönem Son Kullanıcı'ya temin edilen

üçüncü kişi koşulları ve kısıtlamaları olabileceğini kabul eder.

- c) Son Kullanıcı'nın Marka Simgesi Lisanslı Tele Atlas Ürünü ile tedarik edilen herhangi bir marka simgesinin sahibi (veya bunların temsilcileri) ile reklam, arama motoru reklamcılığı, tanıtım veya benzeri ücretli marka pazarlama duyurusu için bir ticari anlaşma yapması halinde, Tele Atlas, önceden taraflarca yazılı olarak başka şekilde kararlaştırılmadığı sürece, söz konusu ticari anlaşma bağlamında tahsil edilen gelirlerin en az yüzde yirmi beşini (25%) alır.

11. Tele Atlas® 3B Yön Bulma İşaretleri Lisanslı Tele Atlas Ürünü ("3B Yön Bulma İşaretleri") ile ilgili ek hükümler:

(Aşağıdaki hükümler sadece Tele Atlas® 3B Yön Bulma İşaretleri Lisanslı Tele Atlas Ürünü'nü içeren ürünlere atıfta bulunur.)

Lisansiyeye, ilgili yön bulma işaretlerinin her Katma Değerli Ürün üzerinde ve Katma Değerli Ürün'ün "kutu hakkında" kısmında gösterilmesi ile ilgili tüm telif hakkı uyarılarını, Lisansiyeye'nin 3B Yön Bulma İşaretlerini teslim almasının ardından Katma Değerli Ürün'ünü ilk yeni sürümünden geç olmamak üzere mümkün olan en kısa zamanda eklemeyi kabul eder. Yukarıdaki hükme bağlı olmaksızın, Tele Atlas, Lisanslı Tele Atlas Ürünlerinin müteakip sürümlerinde belirli 3B Yön Bulma İşaretleri'ni kaldırmaya tamamen kendi tasarrufunda karar verme hakkına sahiptir. Bu durumda, Lisansiyeye söz konusu 3B Yön Bulma İşaretlerini Katma Değerli Ürün'den, Lisanslı Tele Atlas Ürünü Güncellemesi'nin Lisansiyeye ulaşmasının ardından Katma Değerli Ürün'ün ilk yeni sürümünden geç olmamak şartıyla mümkün olan en kısa sürede kaldıracaktır. Tele Atlas 3B Yön Bulma İşaretlerinin Lisanslı Tele Atlas Ürünü'nden Tele Atlas tarafından kaldırılması veya bir 3B Yön Bulma İşareti'nin Lisansiyeye tarafından Katma Değerli Ürün'den kaldırılmamasından kaynaklanan olası hiçbir zarar, masraf veya giderden sorumlu tutulamaz.

12. Telif Hakkı Uyarıları.

Lisansiyeye, Lisanslı Tele Atlas Ürünleri için geçerli ilgili her telif hakkı uyarısını, aşağıdakileri temel alan her Katma Değerli Ürün için ilk açılış ekranında, koda,

depolama ortamında, ambalajda, "Yardım/ Hakkında" bölümünde, işletim kılavuzunda ve görüntülenen veya yazdırılan her harita görüntüsünde belirgin şekilde gösterecektir:

- 1 Tele Atlas® MultiNet® Avrupa Yürürlük Tarihi itibarıyla, telif hakkı uyarısı: "Veri Kaynağı © 2009 Tele Atlas B.V."; ek olarak, "temel":
 - a Tele Atlas® MultiNet® Avusturya verileri. Yürürlük Tarihi itibarıyla, telif hakkı uyarısı: "© BEV, GZ 1368/2003."
 - b Tele Atlas® MultiNet® Danimarka verileri. Yürürlük Tarihi itibarıyla, telif hakkı uyarısı: "© DAV, işbu telif haklarının ihlali halinde hukuki işlem başlatılır."
 - c Tele Atlas® MultiNet® Fransa verileri. Yürürlük Tarihi itibarıyla, telif hakkı uyarısı: "© IGN Fransa.", "Michelin verileri © Michelin 2009"
 - d Tele Atlas® MultiNet® Birleşik Krallık verileri (Kuzey İrlanda hariç). Yürürlük Tarihi itibarıyla, aşağıdakiler geçerlidir: Bu ürün, Kraliyet Yayın Dairesi Denetçisinin izniyle Ordnance Survey'den lisanslanan haritalama verilerini içerir. © Kraliyet telif hakkı ve/veya veritabanı hakkı 2009. Tüm hakları saklıdır. Lisans numarası 100026920
 - e Tele Atlas® MultiNet® Kuzey İrlanda verileri. Yürürlük Tarihi itibarıyla, telif hakkı uyarısı: "Kuzey İrlanda Ordnance Survey."
 - f Tele Atlas® MultiNet® Norveç verileri. Yürürlük Tarihi itibarıyla, telif hakkı uyarısı: "© Norveç Haritalama İdaresi, Devlet Karayolları İdaresi / © Mapsolutions."
 - g Tele Atlas® MultiNet® Rusya verileri. Yürürlük Tarihi itibarıyla, telif hakkı uyarısı: "© Roskartographia"
 - h Tele Atlas® MultiNet® İsviçre verileri. Yürürlük Tarihi itibarıyla, telif hakkı uyarısı: "© Swisstopo."
 - i Tele Atlas® MultiNet® Hollanda verileri. Yürürlük Tarihi itibarıyla, telif hakkı uyarısı: "Topografische ondergrond Telif hakkı © dienst voor het kadaster en de openbare registers, Apeldoorn 2006."

13. Diğer Hükümler.

Bu, bahis konusu ile ilgili olarak Lisansörler ile sizin aranızdaki tek ve tüm Anlaşma'dır. İşbu Anlaşma'daki hiçbir unsur Lisansörler ile sizin aranızda bir ortak girişim, ortaklık veya ana şirket-aracı ilişkisi kurmaz. Bölüm 2, 5 ve 7 - 12, işbu Anlaşma'nın süresinin dolması veya feshi halinde geçerli olmaya devam eder. Bu Anlaşma'da sadece PIONEER değişiklik veya tadilat yapılabilir. PIONEER'in önceden yazılı onayı alınmadan işbu Anlaşma'nın herhangi bir kısmı devredilemez. Veriler'in ihracata ilişkin kısıtlamalara tabi olduğunu anlar ve onaylarsınız ve geçerli ihracat mevzuatına uymayı kabul edersiniz. İşbu Anlaşma'nın herhangi bir hükmünün veya bir hükmünün herhangi bir kısmının geçersiz ya da gayri meşru olduğunun veya yürürlüğünün mümkün olmadığını tespit edilmesi halinde, söz konusu hüküm ya da ilgili kısmı işbu Anlaşma kapsamı dışında bırakılır ve Anlaşma'nın diğer kısımları mümkün olduğunca geçerli, meşru ve yürürlükte sayılır. İşbu Anlaşma kapsamında yapılacak tüm tebligat, kurye ile PIONEER, Hukuk Departmanı dikkatine teslim edilir.

Harita veritabanına ilişkin veriler hakkında

- Geliştirme süreci öncesindeki/esnasındaki yollar, caddeler/karayolları, araziler, inşaat ve diğerleri ile ilgili değişiklikler, bu veritabanında yansıtılmayabilir. Maalesef, söz konusu süreç sonrası bu değişiklikler bu veritabanında yansıtılmaz.
- Mevcut ve yeni yapılanlar dikkate alınmaksızın, veriler fiili durumdan farklı olabilir.
- Bu navigasyon sisteminin harita kapsamı hakkında daha ayrıntılı bilgi almak için, web sitemizdeki bilgileri okuyun.
- Telif hakkı sahibinin izni olmadan bu haritanın kısmen ya da tamamen kullanılması ya da çoğaltılması kesinlikle yasaktır.
- Yerel trafik düzenlemeleri ya da koşulları bu verilerden farklı ise, yerel trafik düzenlemelerine (işaretler, göstergeler gibi) ve koşullarına (inşaat, hava vb. gibi) riayet edin.
- Bu harita veritabanında kullanılan trafik düzenlemesi, sadece standart boyuttaki yolcu araçları için geçerlidir. Daha büyük araçlar, motosikletler ve diğer standart olmayan araçlar ile ilgili düzenlemeler, bu veritabanında yer almaz.
- Harita Sürümü, Tele Atlas. Sür. 06/2009.

UYARI

- Navigasyon sisteminizi kendi başınıza monte etmeye ya da servisini yapmaya kalkışmayın. Navigasyon sisteminizin elektronik malzeme ve otomotiv aksesuarları konuları hakkında eğitimi ve deneyimi olmayan kişiler tarafından kurulumu veya servisinin yapılması tehlikeli olabilir ve elektrik çarpmasına veya diğer tehlikelere yol açabilir.
- Navigasyon sisteminin içine sıvı ya da yabancı bir cisim girmesi halinde, aracınızı güvenli bir yere park edin, kontak anahtarını derhal kapatın ("ACC OFF" konumuna alın) ve bayiinize ya da en yakın yetkili Pioneer Servisi'ne başvurun. Navigasyon sisteminin bu durumdayken kullanmayın, aksi takdirde yangın çıkabilir, elektrik çarparabilir ya da daha başka arızalar oluşabilir.
- Navigasyon sisteminden duman çıktığını, garip bir ses ya da koku geldiğini veya LCD ekranda diğer anormal şeylerin oluştuğunu fark ederseniz, derhal aygıtı kapatın ve bayiinize ya da en yakın yetkili Pioneer Servisi'ne başvurun. Navigasyon sisteminin bu halde kullanılması sistemde kalıcı hasara neden olabilir.
- İçinde elektrik çarpmasına neden olabilecek yüksek gerilimli parçalar bulunduğu için, bu navigasyon sisteminin parçalarını ayırıp değiştirmeye kalkmayın. Muayene, ayar ya da onarım işlemleri için mutlaka bayiinize veya en yakın yetkili Pioneer Servisi'ne başvurun.
- Bu ürünün sıvılarla temas etmesine izin vermeyin. Elektrik çarparabilir. Sıvılarla temas ederse, ürün zarar görebilir, içinden duman çıkabilir ya da aşırı ısınabilir.

DİKKAT

- Rota hesaplandığında, rota ve rota ile ilgili sesli yönlendirme işlevi otomatik olarak ayarlanır. Ayrıca, gün veya saat bazında trafik düzenlemeleri için, sadece rota hesaplandığı zaman geçerli olan trafik düzenlemelerine dair bilgiler dikkate alınır. Tek yönlü caddeler ve kapalı caddeler hesaba katılmayabilir. Örneğin, bir cadde sadece sabahları açıksa ve siz daha sonra varmışsanız, bu durum trafik düzenlemelerinin tersine bir durumdur ve

bu nedenle ayarlanan rota boyunca sürüş yapamazsınız. Araç sürerken lütfen geçerli trafik işaretlerine riayet edin. Ayrıca, sistemin bazı trafik düzenlemelerinden haberi olmayabilir.

- Navigasyon sisteminin aygıtı aşağıda ifade edilen yüksek sıcaklıklara veya neme maruz kalan yerlere monte etmeyin:
 - Isıtıcıya, havalandırmaya veya klimaya yakın yerler.
 - Ön konsolun üstü ya da arka tabla gibi direkt güneş ışığına maruz kalan yerler.
 - Kapıya yakın noktalar veya aracın tabanı gibi, yağmur suyuna maruz kalabilecek yerler.

Navigasyon sisteminizi kullanmadan önce, aşağıdaki güvenlik bilgilerini okuduğunuzdan ve tamamen anladığınızdan emin olun.

- Bu navigasyon sisteminin çalıştırmadan önce tüm kılavuzu okuyun.
- Navigasyon sisteminizin özellikleri, sadece aracınızı çalıştırdığınızda size yardımcı olması amacıyla tasarlanmıştır. Navigasyon sistemi, aracınızı sürerken dikkat ve yargılama yeteneklerinizin yerini alan bir unsur değildir.
- Aracınızı güvenle kullanmanızı açısından, herhangi bir şekilde dikkatinizi dağıtacak olursa, bu navigasyon sisteminin kullanmayın. Her zaman güvenli sürüş kurallarına ve varolan trafik düzenlemelerine uyun. Sistemin çalıştırılması ya da ekranın okunması açısından bir güçlükle karşılaşırsanız, gerekli ayarları yapmadan önce, aracınızı güvenli bir yere park edin ve el frenini çekin.
- İşletme talimatlarını okuyup anlamadan, diğer şahısların bu sistemi kullanmasına izin vermeyin.
- Aracınızı acil durumlarda hastanelere, karakollara ya da benzer kurumlara yönlendirmek üzere bu navigasyon sisteminin kesinlikle kullanmayın. Eller serbest telefon ile ilgili tüm işlevleri kullanmayı bırakın ve uygun acil durum numarasını arayın.
- Bu aygıt tarafından görüntülenen rota ve yönlendirme bilgileri sadece referans amaçlıdır. En son izin verilebilir durumda olan rotaları, yol durumlarını, tek yönlü

caddeleri, kapalı yolları ya da trafik sınırlamalarını doğru şekilde yansıtmayabilir.

- ❑ Geçerli olan trafik sınırlamaları ve tavsiyeleri her zaman navigasyon sistemi tarafından yapılan yönlendirmeden önce gelmelidir. Navigasyon sistemi aksi yönde bilgi verse bile, her zaman geçerli trafik sınırlamalarına riayet edin.
- ❑ Yerel saat için doğru bilgi ayarlanmaz ise, navigasyon sistemi hatalı rota belirleyebilir ve hatalı yönlendirme talimatları verebilir.
- ❑ Navigasyon sisteminin sesini kesinlikle dışarıdaki trafik ve acil durum araçlarının siren seslerini duyamayacak kadar açmayın.
- ❑ Güvenliği arttırmak amacıyla, araç durmadığı ve/veya park freni çekilmediği sürece, bazı işlevler devre dışı bırakılmaktadır.
- ❑ Entegre bellekte kodlanan veriler, sağlayıcının fikri mülkiyetidir ve bu tür içerikten sağlayıcı sorumludur.
- ❑ İşletim prosedürleri ve güvenlik bilgilerine bakmak için, bu kılavuzu el altında bulundurun.
- ❑ Bu kılavuzda yer alan tüm uyarıları dikkate alın ve talimatları dikkatle uygulayın.
- ❑ Navigasyon sistemini (i) sürücünün görüşünü engelleyecek, (ii) aracın çalışma sistemlerini veya hava yastıkları, tehlike ışığı düğmeleri dahil olmak üzere, emniyet özelliklerini zedeleyecek ya da (iii) sürücünün aracı güvenli bir biçimde kullanmasını engelleyecek bir yere monte etmeyin.
- ❑ Lütfen, aracınızı kullanırken emniyet kemerinizi her zaman takmayı unutmayın. Emniyet kemeriniz gereğince takılı değilken kaza yaparsanız, daha ciddi bir şekilde yaralanabilirsiniz.
- ❑ Araç içinde kullanırken sökülebilir aygıtı ana birime taktığınızdan emin olun. Bu sökülebilir aygıt ana birime sağlamca takılmadan kullanılırsa, ani bir durma halinde zarar görebilir.
- ❑ Araba kullanırken kulaklıkları kesinlikle takmayın.

Sökülebilir aygıtla ilgili olarak dikkat edilmesi gereken hususlar

⚠ DİKKAT

- Sökülebilir aygıtı aşağıda ifade edilen yüksek sıcaklıklara veya neme maruz kalabileceği yerlerde bırakmayın:
 - Isıtıcıya, havalandırmaya veya klimaya yakın yerler.
 - Ön konsolun üstü ya da arka tabla gibi direkt güneş ışığına maruz kalan yerler.
 - Kapıya yakın noktalar veya aracın tabanı gibi, yağmur suyuna maruz kalabilecek yerler.
- Sökülebilir aygıtın ya da ana birimin üzerindeki terminallere dokunmayın. Yaparsanız, bağlantı arızaları oluşabilir. Herhangi bir terminal kirlenirse, temiz ve kuru bir bezle silin.
- Sökülebilir aygıtı sökmeden önce, kontak anahtarını kapalı (ACC OFF) duruma getirin.
- Sökülebilir aygıtı takarken, kontak anahtarını açık (ACC ON) duruma getirmeden önce aygıtı ana birime takın.
- Sökülebilir aygıtı çıkardıktan sonra, çizilme veya hasardan korumak için güvenli bir yerde muhafaza edin. Aracınızı terkederken, sökülebilir aygıtı ana birimden çıkarın ve yanınıza alın.
- Aygıtı sökerken veya takarken asla zorlamayın.
- Sökülebilir aygıtı aşırı şoklara maruz bırakmayın.

Sökülebilir aygıtın pilinin şarj edilmesi

- ❑ Sıcaklık şarj sıcaklığı aralığının dışındayken şarj işlemi yapılamaz.
 - Pilin çalışma sıcaklığı aralığı 0 °C ila +55 °C'dir.
 - Pilin şarj sıcaklığı aralığı -20 °C ila +60 °C'dir.
- ❑ Sökülebilir aygıtın pili aşağıdaki durumlarda şarj edilir.
 - Sökülebilir aygıt ana birime takılı olduğunda ve kontak anahtarı açık (ACC ON) durumda olduğu halde bu navigasyon sistemi AV alıcıya bağlı iken.

Önemli güvenlik bilgileri

- Sökülebilir aygıt PC'nize bağlı iken.
- Pilin kullanım ömrü sınırlıdır. Şarj edilen bir pilin idare etme süresine bağlı olarak, pilin şarj edilme sıklığı da azalır. Pil şarj edildikten sonra, son derece kısa bir süre idare ediyorsa, kullanım ömrü dolmak üzere olabilir. Bayiinizle ya da en yakın Pioneer Yetkili Servisi ile temasa geçerek pili yenisiyle değiştirin.
- Pil tamamen boşaldığında veya sıcaklık, şarj sıcaklığı aralığının dışında iken, pil şarj olmaya başlayana kadar sistem önyükleme yapamaz. Bu durumda, sistem önyüklemesi birkaç dakika sürebilir.
- Bir süre geçmesine rağmen navigasyon sisteminin önyüklemesi gerçekleşmezse veya güç göstergesi yanmazsa, pilin değiştirilmesi gerekebilir. Lütfen en yakın yetkili Pioneer Servis Birimi ile görüşün.

Eko-sürüş işlevi

- Yakıt tüketimi hesaplamasında, araç hızı ve navigasyon sisteminden alınan konum bilgisi kullanılarak belirlenen kuramsal bir değer temel alınır. Görüntülenen yakıt tüketimi, sadece bir referans değerdir ve gösterilen tüketimin sağlanacağını garanti etmez.
- Eko-sürüş işlevleri, gerçek zamanlı yakıt tüketiminin ortalama yakıt tüketimine oranlandığı bir hesaplamadır ve gerçek bir değer değildir.
- Eko-sürüş işlevleri ve hesaplamalarında bir değer belirlenirken aracın GPS konumu ve hızı dikkate alınır.
- Bu birimin göstergeleri, gerçek değerlerden farklı olabilir.
- Bu aygıtın bazı özellikleri, monte edildiği aracın türünü dikkate almaz.

Yakıt maliyeti yönetimi

Bu hesaplamalarda araçtan gelen veriler değil, sadece sizin sağladığınız bilgiler temel alınır. Görüntülenen yakıt tüketimi, sadece bir referans değerdir ve gösterilen yakıt tüketiminin sağlanacağını garanti etmez.

Trafik bilgileri

- Pioneer, iletilen bilgilerin doğruluğu hususunda sorumluluk taşımaz.
- Pioneer, hizmetlerin iptali ya da ödeme servislerinin değiştirilmesi gibi yayın istasyonları ya da ilgili firmalar tarafından sağlanan bilgilendirme hizmetlerinde yapılan değişikliklerden sorumlu değildir. Ayrıca, böyle bir nedenle ürünün iadesini kabul etmeyiz.

Hız sınırı göstergesi

Hız sınırı, haritanın veritabanını esas alır. Veritabanındaki hız sınırı, mevcut yolun gerçek hız sınırı ile eşleşmeyebilir. Bu, kesin bir değer değildir. Aracı gerçek hız sınırına göre sürdürdüğünüzden emin olun.

El freni dahili kilitleme sistemi

Bu navigasyon sistemi, el freninin durumunu bağı AV alıcıdan alır.

Bu navigasyon sistemi tarafından sunulan birtakım işlevler (bazı dokunmalı ekran tuşu işlemleri gibi), sürüş anında kullanılması durumunda, tehlikeli ve/veya yasadışı olabilir. Araç hareket halindeyken bu tür işlevlerin kullanılmasını önlemek için, el freninin çekilip çekilmediğini ve aracın hareket halinde olup olmadığını algılayan bir dahili kilitleme sistemi mevcuttur. Sürüş anında yukarıda açıklanan işlevleri kullanmaya çalışırsanız, bu işlevler aracınızı güvenli bir yere park edip el frenini çekinceye dek devre dışı kalacaktır. Lütfen, el frenini serbest bırakmadan önce fren pedalını basılı tutun.

□ Navigasyon sisteminin sunduğu diğer işlevleri etkinleştirmek için, el frenini çekerken aracınızı güvenli bir yere park edin ve tümsek veya benzeri bir yere park edilmesi halinde el freni serbest bırakıldığında aracın hareket etmesini önlemek amacıyla el frenini serbest bırakmadan önce fren pedalını basılı tutun.

Akünün boşalmasını önleme

Bu ürünü kullanırken aracın motorunu çalıştırdığınızdan emin olun. Ürünü kullanırken aracın motorunu çalıştırmazsanız, akü boşalabilir.

⚠ UYARI

Bu ürünü ACC konumu özelliği olmayan araçlarla kullanmayın.

SD kart yuvasının kullanılması

SD bellek kartına ve SDHC bellek kartına, hep birlikte "SD bellek kartı" olarak atıfta bulunulur.

⚠ DİKKAT

• Kazara yutmaları için SD bellek kartını çocukların erişemeyecekleri bir yerde saklayın.

- Veri kaybını ve depolama aygıtının zarar görmesini engellemek için, veriler aktarılırken kartı navigasyon sisteminden kesinlikle çıkarmayın.
- Depolama aygıtında herhangi bir sebeple veri kaybı ya da bozulma meydana gelirse, veriler genellikle kurtarılamaz. Pioneer, veri kaybı veya bozulmasından kaynaklanan zarar/ziyan, maliyet ya da masraflardan sorumlu değildir.
- Sürüş sırasında SD bellek kartını takıp çıkarmayın.

USB bağlantı noktasının kullanılması (Mini-B)

□ Sökülebilir aygıt üzerindeki USB bağlantı noktası (Mini-B) sadece sökülebilir aygıtı PC'nize bağlamak için kullanılır. USB depolama aygıtı USB bağlantı noktasına bağlanırsa sistem bağlanan bu aygıtı tanıyamaz.

⚠ DİKKAT

- Veri kaybını ve SD bellek kartındaki verilerin zarar görmesini engellemek için, veriler aktarılırken kartı PC'nizden kesinlikle çıkarmayın.
- SD bellek kartındaki verilerde herhangi bir sebeple veri kaybı ya da bozulma meydana gelirse, veriler genellikle kurtarılamaz. Pioneer, veri kaybı veya bozulmasından kaynaklanan zarar/ziyan, maliyet ya da masraflardan sorumlu değildir.

Sorunla karşılaştığınızda yapılacaklar

Bu navigasyon sisteminin çalışmasında bir sorun çıkarsa, satıcınızla ya da en yakın yetkili Pioneer Servisi ile görüşün.

Web sitemizi ziyaret edin

Sitemizi aşağıdaki adresten ziyaret edebilirsiniz:

www.pioneer.eu

- Ürününüzü kaydedin. Kayıp ya da hırsızlık gibi bir durum söz konusu olduğunda sigorta konusunda yardımcı olabilmek için, satın aldığınız ürünle ilgili bilgiler bir dosyada muhafaza edilecektir.
- Web sitemizde Pioneer Corporation hakkında güncel bilgiler mevcuttur.

Bu ürün hakkında

Bu navigasyon sistemi, Avrupa haricindeki alanlarda doğru çalışmaz. RDS (Radyo Veri Sistemi) işlevi, sadece RDS sinyalleri yayınlayan FM istasyonlarının bulunduğu bölgelerde çalışır. RDS-TMC hizmeti, aynı zamanda RDS-TMC sinyali yayınlayan bir istasyonun bulunduğu alanda da kullanılabilir.

Ürünle birlikte verilen CD-ROM

Çalıştırma ortamı

Ürünle birlikte verilen CD-ROM, şunlarla kullanılabilir: Microsoft® Windows® 2000/XP ve Apple Mac OS X 10.4.

CD-ROM'daki kılavuzların okunması için, Adobe Reader (Sürüm 4.0 ya da daha yeni bir sürümü) gereklidir.

Kullanıma ilişkin önlemler

CD-ROM, kişisel bilgisayar ile kullanım içindir. Herhangi bir DVD/CD yürütücü ya da sürücü ile birlikte kullanılamaz. CD-ROM'u böyle bir aygıtla yürütmeye çalıştığınız takdirde, hoparlörler zarar görebilir veya yüksek ses dolayısıyla işitme kaybı yaşanabilir.

Lisans

Lütfen, bu CD-ROM'u kullanmadan önce, aşağıda belirtilen "Kullanma koşulları" konusuna riayet ediniz. Kullanma koşulları hakkında bir tereddütünüz var ise kullanmayın.

Kullanma koşulları

CD-ROM'da yer alan verilerin telif hakkı, Pioneer Corporation'a aittir. Telif Hakları Yasası uyarınca tanımlanan "kişisel kullanım" ya da "alınıtılama" kapsamı haricindeki izinsiz aktarım, çoğaltma, yayım, neşriyat, çeviri, satış, ödünç verme veya diğer hususlar yaptırıma tabiidir. CD-ROM'u kullanma izni, Pioneer Corporation lisansı ile birlikte verilir.

Genel sorumluluk reddi

Pioneer Corporation, CD-ROM'un geçerli işletim sistemi kullanan her kişisel bilgisayarda çalışacağı garantisini vermez. Ayrıca, Pioneer Corporation, CD-ROM'un kullanılması sonucunda meydana gelebilecek herhangi bir zarar/ziyandan sorumlu tutulamaz ve bunları telafi etmekle yükümlü değildir.

Not

- Ürünle birlikte verilen CD-ROM'u bir Mac işletim sisteminde çalıştırdığınızda, CD-ROM'u CD sürücüsüne yerleştirin ve uygulamayı başlatmak için, CD-ROM simgesini çift tıklayın.

Burada açıklanan özel şirketlerin, ürünlerin ve diğer kuruluşların adları, ilgili firmalarının tescilli ticari markaları ya da ticari markalarıdır.

⇒ Ayrıntılı bilgi için, işletim kılavuzu'na bakın.

PIONEER CORPORATION

1-1, Shin-Ogura Saiwai-ku, Kawasaki-shi
Kanagawa-ken 212-0031, JAPONYA

PIONEER ELECTRONICS (USA) INC.

P.O. Box 1540, Long Beach, California 90801-1540, U.S.A.
TEL: (800) 421-1404

PIONEER EUROPE NV

Haven 1087, Keetberglaan 1, B-9120 Melsele, Belgium
TEL: (0) 3/570.05.11

PIONEER ELECTRONICS ASIACENTRE PTE. LTD.

253 Alexandra Road, #04-01, Singapore 159936
TEL: 65-6472-7555

PIONEER ELECTRONICS AUSTRALIA PTY. LTD.

178-184 Boundary Road, Braeside, Victoria 3195, Australia
TEL: (03) 9586-6300

PIONEER ELECTRONICS OF CANADA, INC.

300 Allstate Parkway, Markham, Ontario L3R OP2, Canada
TEL: 1-877-283-5901

PIONEER ELECTRONICS DE MEXICO, S.A. de C.V.

Bldv. Manuel Avila Camacho 138 10 piso
Col. Lomas de Chapultepec, Mexico, D.F. 11000
TEL: 55-9178-4270

DIGICOM ELEKTRONİK PAZARLAMA A.Ş.

Dereboyu Cad. No: 11
Halkalı - İSTANBUL
Tel: (212) 470 06 00 Faks: (212) 471 75 85

www.pioneer.eu