

Pioneer

Tärkeää tietoa käyttäjälle

PIILOON ASENNETTAVA NAVIGOINTIJÄRJESTELMÄ

AVIC-F220

Älä unohda rekisteröidä tuotetta www.pioneer.fi (tai www.pioneer.eu)

Muista lukea sekä tämä vihkonen että käyttöopas, joka sisältyy navigointijärjestelmän mukana toimitetulle CD-ROM-levylle! Molemmat julkaisut sisältävät tärkeää tietoa, joka on sisäistettävä ennen navigointijärjestelmän käyttöä.

Suomi

R&TTE-direktiivin 1999/5/EY mukainen yhdenmukaisuusjulistus

Valmistaja:

Pioneer Corporation

1-1, Shin-ogura, Saiwai-ku, Kawasaki-shi,
Kanagawa 212-0031, Japan

EU-edustajat:

Pioneer Europe NV

Haven 1087, Keetberglaan 1,
9120 Melsele, Belgium
<http://www.pioneer.eu>



English:

Hereby, Pioneer, declares that this AVIC-F220 is in compliance with the essential requirements and other relevant provisions of Directive 1999/5/EC.

Suomi:

Pioneer vakuuttaa täten että AVIC-F220 tyyppinen laite on direktiivin 1999/5/EY oleellisten vaatimusten ja sitä koskevien direktiivin muiden ehtojen mukainen.

Nederlands:

Hierbij verklaart Pioneer dat het toestel AVIC-F220 in overeenstemming is met de essentiële eisen en de andere relevante bepalingen van richtlijn 1999/5/EG

Français:

Par la présente Pioneer déclare que l'appareil AVIC-F220 est conforme aux exigences essentielles et aux autres dispositions pertinentes de la directive 1999/5/CE

Svenska:

Härmed intygar Pioneer att denna AVIC-F220 står i överensstämmelse med de väsentliga egenskapskrav och övriga relevanta bestämmelser som framgår av direktiv 1999/5/EG.

Dansk:

Undertegnede Pioneer erklærer herved, at følgende udstyr AVIC-F220 overholder de væsentlige krav og øvrige relevante krav i direktiv 1999/5/EF

Deutsch:

Hiermit erkläre Pioneer, dass sich dieses AVIC-F220 in Übereinstimmung mit den grundlegenden Anforderungen und den anderen relevanten Vorschriften der Richtlinie 1999/5/EG befindet". (BMW)

Ελληνικά:

ΜΕ ΤΗΝ ΠΑΡΟΥΣΑ Pioneer ΔΗΛΩΝΕΙ ΟΤΙ AVIC-F220 ΣΥΜΜΟΡΦΩΝΕΤΑΙ ΠΡΟΣ ΤΙΣ ΟΥΣΙΩΔΕΙΣ ΑΠΑΙΤΗΣΕΙΣ ΚΑΙ ΤΙΣ ΛΟΙΠΕΣ ΣΧΕΤΙΚΕΣ ΔΙΑΤΑΞΕΙΣ ΤΗΣ ΟΔΗΓΙΑΣ 1999/5/ΕΚ

Italiano:

Con la presente Pioneer dichiara che questo AVIC-F220 è conforme ai requisiti essenziali ed alle altre disposizioni pertinenti stabilite dalla direttiva 1999/5/CE.

Español:

Por medio de la presente Pioneer declara que el AVIC-F220 cumple con los requisitos esenciales y cualesquiera otras disposiciones aplicables o exigibles de la Directiva 1999/5/CE

Português:

Pioneer declara que este AVIC-F220 está conforme com os requisitos essenciais e outras disposições da Directiva 1999/5/CE.

Čeština:

Pioneer tímto prohlašuje, že tento AVIC-F220 je ve shodě se základními požadavky a dalšími příslušnými ustanoveními směrnice 1999/5/ES

Eesti:

Käesolevaga kinnitab Pioneer seadme AVIC-F220 vastavust direktiivi 1999/5/EÜ põhinõuetele ja nimetatud direktiivist tulenevatele teistele asjakohastele sätetele.

Magyar:

Alulírott, Pioneer nyilatkozom, hogy a AVIC-F220 megfelel a vonatkozó alapvető követelményeknek és az 1999/5/EC irányelv egyéb előírásainak.

Latviešu valoda:

Ar šo Pioneer deklarē, ka AVIC-F220 atbilst Direktīvas 1999/5/EK būtiskajām prasībām un citiem ar to saistītajiem noteikumiem.

Lietuvių kalba:

Šiuo Pioneer deklaruoją, kad šis AVIC-F220 atitinka esminius reikalavimus ir kitas 1999/5/EB Direktyvos nuostatas.

Malti:

Hawnhekk, Pioneer jiddikjara li dan AVIC-F220 jikkonforma mal-htigijiet essenzjali u ma provvedimenti oħrajn relevanti li hemm fid-Direttiva 1999/5/EC

Slovenščina:

Pioneer týmto vyhlasuje, že AVIC-F220 splňa základné požiadavky a všetky príslušné ustanovenia Smernice 1999/5/ES.

Slovenščina:

Pioneer izjavlja, da je ta AVIC-F220 v skladu z bistvenimi zahtevami in ostalimi relevantnimi določili direktive 1999/5/ES.

Română:

Prin prezenta, Pioneer declara ca acest AVIC-F220 este in conformitate cu cerintele esentiale si alte prevederi ale Directivei 1999/5/EU.

български:

С настоящето, Pioneer декларира, че този AVIC-F220 отговаря на основните изисквания и други съответни постановления на Директива 1999/5/ЕС.

Polski:

Niniejszym Pioneer oświadcza, że AVIC-F220 jest zgodny z zasadniczymi wymogami oraz pozostałymi stosownymi postanowieniami Dyrektywy 1999/5/EC

Norsk:

Pioneer erklærer herved at utstyret AVIC-F220 er i samsvar med de grunnleggende krav og øvrige relevante krav i direktiv 1999/5/EF.

Íslenska:

Hér með lýsir Pioneer yfir því að AVIC-F220 er í samræmi við grunnkröfur og aðrar kröfur, sem gerðar eru í tilskipun 1999/5/EC

7-Zip

License for use and distribution

7-Zip Copyright (C) 1999-2007 Igor Pavlov.

Licenses for files are:

- 1) 7z.dll: GNU LGPL + unRAR restriction
- 2) All other files: GNU LGPL

The GNU LGPL + unRAR restriction means that you must follow both GNU LGPL rules and unRAR restriction rules.

Note:

- You can use 7-Zip on any computer, including a computer in a commercial organization. You don't need to register or pay for 7-Zip.

GNU LGPL information

This library is free software; you can redistribute it and/or modify it under the terms of the GNU Lesser General Public License as published by the Free Software Foundation; either version 2.1 of the License, or (at your option) any later version.

This library is distributed in the hope that it will be useful, but WITHOUT ANY WARRANTY; without even the implied warranty of MERCHANTABILITY or FITNESS FOR A PARTICULAR PURPOSE. See the GNU Lesser General Public License for more details.

You should have received a copy of the GNU Lesser General Public License along with this library; if not, write to the Free Software Foundation, Inc., 59 Temple Place, Suite 330, Boston, MA 02111-1307 USA

unRAR restriction

The decompression engine for RAR archives was developed using source code of unRAR program. All copyrights to original unRAR code are owned by Alexander Roshal.

The license for original unRAR code has the following restriction:

The unRAR sources cannot be used to re-create the RAR compression algorithm, which is proprietary. Distribution of modified unRAR sources in separate form or as a part of other software is permitted, provided that it is clearly stated in the documentation and source comments that the code may not be used to develop a RAR (WinRAR) compatible archiver.

GNU LESSER GENERAL PUBLIC LICENSE

Version 2.1, February 1999

Copyright (C) 1991, 1999 Free Software Foundation, Inc.
59 Temple Place, Suite 330, Boston, MA 02111-1307 USA

Everyone is permitted to copy and distribute

verbatim copies of this license document, but changing it is not allowed.

[This is the first released version of the Lesser GPL. It also counts as the successor of the GNU Library Public License, version 2, hence the version number 2.1.]

Preamble

The licenses for most software are designed to take away your freedom to share and change it. By contrast, the GNU General Public Licenses are intended to guarantee your freedom to share and change free software--to make sure the software is free for all its users.

This license, the Lesser General Public License, applies to some specially designated software packages--typically libraries--of the Free Software Foundation and other authors who decide to use it. You can use it too, but we suggest you first think carefully about whether this license or the ordinary General Public License is the better strategy to use in any particular case, based on the explanations below.

When we speak of free software, we are referring to freedom of use, not price. Our General Public Licenses are designed to make sure that you have the freedom to distribute copies of free software (and charge for this service if you wish); that you receive source code or can get it if you want it; that you can change the software and use pieces of it in new free programs; and that you are informed that you can do these things.

To protect your rights, we need to make restrictions that forbid distributors to deny you these rights or to ask you to surrender these rights. These restrictions translate to certain responsibilities for you if you distribute copies of the library or if you modify it.

For example, if you distribute copies of the library, whether gratis or for a fee, you must give the recipients all the rights that we gave you. You must make sure that they, too, receive or can get the source code. If you link other code with the library, you must provide complete object files to the recipients, so that they can relink them with the library after making changes to the library and recompiling it. And you must show them these terms so they know their rights.

We protect your rights with a two-step method: (1) we copyright the library, and (2) we offer you this license, which gives you legal permission to copy, distribute and/or modify the library.

To protect each distributor, we want to make it very clear that there is no warranty for the free library. Also, if the library is modified by someone else and passed on, the recipients should know that what they have is not the original version, so that the original author's reputation will not be affected by problems that might be introduced by others.

Finally, software patents pose a constant threat to the existence of any free program. We wish to make sure that a company cannot effectively restrict the users of a free program by obtaining a restrictive license from a patent holder. Therefore, we insist that any patent license obtained for a version of the library must be consistent with the full freedom of use specified in this license.

Most GNU software, including some libraries, is covered by the ordinary GNU General Public License. This license, the GNU Lesser General Public License, applies to certain designated libraries, and is quite different from the ordinary General Public License. We use this license for certain libraries in order to permit linking those libraries into non-free programs.

When a program is linked with a library, whether statically or using a shared library, the combination of the two is legally speaking a combined work, a derivative of the original library. The ordinary General Public License therefore permits such linking only if the entire combination fits its criteria of freedom. The Lesser General Public License permits more lax criteria for linking other code with the library.

We call this license the “Lesser” General Public License because it does Less to protect the user’s freedom than the ordinary General Public License. It also provides other free software developers Less of an advantage over competing non-free programs. These disadvantages are the reason we use the ordinary General Public License for many libraries. However, the Lesser license provides advantages in certain special circumstances.

For example, on rare occasions, there may be a special need to encourage the widest possible use of a certain library, so that it becomes a de-facto standard. To achieve this, non-free programs must be allowed to use the library. A more frequent case is that a free library does the same job as widely used non-free libraries. In this case, there is little to gain by limiting the free library to free software only, so we use the Lesser General Public License.

In other cases, permission to use a particular library in non-free programs enables a greater number of people to use a large body of free software. For example, permission to use the GNU C Library in non-free programs enables many more people to use the whole GNU operating system, as well as its variant, the GNU/Linux operating system.

Although the Lesser General Public License is Less protective of the users’ freedom, it does ensure that the user of a program that is linked with the Library has the freedom and the wherewithal to run that program using a modified version of the Library.

The precise terms and conditions for copying, distribution and modification follow. Pay close attention to the difference between a “work based on the library” and a “work that uses the library”. The former contains code derived from the library,

whereas the latter must be combined with the library in order to run.

GNU LESSER GENERAL PUBLIC LICENSE

TERMS AND CONDITIONS FOR COPYING, DISTRIBUTION AND MODIFICATION

0. This License Agreement applies to any software library or other program which contains a notice placed by the copyright holder or other authorized party saying it may be distributed under the terms of this Lesser General Public License (also called “this License”).

Each licensee is addressed as “you”.

A “library” means a collection of software functions and/or data prepared so as to be conveniently linked with application programs (which use some of those functions and data) to form executables.

The “Library”, below, refers to any such software library or work which has been distributed under these terms. A “work based on the Library” means either the Library or any derivative work under copyright law: that is to say, a work containing the Library or a portion of it, either verbatim or with modifications and/or translated straightforwardly into another language. (Hereinafter, translation is included without limitation in the term “modification”.)

“Source code” for a work means the preferred form of the work for making modifications to it. For a library, complete source code means all the source code for all modules it contains, plus any associated interface definition files, plus the scripts used to control compilation and installation of the library.

Activities other than copying, distribution and modification are not covered by this License; they are outside its scope. The act of running a program using the Library is not restricted, and output from such a program is covered only if its contents constitute a work based on the Library (independent of the use of the Library in a tool for writing it). Whether that is true depends on what the Library does and what the program that uses the Library does.

1. You may copy and distribute verbatim copies of the Library’s complete source code as you receive it, in any medium, provided that you conspicuously and appropriately publish on each copy an appropriate copyright notice and disclaimer of warranty; keep intact all the notices that refer to this License and to the absence of any warranty; and distribute a copy of this License along with the Library.

You may charge a fee for the physical act of transferring a copy, and you may at your option offer warranty protection in exchange for a fee.

2. You may modify your copy or copies of the Library or any portion of it, thus forming a work based on the Library, and copy and distribute such modifications

or work under the terms of Section 1 above, provided that you also meet all of these conditions:

- a) The modified work must itself be a software library.
- b) You must cause the files modified to carry prominent notices stating that you changed the files and the date of any change.
- c) You must cause the whole of the work to be licensed at no charge to all third parties under the terms of this License.
- d) If a facility in the modified Library refers to a function or a table of data to be supplied by an application program that uses the facility, other than as an argument passed when the facility is invoked, then you must make a good faith effort to ensure that, in the event an application does not supply such function or table, the facility still operates, and performs whatever part of its purpose remains meaningful.

(For example, a function in a library to compute square roots has a purpose that is entirely well-defined independent of the application.

Therefore, Subsection 2d requires that any application-supplied function or table used by this function must be optional: if the application does not supply it, the square root function must still compute square roots.)

These requirements apply to the modified work as a whole. If identifiable sections of that work are not derived from the Library, and can be reasonably considered independent and separate works in themselves, then this License, and its terms, do not apply to those sections when you distribute them as separate works. But when you distribute the same sections as part of a whole which is a work based on the Library, the distribution of the whole must be on the terms of this License, whose permissions for other licensees extend to the entire whole, and thus to each and every part regardless of who wrote it.

Thus, it is not the intent of this section to claim rights or contest your rights to work written entirely by you; rather, the intent is to exercise the right to control the distribution of derivative or collective works based on the Library.

In addition, mere aggregation of another work not based on the Library with the Library (or with a work based on the Library) on a volume of a storage or distribution medium does not bring the other work under the scope of this License.

3. You may opt to apply the terms of the ordinary GNU General Public License instead of this License to a given copy of the Library. To do this, you must alter all the notices that refer to this License, so that they refer to the ordinary GNU General Public License, version 2, instead of to this License. (If a newer version than version 2 of the ordinary GNU General Public License has appeared, then you can specify that version instead if you wish.) Do not make any other change in these notices.

Once this change is made in a given copy, it is irreversible for that copy, so the ordinary GNU General Public License applies to all subsequent copies and derivative works made from that copy.

This option is useful when you wish to copy part of the code of the Library into a program that is not a library.

4. You may copy and distribute the Library (or a portion or derivative of it, under Section 2) in object code or executable form under the terms of Sections 1 and 2 above provided that you accompany it with the complete corresponding machine-readable source code, which must be distributed under the terms of Sections 1 and 2 above on a medium customarily used for software interchange.

If distribution of object code is made by offering access to copy from a designated place, then offering equivalent access to copy the source code from the same place satisfies the requirement to distribute the source code, even though third parties are not compelled to copy the source along with the object code.

5. A program that contains no derivative of any portion of the Library, but is designed to work with the Library by being compiled or linked with it, is called a “work that uses the Library”. Such a work, in isolation, is not a derivative work of the Library, and therefore falls outside the scope of this License.

However, linking a “work that uses the Library” with the Library creates an executable that is a derivative of the Library (because it contains portions of the Library), rather than a “work that uses the library”. The executable is therefore covered by this License. Section 6 states terms for distribution of such executables.

When a “work that uses the Library” uses material from a header file that is part of the Library, the object code for the work may be a derivative work of the Library even though the source code is not.

Whether this is true is especially significant if the work can be linked without the Library, or if the work is itself a library. The threshold for this to be true is not precisely defined by law.

If such an object file uses only numerical parameters, data structure layouts and accessors, and small macros and small inline functions (ten lines or less in length), then the use of the object file is unrestricted, regardless of whether it is legally a derivative work. (Executables containing this object code plus portions of the Library will still fall under Section 6.)

Otherwise, if the work is a derivative of the Library, you may distribute the object code for the work under the terms of Section 6.

Any executables containing that work also fall under Section 6, whether or not they are linked directly with the Library itself.

6. As an exception to the Sections above, you may also combine or link a “work that uses the Library”

with the Library to produce a work containing portions of the Library, and distribute that work under terms of your choice, provided that the terms permit modification of the work for the customer's own use and reverse engineering for debugging such modifications.

You must give prominent notice with each copy of the work that the Library is used in it and that the Library and its use are covered by this License. You must supply a copy of this License. If the work during execution displays copyright notices, you must include the copyright notice for the Library among them, as well as a reference directing the user to the copy of this License. Also, you must do one of these things:

- a) Accompany the work with the complete corresponding machine-readable source code for the Library including whatever changes were used in the work (which must be distributed under Sections 1 and 2 above); and, if the work is an executable linked with the Library, with the complete machine-readable "work that uses the Library", as object code and/or source code, so that the user can modify the Library and then relink to produce a modified executable containing the modified Library. (It is understood that the user who changes the contents of definitions files in the Library will not necessarily be able to recompile the application to use the modified definitions.)
- b) Use a suitable shared library mechanism for linking with the Library. A suitable mechanism is one that (1) uses at run time a copy of the library already present on the user's computer system, rather than copying library functions into the executable, and (2) will operate properly with a modified version of the library, if the user installs one, as long as the modified version is interface-compatible with the version that the work was made with.
- c) Accompany the work with a written offer, valid for at least three years, to give the same user the materials specified in Subsection 6a, above, for a charge no more than the cost of performing this distribution.
- d) If distribution of the work is made by offering access to copy from a designated place, offer equivalent access to copy the above specified materials from the same place.
- e) Verify that the user has already received a copy of these materials or that you have already sent this user a copy.

For an executable, the required form of the "work that uses the Library" must include any data and utility programs needed for reproducing the executable from it. However, as a special exception, the materials to be distributed need not include anything that is normally distributed (in either source or binary form) with the major components (compiler, kernel, and so on) of the operating system on which

the executable runs, unless that component itself accompanies the executable.

It may happen that this requirement contradicts the license restrictions of other proprietary libraries that do not normally accompany the operating system. Such a contradiction means you cannot use both them and the Library together in an executable that you distribute.

7. You may place library facilities that are a work based on the Library side-by-side in a single library together with other library facilities not covered by this License, and distribute such a combined library, provided that the separate distribution of the work based on the Library and of the other library facilities is otherwise permitted, and provided that you do these two things:

- a) Accompany the combined library with a copy of the same work based on the Library, uncombined with any other library facilities. This must be distributed under the terms of the Sections above.
- b) Give prominent notice with the combined library of the fact that part of it is a work based on the Library, and explaining where to find the accompanying uncombined form of the same work.

8. You may not copy, modify, sublicense, link with, or distribute the Library except as expressly provided under this License. Any attempt otherwise to copy, modify, sublicense, link with, or distribute the Library is void, and will automatically terminate your rights under this License. However, parties who have received copies, or rights, from you under this License will not have their licenses terminated so long as such parties remain in full compliance.

9. You are not required to accept this License, since you have not signed it. However, nothing else grants you permission to modify or distribute the Library or its derivative works. These actions are prohibited by law if you do not accept this License. Therefore, by modifying or distributing the Library (or any work based on the Library), you indicate your acceptance of this License to do so, and all its terms and conditions for copying, distributing or modifying the Library or works based on it.

10. Each time you redistribute the Library (or any work based on the Library), the recipient automatically receives a license from the original licensor to copy, distribute, link with or modify the Library subject to these terms and conditions. You may not impose any further restrictions on the recipients' exercise of the rights granted herein. You are not responsible for enforcing compliance by third parties with this License.

11. If, as a consequence of a court judgment or allegation of patent infringement or for any other reason (not limited to patent issues), conditions are imposed on you (whether by court order, agreement or otherwise) that contradict the conditions of this License, they do not excuse you from the conditions of this License. If you cannot distribute so as to

satisfy simultaneously your obligations under this License and any other pertinent obligations, then as a consequence you may not distribute the Library at all. For example, if a patent license would not permit royalty-free redistribution of the Library by all those who receive copies directly or indirectly through you, then the only way you could satisfy both it and this License would be to refrain entirely from distribution of the Library.

If any portion of this section is held invalid or unenforceable under any particular circumstance, the balance of the section is intended to apply, and the section as a whole is intended to apply in other circumstances.

It is not the purpose of this section to induce you to infringe any patents or other property right claims or to contest validity of any such claims; this section has the sole purpose of protecting the integrity of the free software distribution system which is implemented by public license practices. Many people have made generous contributions to the wide range of software distributed through that system in reliance on consistent application of that system; it is up to the author/donor to decide if he or she is willing to distribute software through any other system and a licensee cannot impose that choice.

This section is intended to make thoroughly clear what is believed to be a consequence of the rest of this License.

12. If the distribution and/or use of the Library is restricted in certain countries either by patents or by copyrighted interfaces, the original copyright holder who places the Library under this License may add an explicit geographical distribution limitation excluding those countries, so that distribution is permitted only in or among countries not thus excluded. In such case, this License incorporates the limitation as if written in the body of this License.

13. The Free Software Foundation may publish revised and/or new versions of the Lesser General Public License from time to time. Such new versions will be similar in spirit to the present version, but may differ in detail to address new problems or concerns.

Each version is given a distinguishing version number. If the Library specifies a version number of this License which applies to it and “any later version”, you have the option of following the terms and conditions either of that version or of any later version published by the Free Software Foundation. If the Library does not specify a license version number, you may choose any version ever published by the Free Software Foundation.

14. If you wish to incorporate parts of the Library into other free programs whose distribution conditions are incompatible with these, write to the author to ask for permission. For software which is copyrighted by the Free Software Foundation, write to the Free Software Foundation; we sometimes make exceptions for this. Our decision will be guided by the two goals of preserving the free status of all

derivatives of our free software and of promoting the sharing and reuse of software generally.

NO WARRANTY

15. BECAUSE THE LIBRARY IS LICENSED FREE OF CHARGE, THERE IS NO WARRANTY FOR THE LIBRARY, TO THE EXTENT PERMITTED BY APPLICABLE LAW.

EXCEPT WHEN OTHERWISE STATED IN WRITING THE COPYRIGHT HOLDERS AND/OR OTHER PARTIES PROVIDE THE LIBRARY “AS IS” WITHOUT WARRANTY OF ANY KIND, EITHER EXPRESSED OR IMPLIED, INCLUDING, BUT NOT LIMITED TO, THE IMPLIED WARRANTIES OF MERCHANTABILITY AND FITNESS FOR A PARTICULAR PURPOSE. THE ENTIRE RISK AS TO THE QUALITY AND PERFORMANCE OF THE LIBRARY IS WITH YOU. SHOULD THE LIBRARY PROVE DEFECTIVE, YOU ASSUME THE COST OF ALL NECESSARY SERVICING, REPAIR OR CORRECTION.

16. IN NO EVENT UNLESS REQUIRED BY APPLICABLE LAW OR AGREED TO IN WRITING WILL ANY COPYRIGHT HOLDER, OR ANY OTHER PARTY WHO MAY MODIFY AND/OR REDISTRIBUTE THE LIBRARY AS PERMITTED ABOVE, BE LIABLE TO YOU FOR DAMAGES, INCLUDING ANY GENERAL, SPECIAL, INCIDENTAL OR CONSEQUENTIAL DAMAGES ARISING OUT OF THE USE OR INABILITY TO USE THE LIBRARY (INCLUDING BUT NOT LIMITED TO LOSS OF DATA OR DATA BEING RENDERED INACCURATE OR LOSSES SUSTAINED BY YOU OR THIRD PARTIES OR A FAILURE OF THE LIBRARY TO OPERATE WITH ANY OTHER SOFTWARE), EVEN IF SUCH HOLDER OR OTHER PARTY HAS BEEN ADVISED OF THE POSSIBILITY OF SUCH DAMAGES.

END OF TERMS AND CONDITIONS

How to Apply These Terms to Your New Libraries

If you develop a new library, and you want it to be of the greatest possible use to the public, we recommend making it free software that everyone can redistribute and change. You can do so by permitting redistribution under these terms (or, alternatively, under the terms of the ordinary General Public License).

To apply these terms, attach the following notices to the library. It is safest to attach them to the start of each source file to most effectively convey the exclusion of warranty; and each file should have at least the “copyright” line and a pointer to where the full notice is found.

<one line to give the library's name and a brief idea of what it does.>
Copyright (C) <year> <name of author>

This library is free software; you can redistribute it and/or modify it under the terms of the GNU Lesser General Public License as published by the Free Software Foundation; either version 2.1 of the License, or (at your option) any later version.

This library is distributed in the hope that it will be useful, but WITHOUT ANY WARRANTY; without even the implied warranty of MERCHANTABILITY or FITNESS FOR A PARTICULAR PURPOSE. See the GNU Lesser General Public License for more details.

You should have received a copy of the GNU Lesser General Public License along with this library; if not, write to the Free Software Foundation, Inc., 59 Temple Place, Suite 330, Boston, MA 02111-1307 USA

Also add information on how to contact you by electronic and paper mail.

You should also get your employer (if you work as a programmer) or your school, if any, to sign a "copyright disclaimer" for the library, if necessary. Here is a sample; alter the names:

Yoyodyne, Inc., hereby disclaims all copyright interest in the library 'Frob' (a library for tweaking knobs) written by James Random Hacker.

<signature of Ty Coon>, 1 April 1990
Ty Coon, President of Vice

That's all there is to it!

7-Zip Source Notice

The software program used in this product contains 7-Zip library. 7-Zip contains the software granted permission for the usage under the terms of the GNU Lesser General Public License. A copy of appropriate source code is available at customer necessary expense for the distribution.

Please contact our Customer Support Center to obtain a copy. For more information on the GNU Lesser General Public License, visit the GNU's website at <http://www.gnu.org>.

Portions of the software in this product are copyright 1996 – 2007 The FreeType Project (www.freetype.org).

All rights reserved. Licensed under the Free- Type Project LICENSE, 2006-Jan-27. (<http://www.freetype.org/FTL.TXT>)

Kiitos siitä, että olet ostanut tämän Pioneer-tuotteen

Lue nämä käyttöohjeet huolellisesti, jotta osaat käyttää malliasi oikein. *Kun olet lukenut ohjeet, talleta ne varmaan paikkaan myöhempää käyttöä varten.*

Varotoimenpide	10
Tietoa käyttäjille vanhojen laitteiden ja käytettyjen akkujen keräyksestä ja hävityksestä	10
Huomautuksia sisäänrakennetusta akusta	10
• Akun vaihtaminen	10
• Akun hävittäminen	11
Lisenssisopimus	12
PIONEER AVIC-F220	12
TELE ATLAS -DATAN KÄYTTÖEHDOT	14
• Loppukäyttäjän lupaehdot	14
Tietoa tietokannasta	19
Tietoja karttatietokannan tiedoista	19
Tärkeitä turvallisuustietoja	20
Irrotettavaa laitetta koskevat varoitukset	21
• Irrotettavan laitteen akun lataaminen	21
Eco-ajotoiminto	22
Polttoainekustannusten hallinta	22
Liikennetietoja	22
Nopeusrajoituksen osoitus	22
Lisäturvaohjeet	23
Käsijarrulukko	23
Akun tyhjenemisen estäminen	23
SD-korttipaikan käsittely	23
USB-liitännän (Mini-B) käyttö	23
Huomioita ennen järjestelmän käyttöä	24
Häiriön sattuessa	24
Vieraile web-sivuillamme	24
Tietoja laitteesta	24
Toimitettu CD-ROM	24

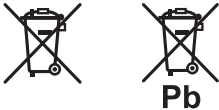
Tietoa käyttäjille vanhojen laitteiden ja käytettyjen akkujen keräyksestä ja hävityksestä

(Laitteiden merkintä)



Nämä merkinnät tuotteissa, pakkauksissa ja/tai mukana toimitettavissa oppaissa tarkoittavat, että käytettyjä sähkö- ja elektroniikkatuotteita ja akkuja ei saa hävittää yleisen kotitalousjätteen seassa. Vie vanhat tuotteet ja käytetyt akut niille tarkoitettuihin keräyspisteisiin maasi lakien mukaisesti, jotta ne käsitellään ja kierrätetään asianmukaisesti.

(Esimerkkejä akkumerkinnöistä)



Hävittämällä nämä tuotteet ja akut oikein autat säästämään kallisarvoisia luonnonvaroja ja estämään mahdolliset haitalliset vaikutukset ihmisten terveyteen ja ympäristöön.

Lisätietoa vanhojen tuotteiden ja akkujen keräyksestä ja kierrätyksestä saat asuinkuntasi viranomaisilta, käyttämältäsi jätehuoltoyritykseltä tai hävitettävän tuotteen ostopaikasta.

Nämä merkinnät koskevat vain Euroopan unionin maita.

Euroopan unionin ulkopuoliset maat:

Jos haluat hävittää nämä tuotteet, käänny paikallisten viranomaisten tai jälleenmyyjän puoleen ja pyydä ohjeet hävitystä varten.

Huomautuksia sisäänrakennetusta akusta

⚠ VAARA

- Akkuja (akkupakettia tai asennettuja akkuja) ei saa altistaa liialliselle kuumuudelle, esim. auringonvalolle, tulipalolle tms.
- Akku voi räjähtää, jos se vaihdetaan väärin. Älä vaihda akkuja itse.
- Käytä ainoastaan tämän laitteen sisäänrakennettua akkuja. Muiden akkujen käyttö on vaarallista ja saattaa aiheuttaa toimintavian.
- Pidä akku poissa pikkulasten ulottuvilta, jotteivät he vahingossa nielisi sitä.
- Älä kohdista irrotettavaan laitteeseen tai sisäänrakennettuun akkuun iskuja.
- Älä käytä vaurioitunutta tai vuotavaa akkuja. Jos akku vuotaa, pyyhi irrotettava laite täysin puhtaaksi ja käänny jälleenmyyjän tai lähimmän valtuutetun Pioneer-huollon puoleen.
- Jos vuotanutta nestettä joutuu silmiin, huuhtelee se heti pois vedellä hieromatta silmiäsi.
- Jos akku vuotaa, älä hengitä vuotaneesta nesteestä nousevia höyryjä. Höyryjen hengittäminen voi aiheuttaa tajunnan menetyksen.
- Älä käsittele akkuja metallityökaluilla. Älä säilytä akkuja metalliesineiden kanssa.
- Kun hävität käytetyt akut, hävitä ne maasi säädösten ja ympäristölainsäädännön mukaisesti.

Akun vaihtaminen

⚠ VAROITUS

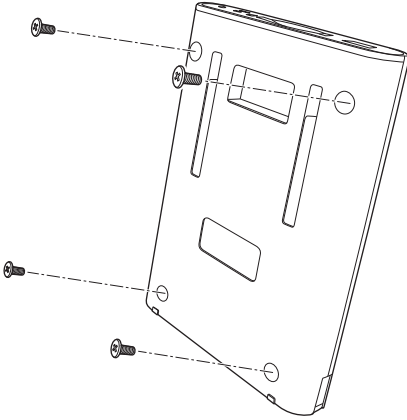
Älä missään nimessä yritä vaihtaa akkuja itse. Vain Pioneerin huoltohenkilökunta saa vaihtaa akun.

Akun hävittäminen

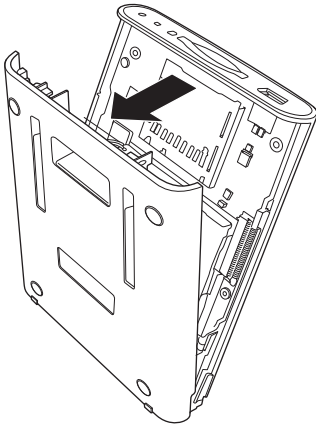
⚠ VAARA

Älä avaa kanta muutoin kuin akun hävittämistä varten.

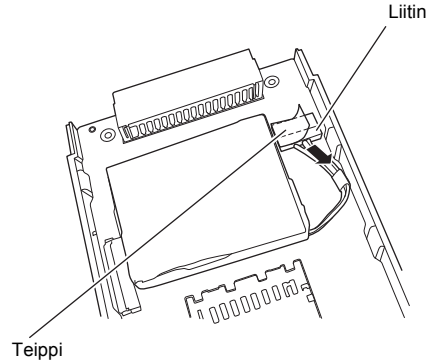
1. Irrota ruuvit irrotettavan laitteen takaa.



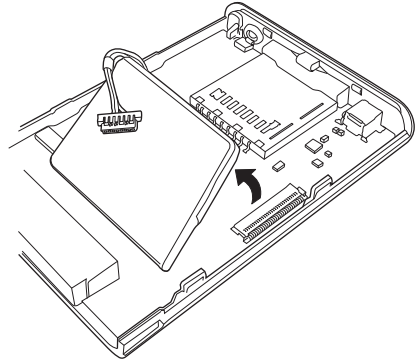
2. Avaa takakansi.



3. Vedä teippi irti ja irrota akun liitin.



4. Poista akku.



PIONEER AVIC-F220

TÄMÄ ON LAILLISESTI SITOVA SOPIMUS LOPPUKÄYTTÄJÄN JA PIONEER CORP. (JAPAN) YHTIÖN ("PIONEER") VÄLILLÄ. LOPPUKÄYTTÄJÄN TULEE LUKEA TÄMÄN SOPIMUKSEN EHDOT HUOLELLISESTI ENNEN PIONEER-TUOTTEISIIN ASENETTUN OHJELMISTON KÄYTTÖÄ. KÄYTTÄMÄLLÄ PIONEER-TUOTTEISIIN ASENETTUA OHJELMISTOA LOPPUKÄYTTÄJÄ SITOUTUU TÄMÄN SOPIMUKSEN EHDOT. OHJELMISTO SISÄLTÄÄ KOLMANSIEN OSAPUOLTEN ("TOIMITTAJAT") LISENSOIMAN TIETOKANNAN, JA SEN KÄYTTÖ ON TOIMITTAJIEN ERILLISTEN EHTOJEN, JOTKA OVAT TÄMÄN SOPIMUKSEN LIITTEENÄ (katso sivu 14), ALAISTA. JOS LOPPUKÄYTTÄJÄ EI HYVÄKSY KAIKKIA NÄITÄ EHTOJA, TÄMÄN TULE PALAUTTAA PIONEER-TUOTTEET (OHJELMISTO JA MAHDOLLINEN KIRJALLINEN MATERIAALI) VIIDEN (5) PÄIVÄN SISÄLLÄ TUOTTEIDEN VASTAANOTOSTA VALTUUTETULLE PIONEER-MYYJÄLLE, JOLTA NE ON OSTETTU.

1. KÄYTTÖOIKEUDEN MYÖNTÄMINEN

Pioneer myöntää loppukäyttäjälle ei-siirrettävän, ei-yksinoikeuskäyttö sopimuksen Pioneer-tuotteisiin asennetun ohjelmiston ("Ohjelmisto") ja niihin liittyvät asiakirjat käyttöön vain omaan henkilökohtaiseen tai yrityksen sisäiseen käyttöön vain kyseisissä Pioneer-tuotteissa.

Loppukäyttäjä ei saa kopioida, takaisinkääntää, kääntää, siirtää tai muokata Ohjelmistoa eikä tehdä siitä johdannaistuotteita. Loppukäyttäjä ei saa lainata, vuokrata, paljastaa, julkaista, myydä, alilisensoida, markkinoida tai muuten siirtää Ohjelmistoa eikä käyttää sitä tavalla, johon ei erityisesti myönnetä lupaa tässä sopimuksessa. Loppukäyttäjä ei saa johtaa tai yrittää johtaa Ohjelmiston tai minkään sen osan lähdekoodia tai rakennetta takaisinkääntämällä, purkamalla tai millään muulla tavalla. Ohjelmistoa ei saa käyttää palvelun ylläpitoon tai muuten tavalla, joka edellyttää tietojen käsittelyä muita varten.

Pioneer ja sen lisenssinmyöntäjät pitävät itsellään kaikki tekijänoikeudet,

liikesalaisuus oikeudet, patenttioikeudet ja muut aineettomat oikeudet Ohjelmistoon. Ohjelma on tekijänoikeussuojan alainen eikä sitä saa kopioida, ei edes muokattuna tai sulautettuna toisiin tuotteisiin. Loppukäyttäjä ei saa muuttaa tai poistaa mitään Ohjelmistoon sisältyvää tai liittyvää tekijänoikeutta tai omistusoikeutta osoittavaa ilmoitusta.

Loppukäyttäjä voi siirtää kaikki käyttöoikeutensa Ohjelmistoon, siihen liittyvän dokumentaation ja tämän käyttöoikeussopimuksen toiselle osapuolelle, mikäli tämä osapuoli lukee tämän käyttöoikeussopimuksen ja hyväksyy sen ehdot.

2. VASTUUVAPAUSLAUSEKE

Ohjelmisto ja siihen liittyvä dokumentaatio tarjotaan "SELLAISENAAN". PIONEER JA SEN LISENSSINMYÖNTÄJÄ(T) (ehdoissa 2 ja 3 Pioneeria ja sen lisenssinmyöntäjä kutsutaan yhteisesti nimellä "Pioneer") EI ANNA EIKÄ LOPPUKÄYTTÄJÄ SAA MITÄÄN, SUORAA TAI EPÄSUORAA, TAKUUTA JA KAIKKI TAKUUT KAUPATTAVUUDESTA JA SOPIVUUDESTA TIETTYYN TARKOITUKSEEN NIMENOMAISESTI KIELLETÄÄN. JOTKUT MAAT EIVÄT SALLI EPÄSUORIEN TAKUIDEN KIELTÄMISTÄ, JOLLOIN EDELLÄ MAINITTUA KIELTOA EI SOVELLETA. Ohjelmisto on monimutkainen ja voi sisältää joitain vaatimustenvastaisuuksia, puutteita ja virheitä. Pioneer ei takaa, että Ohjelmisto täyttää käyttäjän tarpeet tai odotukset, että Ohjelmiston toiminta on virheetöntä tai keskeytymätöntä tai että kaikki vaatimustenvastaisuudet voidaan korjata tai tullaan korjaamaan. Lisäksi Pioneer ei esitä tai takaa mitään Ohjelmiston käytön tai käytön tulosten suhteen tarkkuuden tai luotettavuuden osalta tai muuten.

3. VASTUUNRAJOITUSLAUSEKE

MISSÄÄN TAPAUKSESSA PIONEER EI OLE VASTUUSSA MISTÄÄN VAHINGOISTA, MENETYKSISTÄ TAI TAPPIOISTA (MUKAAN LUKIEN NIIHIN RAJOITTUMATTA HYVITTÄVÄT, SATUNNAISET, EPÄSUORAT, ERITYISET, SEURAAMUKSELLISET TAI ESIMERKILLISET VAHINGOT, MENETYTY

VOITOT, MENETETYT MYYNNIT TAI LIKETOIMET, MIHINKÄÄN LIKETOIMINTAAN LIITTYVÄT KUSTANNUKSET, SIOITUKSET TAI SITOUMUKSET, MAINEEN KÄRSIMINEN), JOTKA AIHEUTUVAT OHJELMISTON KÄYTÖSTÄ TAI KYVYTTÖMYYDESTÄ KÄYTTÄÄ SITÄ, SIINÄKIN TAPAUKSESSA, ETTÄ PIONEERILLE OLI KERROTTU TAI SE TIESI TAI SEN OLISI PITÄNYT TIETÄÄ SELLAISTEN VAHINKOJEN TODENNÄKÖISYYDESTÄ. TÄMÄ RAJOITUS KOSKEE KAIKKIA KANTEIDEN AIHEITA, MUKAAN LUKIEN NIIHIN RAJOITTUMATTA SOPIMUKSEN RIKKOMUKSET, TAKUUN RIKKOMUKSET, LAIMINLYÖNTI, SUORA VASTUU, HARHAANJOHTAMINEN JA MUUT RIKKOMUKSET. MIKÄLI PIONEERIN TÄSSÄ SOPIMUKSESSA MÄÄRITETTY VASTUUSVAPAUSLAUSEKE TAI VASTUUNRAJOITUSLAUSEKE KATSOTAAN MISTÄ SYYSTÄ HYVÄNSÄ TOTEENPANOKELVOTTOMAKSI, LOPPUKÄYTTÄJÄ HYVÄKSYY, ETTÄ PIONEERIN VASTUU EI YLITÄ VIITTÄKYMMENTÄ PROSENTTIA (50 %) LOPPUKÄYTTÄJÄN OHEISESTA PIONEER-TUOTTEESTA MAKSAMASTA HINNASTA.

Jotkut maat eivät salli vastuun satunnaisista tai seuraamuksellisista vahingoista kieltämisestä tai rajoittamisesta, joten edellä mainittu rajoitus tai kielto ei ehkä koske sinua. Tätä vastuuvapauslauseketta ja vastuunrajoituslauseketta ei sovelleta siltä osin kuin jonkin maan tai alueen laki ei sitä salli.

4. VIENTILAKIVAKUUTUKSET

Loppukäyttäjä hyväksyy ja vahvistaa, että sen enempää ohjelmistoa kuin mitään Pioneerilta saatuja teknisiä tietoja tai niiden välitöntä tuotetta, ei viedä sen maan tai alueen ("Maa") ulkopuolella, jonka valtiolla ("Valtio") on tuomiovalta loppukäyttäjän suhteen, paitsi jos Valtion lait ja määräykset sen sallivat. Jos loppukäyttäjä on laillisesti hankkinut ohjelmiston Valtion ulkopuolelta, tämän hyväksyy, ettei vie ohjelmistoa tai mitään muita Pioneerilta saatuja teknisiä tietoja tai niiden välitöntä tuotetta paitsi Valtion ja sen tuomiovallan, jonka alueelta ohjelmisto on

hankittu, lakien ja määräyksiensä sallimalla tavalla.

5. PURKAMINEN

Tämä sopimus on voimassa, kunnes se puretaan. Loppukäyttäjä voi purkaa sopimuksen koska tahansa hävittämällä ohjelmiston. Sopimus purkautuu myös, jos loppukäyttäjä ei noudata sen ehtoja. Loppukäyttäjä sitoutuu hävittämään ohjelmiston sellaisessa tapauksessa.

6. MUUTA

Tämä on koko sopimus loppukäyttäjän ja Pioneerin välillä. Mikään muutos tähän sopimukseen ei tule voimaan ilman Pioneerin kirjallista hyväksyntää. Jos jokin osa tästä sopimuksesta todetaan täytäntöönpanokelvottomaksi, muut sopimuksen osat jäävät voimaan.

TELE ATLAS -DATAN KÄYTTÖEHDOT

Loppukäyttäjän lupaehdot

TÄMÄ ON LAILLINEN SOPIMUS (“SOPIMUS”) SINUN, LOPPUKÄYTTÄJÄN, JA PIONEERIN ja sen Data-tuotteen lisenssinmyöntäjien (toisinaan yhteisesti “Lisenssinmyöntäjät”) VÄLILLÄ. KÄYTTÄMÄLLÄ KÄYTÖSSÄSI OLEVAA LUVANALAISTA DATAA, HYVÄKSYT TÄMÄN SOPIMUKSEN EHDOT.

1. Lisenssin myöntäminen.

Lisenssinmyöntäjät myöntävät loppukäyttäjälle ei siirrettävän, ei yksinkäyttöoikeudellisen luvan käyttää näillä levyillä olevia karttatietoja ja liiketoimintapalveluita koskevia tietoja (“POIT”), jotka omistaa Tele Atlas, (yhteisesti “Data”) yksinomaan henkilökohtaiseen, ei-kaupalliseen käyttöön, mutta ei hoitamaan palvelualan toimistoa tai mihinkään muuhunkaan käyttöön, johon liittyy muiden henkilöiden tai yritysten tietojenkäsittely. Loppukäyttäjä saa tehdä ainoastaan yhden (1) kopion arkistointi- tai varmistustarkoituksiin, mutta muuten Dataa ei saa kopioida, monistaa tai muokata tai tehdä siitä johdannaistuotteita, johtaa sen rakennetta tai käyttää siihen käänteistekniikkaa. Dataa ei saa käyttää muuta kun PIONEER-tuotte(id)en kanssa. Data sisältää luottamuksellisia tietoja ja materiaaleja, ja se saattaa sisältää liikesalaisuuksia, joten loppukäyttäjä lupautuu pitämään Daten luottamuksellisenä ja tallessa eikä paljastamaan sitä tai osia siitä missään muodossa, kuten vuokraamalla, liisaamalla, julkaisemalla, myöntämällä alilisenssiä tai siirtämällä Dataa millekään kolmannelle osapuolelle. Loppukäyttäjää nimenomaisesti kielletään lataamasta digitaalisia karttoja tai Dataan sisältyviä ohjelmia tai siirtämästä niitä toiseen laitteeseen tai tietokoneeseen. Loppukäyttäjää kielletään poistamasta tai peittämstä mitään tekijänoikeutta, tavaramerkkiä tai rajoitettavaa ilmoitusta.

2. Omistajuus.

Tele Atlaksella ja lisenssinmyöntäjillä on Daten tekijänoikeudet ja he pidättävät itsellään kaikki omistusoikeudet Dataan.

Loppukäyttäjä lupautuu olemaan muuttamatta, poistamatta, hävittämättä tai peittämättä mitään Dataan sisältyvää tai liittyvää tekijänoikeutta tai omistusoikeutta osoittavaa ilmoitusta. Voimassa olevat tekijänoikeudet on tarkistettava kappaleesta 12.

3. Vastuuvollisuuden rajoitus.

TELE ATLAS TAI SEN TOIMITTAJAT EIVÄT OLE VASTUUSSA LOPPUKÄYTTÄJÄLLE MISTÄÄN TÄSTÄ SOPIMUKSESTA SYNTYVISTÄ SATUNNAISISTA, SEURAAMUKSELLISISTA, ERITYISISTÄ, EPÄSUORISTA TAI ESIMERKILLISISTÄ VAHINGOISTA (MUKAAN LUKIEN VAHINGOT LIIKETOIMINTAVOITON MENETYKSISTÄ, LIIKETOIMINNAN KESKEYTYMISESTÄ, LIIKETOIMINTATIETOJEN MENETYKSESTÄ TAI VASTAAVASTA), RIIPPUMATTA SIITÄ, ONKO TOISELLE OSAPUOLELLE ILMOITETTU TÄLLAISTEN VAHINKOJEN MAHDOLLISUUDESTA. MISTÄÄN TÄSSÄ SOPIMUKSESSA MAINITUSTA HUOLIMATTA TELE ATLAKSELLA EI OLE RAHALLISTA VASTUUTA LOPPUKÄYTTÄJÄLLE MISTÄÄN SYYSTÄ (TOIMENPITEESTÄ RIIPPUMATTA) TÄMÄN SOPIMUKSEN PUITTEISSA TAI SIIHEN LIITTYEN.

4. Takuun vastuuvapautuslauseke.

DATA TOIMITETAAN “SELLAISENAAN” JA “KAIKKINE VIRHEINEEN” JA PIONEER, SEN LISENSSINMYÖNTÄJÄT JA LISENSOIDUT JÄLLEENMYYJÄT JA TOIMITTAJAT (YHTEISESTI “TOIMITTAJAT”), NIMENOMaisesti KIISTÄÄ KAIKKI MUUT TAKUUT, SUORAT JA EPÄSUORAT, MUKAAN LUKIEN NIIHIN RAJOITTUMATTA EPÄSUORAT TAKUUT LOUKKAAMATTOMUUDESTA, KAUPATTAVUUDESTA, HYÖDYLLISYYDESTÄ, TÄYDELLISYYDESTÄ, TARKKUUDESTA, NIMIKKEESTÄ TAI SOPIVUUDESTA TIETTYYN TARKOITUKSEEN. PIONEER, SEN LISENSSINMYÖNTÄJÄT TAI TOIMITTAJAT EIVÄT TAKAA, ETTÄ DATA VASTAA LOPPUKÄYTTÄJÄN TARPEITA TAI ETTÄ DATAN TOIMINTA OLISI KESKEYTYMÄTÖNTÄ TAI VIRHEETÖNTÄ. MIKÄÄN PIONEERIN, SEN

LISENSSINMYÖNTÄJIEN, TOIMITTAJIEN TAI KENENKÄÄN NIIDEN VASTAAVIEN TYÖNTEKIJÖIDEN ANTAMA SUULLINEN TAI KIRJALLINEN OHJE EI MUODOSTA TAKUUTA TAI KASVATA MILLÄÄN TAVALLA PIONEERIN, SEN LISENSSINMYÖNTÄJIEN TAI TOIMITTAJIEN VASTUUVOLLISUUTTA EIKÄ MIHINKÄÄN SELLAISIIN TIETOIHIIN TAI OHJEISIIN SAA LUOTTAA. TÄMÄ VASTUUVAPAUTUSLAUSEKE KUULUU OLEELLISENA EHTONA TÄHÄN SOPIMUKSEEN JA LOPPUKÄYTTÄJÄ HYVÄKSYY DATAN TÄLLÄ PERUSTEELLA.

5. Päättyminen.

Tämä Sopimus päättyy välittömästi ja automaattisesti ilman eri ilmoitusta, jos loppukäyttäjä rikkoo jotain tämän Sopimuksen ehtoa. Loppukäyttäjällä hyväksyy, että mikäli sopimus päättyy, hän palauttaa Datan (mukaan luettuina kaikki asiakirjat ja kopiot) PIONEERILLE ja sen toimittajille.

6. Korvaus.

Loppukäyttäjällä suostuu korvaamaan PIONEERILLE ja puolustamaan ja pitämään PIONEERIN, sen lisenssinmyöntäjät ja toimittajat (mukaan lukien niiden vastaavat lisenssinmyöntäjät, toimittajat, oikeudenhaltijat, tytär- ja haarayhtiöt sekä vastaavat virkailijat, johtajat, työntekijät, osakkeenomistajat, agentit ja edustajat) vapaana ja vahingoittumattomana kaikkia vastuuvollisuuksia, menetyksiä, loukkaantumisia (mukaan lukien kuolemaan johtavat vahingoittumiset), vaatimuksia, toimia, kuluja, kustannuksia tai minkäänlaisia tai -luonteisia vaateita vastaan, mukaan lukien niihin rajoittumatta loppukäyttäjän Datan käyttöön tai omistukseen tai niistä johtuvat asianajajapalkkiot.

7. Ainoastaan Iso-Britannian dataa ja Pohjois-Irlannin dataa koskevat lisäsovitusehdot.

- 1 Loppukäyttäjää kielletään poistamasta tai peittämästä mitään Ordnance Surveylle kuuluvaa tekijänoikeutta, tavaramerkkiä tai rajoitettavaa ilmoitusta.
- 2 Ordnance Survey kiistää kaikki takuut, olivatpa ne sitten suoria tai epäsuoria, mukaan lukien muiden muassa hiljaiset takuut loukkaamattomuudesta,

kaupattavuudesta, täydellisyydestä, tarkkuudesta ja sopivuudesta tiettyyn käyttötarkoitukseen. Loppukäyttäjällä hyväksyy sen, että Ordnance Survey ei anna takuita eikä väitä Iso-Britanniaa koskevan Tele Atlas® MultiNet® -datan olevan täydellistä, tarkkaa ja/tai ajantasaista, ja käyttöehtojen oleellinen ehto on se, että loppukäyttäjällä hyväksyy Iso-Britanniaa koskevan Tele Atlas® MultiNet® -datan tältä pohjalta. Data saattaa sisältää tietoja lisenssinmyöntäjästä, mukaan lukien Ordnance Survey.

- 3 Ordnance Survey kiistää kaiken vastuun Iso-Britanniaa koskevasta Tele Atlas® MultiNet® -datasta.
- 4 Iso-Britanniaa koskevan Tele Atlas® MultiNet® -datan käyttö missä tahansa painetussa ja julkaistussa muodossa on kielletty, jos tällaisen toiminnan seurauksena lisäarvoa sisältävää tuotetta jaetaan ilmaiseksi tai myydään kuluttajille ilman Ordnance Surveyn etukäteän antamaa lupaa.
- 5 Loppukäyttäjällä korvaa Ordnance Surveylle ja pitää sen vahingoittumattomana kaikkia vaateita, vaatimuksia ja toimenpiteitä vastaan, riippumatta vaateiden, vaatimusten ja toimenpiteiden syyn luonteesta, joissa väitetään Iso-Britanniaa koskevan Tele Atlas® MultiNet® -datan käytön aiheuttaneen menetyksiä, kustannuksia, kuluja, vahinkoja tai vammoja (mukaan lukien kuolemaan johtaneet vammat).
- 6 Loppukäyttäjällä hyväksyy velvollisuuden antaa pyynnöstä Ordnance Surveylle tietoja siitä, mitä lisensoiduista Tele Atlas -tuotteista johdettuja ja/tai niitä sisältäviä tuotteita ja/tai palveluita se tuottaa.
- 7 Loppukäyttäjällä on vastuussa Ordnance Surveylle, mikäli paljastuu, että se on rikonut edellä olevia sovitusehtoja. Loppukäyttäjällä hyväksyy velvollisuuden antaa pyynnöstä Ordnance Surveylle tietoja siitä, mitä lisensoiduista tuotteista johdettuja ja/tai niitä sisältäviä tuotteita ja/tai palveluita se tuottaa.

Auditoinnit

Tässä sopimuksessa määritellyt Tele Atlaksen oikeudet koskevat myös Ordnance

Surveyn auditoijia ja/tai, Iso-Britannian dataa toimitettaessa, National Audit Office -virastoa. Mahdollisiin maksettaviin summiin sovelletaan kahden prosentin (2 %) korkoa yli National Westminster Bank plc:n peruskoron siitä päivämäärästä, jolloin summa erääntyi alunperin maksettavaksi, maksupäivään asti (pääöstä ennen tai sen jälkeen).

Ordnance Survey ja/tai National Audit Office -virasto varaa oikeuden auditoida loppukäyttäjän kirjanpidon tai tilit suoraan täysin samoilla ehdoilla kuin käyttöoikeuden saaja on veloitettu tässä sopimuksessa, jotta Ordnance Surveylla on tämä auditointioikeus suhteessa kaikkiin tuotetoimittajiin ja/tai palveluihin, jotka sisältyvät ja/tai on johdettu lisensoiduista Tele Atlas -tuotteista.

Käyttöoikeuden saaja suostuu siihen, että jos käyttöehtojen rikkomista havaitaan, ehtoja rikkoneet loppukäyttäjät ja käyttöoikeuden saaja ovat yhteisvastuullisesti vastuussa Ordnance Surveylle.

8. Ainoastaan Norjan Dataa koskevat lisäsovimusehdot.

Loppukäyttäjä ei saa käyttää Norjan Tele Atlas® MultiNet®-dataa yleiseen kaupalliseen käyttöön tarkoitettujen painettujen tai digitaalisten karttojen valmistamiseen, jotka ovat Norjan kartoitusviranomaisen kansallisten perustuotteiden kaltaisia.

9. Lisäehdot Tele Atlas® Premium Points of Interest -paikoille (kiinnostavat paikat, POI). Lisensoituja Tele Atlas POI -tuotteita koskevat ehdot:

(Seuraavat ehdot koskevat vain tuotteita, jotka sisältävät Tele Atlas® Premium Points of Interest -tietoja.)

Loppukäyttäjä sitoutuu olemaan menettelemättä seuraavasti:

(a) muutoin kuin näissä ehdoissa on mainittu, loppukäyttäjä ei lisensoi tai muulla tavalla toimita lisensoituja POI Tele Atlas -tuotteita kolmansille osapuolille tarkoituksena myydä, jatkolisensoida, jakaa tai koota, parantaa, tarkistaa, täydentää, lisätä tai poistaa sähköpostiluetteloista, maantieteellisistä tai liikehakemistoista, yrityshakemistoista, luokitelluista hakemistoista, mainoshakemistoista, joita myydään, vuokrataan, julkaistaan tai muulla tavalla toimitetaan kolmansille osapuolille;

(b) loppukäyttäjä ei aseta lisensoituja POI Tele Atlas -tuotteita saataville online-ympäristöön, mikäli niitä ei ole asianmukaisesti suojattu ja/tai salattu lisensoitujen POI Tele Atlas -tuotteiden luvattoman käytön estämiseksi; ja

(c) loppukäyttäjä ei käytä lisensoituja POI Tele Atlas -tuotteita, joko kokonaisia tai osittaisia, osana (i) yksilön luotto- tai vakuutuskelpoisuuden määrittämistä; (ii) yksittäisen vakuutuksen vakuutus sopimuksen tekemistä; (iii) yksilön arviointia työhönotto- tai ylennystarkoituksessa, työtehtävien muuttamisessa tai työsuhteen jatkamisessa; (iv) yksilön kelpoisuuden määrittämistä lisenssin tai muun valtiollisen tahon myöntämän edun suhteen; tai (v) vainajien omaisten tavoittelemista.

(d) loppukäyttäjä ei luo postitus- tai puhelinmarkkinointiluetteloja, ellei tähän ole annettu valtuutusta tässä sopimuksessa.

(e) loppukäyttäjä säilyttää lisensoituja POI Tele Atlas -tuotteita internetissä palomuurilla suojattuina ja ottaa käyttöön valvontajärjestelmän, joka (i) suojaa lisensoitujen POI Tele Atlas -tuotteiden koskemattomuutta; (ii) valvoo pääsyä lisensoituihin POI Tele Atlas -tuotteisiin ja (iii) estää lisensoitujen POI Tele Atlas -tuotteiden luvattoman käytön tai kopioinnin.

10. Lisäehdot Tele Atlas® Brand Icon Licensed Tele Atlas -tuotteille ("Brand Icon Licensed Tele Atlas -tuote"):

(Seuraavat ehdot koskevat vain tuotteita, jotka sisältävät Tele Atlas® Brand Icon Licensed Tele Atlas -tuotteen.)

a Loppukäyttäjän oikeudet käyttää Brand Icon Licensed Tele Atlas -tuotetta ja mitä tahansa sen osaa rajoittuvat pelkästään Tele Atlaksen saataville asettaman tai valmistaman avaruusvektoridatan arvon kasvattamiseen ja/tai käyttöön. Huolimatta kaikesta tässä sopimuksessa tai missä tahansa liitteessä tai näytteessä mainitusta loppukäyttäjä ei saa missään tapauksessa käyttää Brand Icon Licensed Tele Atlas -tuotetta tai mitään sen osaa yhdessä muiden kuin Tele Atlaksen saataville asettaman tai valmistaman avaruusvektoridatan kanssa tai yhteydessä. Loppukäyttäjä saa käyttää

kuvakkeita, brändinimiä, logoja, tavaramerkkejä tai muita ominaisuuksia vain karttadatan puitteissa (ei erillisenä siitä). Lisäksi loppukäyttäjät ei saa muuttaa hänelle toimitetun Brand Icon Licensed Tele Atlas -tuotteen väriä, muotoa, kokoa ja suuntaa ilman Tele Atlaksen kirjallista etukäteissuostumusta.

b Käyttöoikeuden saaja hyväksyy sen, että Brand Icon Licensed Tele Atlas -tuotteen käyttö on tässä sopimuksessa määritettyjen ehtojen alaista ja että Brand Icon Licensed Tele Atlas -tuotteen käyttöön saattaa kohdistua muita, kolmansien osapuolien ehtoja ja rajoituksia, jotka käyttöoikeuden saaja toimittaa loppukäyttäjälle ajoittain nämä ehdot lisäarvoa sisältävää tuotetta koskevissa julkaisuilmoituksissa.

c Jos loppukäyttäjät tekee kaupallisen sopimuksen mainostuksesta, pay-for-placement-sopimuksesta, myynninedistämisestä tai vastaavasta maksullisesta markkinoinnista jonkin Brand Icon Licensed Tele Atlas -tuotteen mukana toimitetun brändikuvakkeen omistajan (tai heidän edustajansa) kanssa, Tele Atlas saa vähintään kaksikymmentäviisi prosenttia (25 %) tällaisessa kaupallisessa sopimuksessa kerätyistä tuloista, elleivät molemmat osapuolet ole etukäteen kirjallisesti muuta sopineet.

11. Lisäehdot koskien Tele Atlas[®] 3D Landmarks Licensed Tele Atlas -tuotteita ("kolmiulotteiset maamerkit"):

(Seuraavat ehdot koskevat vain tuotteita, jotka sisältävät Tele Atlas[®] 3D Landmarks Licensed Tele Atlas -tuotteita.)

Käyttöoikeuden saaja sitoutuu mahdollisimman pian, mutta viimeistään lisäarvoa sisältävän tuotteen ensimmäisen uuden julkaisun yhteydessä, lisäämään mahdollisiin saamiinsa kolmiulotteisiin maamerkkeihin mahdollisesti liittyvät tekijänoikeusilmoitukset jokaiseen lisäarvoa sisältävään tuotteeseen ja sen "tietolaatikkoon". Edellä mainitusta huolimatta Tele Atlaksella on oman harkintansa mukaisesti oikeus päättää tiettyjen kolmiulotteisten maamerkkien poistamisesta seuraavista lisensoitujen Tele Atlas -tuotteiden julkaisuista. Tällaisessa

tapauksessa käyttöoikeuden saaja poistaa kyseiset kolmiulotteiset maamerkit lisäarvoa sisältävästä tuotteesta mahdollisimman pian, mutta viimeistään lisäarvoa sisältävän tuotteen ensimmäisen uuden julkaisun yhteydessä käyttöoikeuden saajan vastaanotettua päivityksen lisensoituun Tele Atlas -tuotteeseen. Tele Atlasta ei voida pitää vastuussa mahdollisista vaurioista, kustannuksista tai kuluista, joita käyttöoikeuden saajalle on aiheutunut Tele Atlaksen poistettua tällaisen kolmiulotteisen maamerkin lisensoidusta Tele Atlas -tuotteesta, eikä siitä, että käyttöoikeuden saaja ei ole poistanut kolmiulotteista maamerkkiä lisäarvoa sisältävästä tuotteesta.

12. Tekijänoikeusilmoitukset.

Käyttöoikeuden saaja asettaa selvästi näkyville lisensoitujen Tele Atlas -tuotteiden jokaisen sovellettavan tekijänoikeusilmoituksen aloitusnäytöllä, koodissa, tallennusvälineessä, pakkauksessa, Ohje/Tietoa-kappaleessa, käyttöoppaassa ja kaikissa näytetyissä tai tulostetuissa karttakuvissa jokaisen arvonlisäystä sisältävän tuotteen osalta, mikä perustuu seuraaviin:

1 *Tele Atlas[®] MultiNet[®]*

Eurooppa Voimaantulopäivästä alkaen tekijänoikeusilmoitus on: "Data Source © 2009 Tele Atlas B.V."; ja, lisäksi, "perustuu":

a *Tele Atlas[®] MultiNet[®] Itävallan data.* Voimaantulopäivästä alkaen tekijänoikeusilmoitus on: "© BEV, GZ 1368/2003."

b *Tele Atlas[®] MultiNet[®] Tanskan data.* Voimaantulopäivästä alkaen tekijänoikeusilmoitus on: "© DAV, näiden tekijänoikeuksien loukkaaminen voi aiheuttaa laillisia toimenpiteitä."

c *Tele Atlas[®] MultiNet[®] Ranskan data.* Voimaantulopäivästä alkaen tekijänoikeusilmoitus on: "© IGN France.", "Michelin data © Michelin 2009"

d *Tele Atlas[®] MultiNet[®] Iso-Britannian data (paitsi Pohjois-Irlanti).* Voimaantulopäivästä alkaen seuraavat tiedot pätevät: Tämä tuote sisältää karttatietoja, jotka Ordnance Survey on lisensoinut Controller of Her Majesty's

Stationery Officen luvalla. © Crown copyright and/or database right 2009. Kaikki oikeudet pidätetään. Lisenssinumero 100026920.

- e Tele Atlas® MultiNet® Pohjois-Irlannin data. Voimaantulopäivästä alkaen tekijänoikeusilmoitus on: "Ordnance Survey of Northern Ireland."
- f Tele Atlas® MultiNet® Norjan data. Voimaantulopäivästä alkaen tekijänoikeusilmoitus on: "© Norwegian Mapping Authority, yleisten teiden hallinto / © Mapsolutions."
- g Tele Atlas® MultiNet® Venäjän data. Voimaantulopäivästä alkaen tekijänoikeusilmoitus on: "© Roskartographia"
- h Tele Atlas® MultiNet® Sveitsin data. Voimaantulopäivästä alkaen tekijänoikeusilmoitus on: "© Swisstopo."
- i Tele Atlas® MultiNet® Alankomaiden data. Voimaantulopäivästä alkaen tekijänoikeusilmoitus on: "Topografische ondergrond Copyright© dienst voor het kadaster en de openbare registers, Apeldoorn 2006."

toimitetaan kuriirilla PIONEERille, sen lakiasianosastolle.

13. Muuta.

Tämä on yksinomainen ja koko sopimus loppukäyttäjän ja Lisenssinmyöntäjien välillä. Mikään tässä Sopimuksessa ei muodosta yhteisyritystä, liikekumppanuutta tai päämies-agentti-suhdetta Lisenssinmyöntäjien ja loppukäyttäjän välillä. Osat 2, 5 ja 7–12 jäävät voimaan tämän Sopimuksen erääntymisen tai päättämisen jälkeen. Ainostaan PIONEER voi tehdä tähän Sopimukseen muutoksia. Loppukäyttäjä ei saa siirtää mitään tämän Sopimuksen osaa ilman PIONEERin kirjallista ennakkohyväksyntää. Loppukäyttäjä hyväksyy ja ymmärtää, että viennin yhteydessä Dataan saatetaan soveltaa rajoituksia, ja suostuu noudattamaan kaikkia sovellettavia vientimääräyksiä. Mikäli joku tämän Sopimuksen sopimusehto tai sen osa katsotaan olevan pätemätön, laitton tai sitä ei voida panna täytäntöön, kyseinen sopimusehto tai sen osa vedetään Sopimuksessa yli ja Sopimuksen muu osa on voimassa, laillinen ja täytäntöön pantava laajimmassa mahdollisissa puitteissa. Kaikki tähän Sopimukseen liittyvät ilmoitukset

Tietoja karttatietokannan tiedoista

- Teihin, katuihin/moottoriteihin, maastoon, rakennelmiin ja muihin seikkoihin ennen tietokannan kehittämistä/sen kehityksen aikana tehdyt muutokset eivät ehkä näy tässä tietokannassa. Kehitystyön jälkeen tehdyt muutokset eivät luonnollisestikaan näy tässä tietokannassa.
- Riippumatta olemassa olevista ja uusista rakennelmista tiedot voivat poiketa todellisesta tilanteesta.
- Katso lisätietoja tämän navigointijärjestelmän karttojen kattavuudesta web-sivuiltamme.
- Koko kartan tai minkään sen osien käyttö missään muodossa ilman tekijänoikeuksien omistajan lupaa on ankarasti kielletty.
- Mikäli paikalliset liikennesäännöt tai -olosuhteet eroavat näistä tiedoista, noudata paikallisia määräyksiä (kuten merkit, osoitukset jne.) ja olosuhteita (kuten rakennustyöt, ilma jne.).
- Kartassa käytettyjen tietojen sisältämät liikennemääräystiedot koskevat vain vakiokokoisia ajoneuvoja. Huomaa, että isokokoisia ajoneuvoja, moottoripyöriä tai muita ei-vakioajoneuvoja koskevat määräykset eivät sisälly tietokantaan.
- Karttaversio, Tele Atlas. Julk. 06/2009.



VAROITUS

- Älä yritä asentaa tai huoltaa navigointijärjestelmää itse. Elektronisten laitteiden ja autojen lisävarusteiden asennukseen ja huoltoon tottumattomien henkilöiden voi olla vaarallista asentaa navigointijärjestelmää sähköiskuvaaran ja muiden tapaturmariskien vuoksi.
- Mikäli navigointijärjestelmän sisään menee nestettä tai jotain muuta sinne kuulumatonta, pysäköi auto turvalliseen paikkaan, käännä virtalukko heti pois päältä (ACC OFF) ja ota yhteys jälleenmyyjään tai lähimpään Pioneer-huoltopisteeseen. Älä käytä navigointijärjestelmää tässä tilassa. Seurauksena voi olla tulipalo tai sähköisku tai muu vika.
- Jos havaitset savua, vierasta ääntä tai hajua navigaatiojärjestelmästä tai muita epänormaaleja merkkejä LCD-näytöstä, sulje laite välittömästi ja ota yhteys jälleenmyyjään tai lähimpään valtuutettuun Pioneer-huoltopisteeseen. Navigointijärjestelmän käyttö tässä tilassa voi johtaa järjestelmän pysyvään voiittumiseen.
- Älä pura tai muokkaa navigointijärjestelmää, koska laitteen sisällä olevat korkeajännitteiset osat voivat aiheuttaa sähköiskun. Ota yhteys jälleenmyyjään tai lähimpään valtuutettuun Pioneer-huoltoon laitteen sisäisen tarkastuksen, säätöjen tai korjausten vuoksi.
- Älä päästä laitetta kosketuksiin nesteiden kanssa. Seurauksena voi olla sähköisku. Myös voi aiheutua laitteen vahingoittuminen sekä savua ja ylikuumenemista.

VAARA

- Kun reitti lasketaan, reittiohjaus ja reitin ääniohjaus asetetaan automaattisesti. Lisäksi näytetään päivä- ja yöliikennettä koskevat liikennemääräykset, mutta vain ne, jotka olivat voimassa reitin laskennan aikaan. Yksisuuntaisia teitä ja tiesulkuja ei välttämättä oteta huomioon. Jos esimerkiksi katu on avoinna vain aamuisin, mutta saavut sinne myöhemmin, et voi ajaa laskettu reittiä. Noudata aina todellisia

liikennemerkkejä ajaessasi. Järjestelmä ei myöskään välttämättä tunne kaikki liikennemääräyksiä.

- Älä asenna navigointijärjestelmää paikkoihin, joissa lämpötila tai ilmankosteus on suuri, esim.:
 - Lähelle lämmitintä, tuuletusaukkoa tai ilmastointilaitetta.
 - Suoraan auringonvaloon, kuten kojetaulun tai hattuhyllyn päälle.
 - Mahdollisesti sadevedelle altistuviin paikkoihin, esim. oven lähelle tai auton lattialle.

Ennen kuin käytät navigointijärjestelmää, lue seuraavat turvallisuustiedot huolellisesti.

- Lue koko käsikirja ennen kuin käytät tätä navigointijärjestelmää.
- Navigointijärjestelmän navigointitoiminnot on tarkoitettu ainoastaan avustamaan auton ajamisessa. Ne eivät korvaa tarkkaavaisuutta, harkintaa ja varovaisuutta ajon aikana.
- Älä käytä navigointijärjestelmää, jos se vie huomiosi jotenkin pois auton turvalliseen käytöstä. Huomioi aina ajoturvallisuus ja voimassa olevat liikennemääräykset. Jos järjestelmän käyttö tai näytön lukeminen tuntuu vaikealta, pysäytä auto turvallisesti ja kytke käsijarru päälle ennen kuin suoritat säätöjä laitteeseen.
- Älä anna muiden henkilöiden käyttää tätä järjestelmää, elleivät he ole lukeneet ja ymmärtäneet käyttöohjeita.
- Älä koskaan käytä tätä navigointijärjestelmää opastamaan sairaaloihin, poliisiasemille tai vastaaviin paikkoihin hätätilanteessa. Lopeta kaikki hands-free-puheluun liittyvät toiminnot ja soita asianomaiseen hätänumeroon.
- Tämän laitteen näyttämät reitti- ja opastustiedot ovat vain ohjeellisia. Ne eivät ehkä heijasti tarkasti viimeisiä sallittuja reittejä, teiden kuntoa, katujen yksisuuntaisuutta, tiesulkuja tai liikennerajoituksia.
- Voimassa olevat liikennerajoitukset ja -suositukset tulee aina asettaa etusijalle verrattuna navigointijärjestelmän antamiin ohjeisiin. Noudata aina voimassa olevia liikennerajoituksia, vaikka

navigointijärjestelmä antaisi vastakkaisia ohjeita.

- Jos laitteeseen ei syötetä oikeita tietoja paikallisesta ajasta, navigointijärjestelmä voi antaa vääriä reitti- ja opastustietoja.
- Älä koskaan aseta navigointijärjestelmän äänenvoimakkuutta niin korkeaksi, ettei kuule ulkopuolista liikennettä ja hälytysajoneuvoja.
- Lisäturvallisuuden vuoksi jotkin toiminnot eivät ole käytössä ennen kuin ajoneuvo pysäytetään ja/tai käsijarru kytketään päälle.
- Sisäänrakennetun muistin sisältämät tiedot ovat tuottajan aineetonta omaisuutta ja tuottaja on vastuussa sellaisesta sisällöstä.
- Pidä tämä käsikirja laitteen mukana niin, että voit tarkistaa siitä toimintojen käytön ja turvallisuustiedot.
- Ota huomioon kaikki tämän käsikirjan varoitukset ja noudata ohjeita huolellisesti.
- Älä asenna tätä navigointijärjestelmää siten, että se voi (i) haitata kuljettajan näkyvyyttä, (ii) heikentää ajoneuvon toimintojen tai turvajärjestelmien toimintaa, mukaan lukien turvatyyny ja varoitusvalopainikkeet, tai (iii) heikentää kuljettajan kykyä ohjata turvallisesti autoa.
- Muista kiinnittää turvavyö aina, kun matkustat autolla. Jos joudut onnettomuuteen, vammasi voivat olla huomattavasti vakavammat, jos turvavyösi ei ole kunnolla kiinnitetty.
- Muista kiinnittää irrotettava laite peruslaitteeseen käyttäessäsi sitä autossa. Jos irrotettavaa laitetta käytetään, kun sitä ei ole kiinnitetty tukevasti peruslaitteeseen, se saattaa vaurioitua äkkipysähdyksessä.
- Älä koskaan käytä kuulokkeita ajaessasi.

Irrotettavaa laitetta koskevat varoitukset

VAARA

- Älä jätä irrotettavaa laitetta paikkaan, jossa siihen saattaa kohdistua korkeita lämpötiloja tai kosteutta, kuten:
 - Lähelle lämmitintä, tuuletusaukkoa tai ilmastointilaitetta.

- Suoraan auringonvaloon, kuten kojetaulun tai tattuhyllyn päälle.
- Mahdollisesti sadevedelle altistuviin paikkoihin, esim. oven lähelle tai auton lattialle.
- Älä kosketa irrotettavan laitteen tai peruslaitteen liittimiä. Se saattaa aiheuttaa yhteysvikoja. Jos liittimet ovat likaisia, pyyhi ne puhtaalla kuivalla kankaalla.
- Kytke virtalukko pois päältä (ACC OFF) ennen irrotettavan laitteen irrottamista.
- Kun kiinnität irrotettavan laitteen, muista kiinnittää se peruslaitteeseen ennen virtalukon kytkemistä päälle (ACC ON).
- Irrotettuasi irrotettavan laitteen pidä se turvallisessa paikassa, jossa se ei naarmuunnu tai vahingoitu. Kun poistut autosta, irrota irrotettava laite peruslaitteesta ja ota se mukaasi.
- Älä koskaan käytä voimaa irrottamiseen tai kiinnittämiseen.
- Suojaa irrotettavaa laitetta liiallisilta iskuilta.

Irrotettavan laitteen akun lataaminen

- Lataaminen ei ole mahdollista, kun lämpötila on latauslämpötila-alueen ulkopuolella.
 - Akun toimintalämpötila voi olla 0 °C - +55 °C.
 - Akun latauslämpötila voi olla -20 °C - +60 °C.
- Irrotettavan laitteen akkua ladataan seuraavissa tilanteissa.
 - Kun irrotettava laite on kiinnitetty peruslaitteeseen ja tämä navigointijärjestelmä AV-vastaanottimeen virtalukon ollessa kytketty päälle (ACC ON).
 - Kun irrotettava laite on liitetty tietokoneeseen.
- Akun käyttöikä on rajallinen. Akun latauksen kesto lyhenee, kun akkua ladataan toistuvasti. Jos akun latauksen kesto on hyvin lyhyt, se saattaa olla kulumassa loppuun. Käännä jälleenmyyjän tai lähimmän valtuutetun Pioneer-huoltopisteen puoleen ja vaihda akku uuteen.
- Kun akku tyhjenee täysin tai lämpötila on latauslämpötila-alueen ulkopuolella,

Tärkeitä turvallisuustietoja

Järjestelmä ei voi käynnistyä, ennen kuin akun lataaminen alkaa. Siinä tapauksessa järjestelmän käynnistyminen saattaa kestää muutaman minuutin.

- Jos navigointijärjestelmä ei käynnisty hetken kuluttua eikä virran merkkivalo syty, vaihtoakku voi olla tarpeen. Ota yhteys lähimpään valtuutettuun Pioneer-huoltoon.

Eco-ajotoiminto

- Laskettu polttoaineenkulutus perustuu teoreettiseen arvoon, joka on määritetty navigointijärjestelmän välittämien ajonopeus- ja sijaintitietojen mukaan. Näytetty polttoaineenkulutus on vain viitteellinen eikä tae sen saavuttamisesta.
- Ekologisen ajotavan toiminto on arvio reaaliaikaisen ja keskimääräisen polttoaineenkulutuksen suhteesta eikä todellinen arvo.
- Ekologisen ajotavan toiminnot ja laskelmat ottavat huomioon GPS-sijainnin ja auton ajonopeuden arvoa määriteltäessä.
- Tämän laitteen merkinnät voivat poiketa todellisesta arvosta.
- Jotkut tämän laitteen ominaisuuksista eivät huomioi ajoneuvotyyppejä, johon laite on asennettu.

Polttoainekustannusten hallinta

Nämä laskelmat perustuvat ainoastaan antamiisi arvoihin eivätkä mihinkään auton välittämiin tietoihin. Näytetty polttoaineenkulutus on pelkkä viitearvo eikä tae siitä, että se voidaan saavuttaa.

Liikennetietoja

- Pioneer ei ole vastuussa lähetettävien tietojen paikkansapitävyydestä.
- Pioneer ei ole vastuussa radioasemien tai vastaavien yhtiöiden tarjoamien tietopalvelujen muutoksista, kuten palvelujen peruuttamisesta tai muuttamisesta maksullisiksi. Emme

myöskään hyväksy tuotteen palauttamista tällä perusteella.

Nopeusrajoituksen osoitus

Nopeusrajoitus perustuu kartan tietokantaan. Tietokannan nopeusrajoitus ei välttämättä vastaa nykyisen tien todellista nopeusrajoitusta. Kyseessä ei ole ehdoton arvo. On tärkeää, että ajat todellisen nopeusrajoituksen mukaan.

Käsijarrulukko

Tämä navigointijärjestelmä vastaanottaa tiedon käsijarrun tilasta liitetystä AV-vastaanottimelta.

Tietyt tämän navigointijärjestelmän toiminnot (kuten tietyt kosketusnäppäintoinnot) voivat olla vaarallisia ja/tai laittomia käytettäessä ajon aikana. Näiden toimintojen käytön estämiseksi ajon aikana on olemassa lukitusjärjestelmä, joka havaitsee, milloin käsijarru on päällä ja milloin auto liikkuu. Mikäli näitä toimintoja yritetään käyttää ajon aikana, ne poistuvat käytöstä, kunnes auto pysäytetään turvalliseen paikkaan ja käsijarru laitetaan päälle. Pidä jarrupoljin alhaalla ennen käsijarrun vapauttamista.

Kun kytket käsijarrun käyttäaksesi muita navigointijärjestelmän tarjoamia toimintoja, pysäköi ajoneuvo turvalliseen paikkaan. Pidä jarrupoljin alhaalla ennen käsijarrun vapauttamista, mikäli ajoneuvo on pysäköity mäkeen tai voisi muuten liikkua käsijarrua vapautettaessa.

Akun tyhjenemisen estäminen

Anna ajoneuvon moottorin olla käynnissä kun käytät tätä laitetta. Laitteen käyttö ilman, että moottori on käynnissä, voi tyhjentää akun.

VAROITUS

Älä asenna tuotetta ajoneuvoihin, joissa ei ole ACC-asentoa.

SD-korttipaikan käsittely

SD-muistikorttia ja SDCH-muistikorttia kutsutaan yhteisellä nimellä "SD-muistikortti".

VAARA

- Pidä SD-muistikortti poissa pikkulasten ulottuvilta, jotteivät he vahingossa nielisi sitä.
- Vältä tietojen häviäminen ja tallennuslaitteen vahingoittuminen jättämällä kortti navigointijärjestelmään, siksi aikaa kun tietoja siirretään.

- Jos tallennuslaitteessa tapahtuu jostain syystä tietojen häviämistä tai sokeutumista, ei tietoja yleensä pystytä palauttamaan. Pioneer ei vastaa tietojen häviämisestä tai sokeutumisesta johtuvia vahinkoja, kustannuksia tai kuluja.
- Älä työnnä SD-muistikorttia laitteeseen tai poista sitä siitä ajon aikana.

USB-liitännän (Mini-B) käyttö

- Irrotettavan laitteen USB-liitäntää (Mini-B) käytetään ainoastaan irrotettavan laitteen liittämiseen tietokoneeseen. Järjestelmä ei pysty tunnistamaan liitettyä USB-tallennuslaitetta, jos se on kytketty USB-liitäntään.

VAARA

- SD-muistikortin sisältämän datan menetyksen ja vaurioitumisen estämiseksi korttia ei saa poistaa tietokoneesta tiedonsiirron aikana.
- Jos SD-muistikortissa tapahtuu jostain syystä tietojen häviämistä tai sokeutumista, ei tietoja yleensä pystytä palauttamaan. Pioneer ei vastaa tietojen häviämisestä tai sokeutumisesta johtuvia vahinkoja, kustannuksia tai kuluja.

Häiriön sattuessa

Ellei navigointijärjestelmä toimi kunnolla, ota yhteys jälleenmyyjään tai lähimpään valtuutettuun Pioneer-huoltopisteeseen.

Vieraile web-sivuillamme

Vieraile sivuillamme osoitteessa:

www.pioneer.fi

- Rekisteröi tuotteesi. Säilytämme hankintatietosi tiedostossa, jotta voisit viitata näihin tietoihin mahdollisen vakuutusvaatimuksen yhteydessä, kuten varkaus tai katoaminen.
- Sivustollamme on uusimmat Pioneer Corporationia koskevat tiedot.

Tietoja laitteesta

Navigointijärjestelmä ei toimi oikein muualla kuin Euroopan alueella. RDS- (radio data system) -toiminto toimii vain alueilla, joilla on RDS-signaaleja lähettäviä FM-asemia. RDS-TMC -palvelua voidaan myös käyttää alueella, jossa on RDS-TMC -signaalia lähettävä asema.

Toimitettu CD-ROM

Käyttöympäristö

Mukana toimitettua CD-ROM-levyä voidaan käyttää seuraavien käyttöjärjestelmien kanssa: Microsoft® Windows® 2000/XP ja Apple Mac OS X 10.4.

CD-ROM-levyissä olevien ohjekirjojen lukemiseen tarvitaan Adobe Reader (versio 4.0 tai uudempi).

Käyttövaroitukset

Tämä CD-ROM on tarkoitettu tietokonekäyttöön. Sitä ei voida käyttää muissa DVD/CD-soittimissa tai -levyasemissa. Jos CD-ROM-levyä yritetään käyttää tällaisissa laitteissa, kaiuttimet voivat vioittua tai kuulo vaurioitua liian suuren äänenvoimakkuuden takia.

Käyttöoikeus

Hyväksy alla olevat "Käyttöehdot" ennen CD-ROM-levyn käyttöä. Älä käytä sitä, mikäli et halua hyväksyä käyttöehtoja.

Käyttöehdot

CD-ROM-levyllä olevien tietojen tekijänoikeudet omistaa Pioneer Corporation. Luvaton siirtäminen, monistaminen, radioiminen, yleinen lähettäminen, kääntäminen, myynti, lainaaminen tai muut vastaavat keinot, jotka eivät sisälly tekijänoikeussuojassa määritetyn "henkilökohtaisen käytön" tai "sitaatin" puitteisiin, voivat johtaa rangaistustoimenpiteisiin. Pioneer Corporation antaa lisenssillä luvan tämän CD-ROM-levyn käyttöön.

Yleinen vastuuvapauslauseke

Pioneer Corporation ei takaa tämän CD-ROM-levyn toimintaa tietokoneissa, joissa käytetään jotain soveltuvista käyttöjärjestelmistä. Lisäksi Pioneer Corporation ei ole velvollinen korvaamaan mitään vahinkoja, jotka johtuvat tämän CD-ROM-levyn käytöstä, eikä ole vastuussa mistään korvauksista.

Huom.

- Kun käytät CD-ROM-levyä Mac OS -käyttöjärjestelmässä, aseta CD-ROM-levy CD-asemaan ja käynnistä sovellus sitten kaksoisnapsauttamalla CD-ROM-kuvaketta.

Tässä mainitut yksityisten yhtiöiden, tuotteiden ja muiden yhteisöjen nimet ovat rekisteröityjä tuotemerkkejä tai vastaavien yhtiöidensä tuotemerkkejä.

⇒ Lisätietoja on käyttöohjeessa.

PIONEER CORPORATION

1-1, Shin-Ogura Saiwai-ku, Kawasaki-shi
Kanagawa-ken 212-0031, JAPAN

PIONEER ELECTRONICS (USA) INC.

P.O. Box 1540, Long Beach, California 90801-1540, U.S.A.
TEL: (800) 421-1404

PIONEER EUROPE NV

Haven 1087, Keetberglaan 1, B-9120 Melsele, Belgium
TEL: (0) 3/570.05.11

PIONEER ELECTRONICS ASIACENTRE PTE. LTD.

253 Alexandra Road, #04-01, Singapore 159936
TEL: 65-6472-7555

PIONEER ELECTRONICS AUSTRALIA PTY. LTD.

178-184 Boundary Road, Braeside, Victoria 3195, Australia
TEL: (03) 9586-6300

PIONEER ELECTRONICS OF CANADA, INC.

300 Allstate Parkway, Markham, Ontario L3R OP2, Canada
TEL: 1-877-283-5901

PIONEER ELECTRONICS DE MEXICO, S.A. de C.V.

Blvd. Manuel Avila Camacho 138 10 piso
Col. Lomas de Chapultepec, Mexico, D.F. 11000
TEL: 55-9178-4270

先鋒股份有限公司

總公司: 台北市中山北路二段44號13樓

電話: (02) 2521-3588

先鋒電子(香港)有限公司

香港九龍尖沙咀海港城世界商業中心9樓901-6室

電話: (0852) 2848-6488