



Hits

2010-1

Valid until
31.08.2010
Prices exclude
VAT
Version 33
EN - SEK



NEW TESA DIGICO Measuring Span 25 mm

- Large combined analogue/numerical display
- Absolute (ABS) and Difference (DIFF) modes
- Resolution to 0,01 mm or 0,001 mm
- Metric/Inch conversion
- Mechanical and numerical tolerances
- PRESET-function
- Max-Min function (series 600)
- Data output



DIGICO 25 mm
from:
SEK 2751





TESA DIGICO

The only electronic indicators with a DIN standard full size face. Rotatable faces available on most models.



TESA DIGICO
from:
SEK 1439



USB Cable
04761062
SEK 998



Order No.	Description	Measuring span, m		Display			Resolution, mm		Protection IP54	Measuring functions			List prices SEK	Special prices SEK
		12,5	25	mm	mm/in	rotatable	0,01	0,001		Tolerances	Max-Min	Int. dim.		
01910230	DIGICO 205 M	•		•			•						1976	1439
01910231	DIGICO 305 M	•		•				•					3186	2321
01930230	DIGICO 205 MI	•			•		•						1976	1439
01930231	DIGICO 305 MI	•			•			•					3186	2321
01930232	DIGICO 305 MIE	•			•			•	•				3456	2520
01930240	DIGICO 405 MI	•			•	•	•			•			2506	1827
01930241	NEW DIGICO 410 MI		•		•	•	•			•			3780	2751
01930250	DIGICO 505 MI	•			•	•		•		•			3521	2562
01930251	NEW DIGICO 510 MI		•		•	•		•		•			4158	3024
01930255	DIGICO 505 MIE	•			•	•		•	•	•			3899	2835
01930256	DIGICO 605 MI	•			•	•		•		•	•		4028	2930
01930257	NEW DIGICO 610 MI		•		•	•		•		•	•		4666	3402
01930258	DIGICO 705 MI	•			•	•		•		•	•		4158	3024



USB PROBES

Our new USB probes are remarkably easy to use and demonstrate high accuracy throughout the measuring range.

NEW



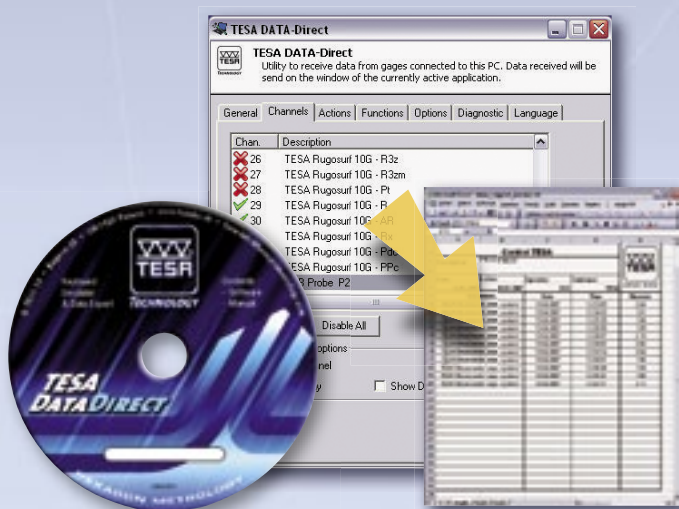
03230200



03230201

USB PROBE
from:
SEK 4116

Order No.	Description	Measuring span mm	Accuracy (MPE) μ m	List prices SEK	Special prices SEK
03230200	GTL 21 USB	± 2	1,2	4979	4116
03230201	GTL 22 USB	± 2	1,2	5076	4200
03230204	GT 61 USB	± 5	3	5994	4956
03230205	GT 62 USB	± 5	3	6113	5061



SOFTWARE
from:
SEK 4400

Order No.	Description	List prices SEK	Special prices SEK
04981001	DATA-Direct Advanced, Software for data transfer	5022	4400
04981002	STAT Express, Software for data acquisition and statistical data processing	11135	9765



TESA-Hite Magna
Capable of withstanding
the toughest workshop conditions.

TESA-Hite 400 / 700
Robust and reliable – Ideally
suited for your metrology
applications in the workshop.

TESA-HITE
from:
SEK 20895



Order No.	Description	Measuring span, mm	Max. perm. errors (MPE)	Repeatability (2 σ) μ m	List prices SEK	Special prices SEK
00730047	TESA-HITE Magna 400	415	8 μ m	3	26060	20895
00730059	TESA-HITE Magna 700	715	8 μ m	3	32605	26145
00730043	TESA-HITE 400	415	(2,5 + 4L) μ m L in m	2	37886	29295
00730044	TESA-HITE 700	715	(2,5 + 4L) μ m L in m	2	47477	36960





TESA-Hite Plus M
 2D height gauges that offer a
 wide range of functions and an
 unparalleled price/performance ratio.



TESA-HITE Plus M
 from:
SEK 39743



Order No.	Description	Measuring span mm	List prices SEK	Special prices SEK
00730045	TESA-HITE Plus M 400	405	54529	39743
00730046	TESA-HITE Plus M 700	705	61603	41948
00730057	TESA-HITE Plus M 400 + built-in printer	405	58277	42473
00730058	TESA-HITE Plus M 700 + built-in printer	705	65351	44468

1D

2D Motorised

- Max. perm. error: 2,5 + 3L, L en m
- Repeatability (2s): 1 µm



TESA IMICRO

A clever combination of our TESA capa μ system technology with our unique TESA IMICRO measuring cone. All these micrometers comply strictly with the ABBE principle.



TESA IMICRO
from :
SEK 6731

Order No.	Description	Measuring range mm	MPE μ m	List prices SEK	Special prices SEK
06130101	IMICRO DIGITAL CAPA	3,5 \div 4,0	4	10724	8337
06130102	IMICRO DIGITAL CAPA	4,0 \div 4,5	4	10724	8337
06130103	IMICRO DIGITAL CAPA	4,5 \div 5,5	4	10724	8337
06130104	IMICRO DIGITAL CAPA	5,5 \div 6,5	4	10724	8337
06130105	IMICRO DIGITAL CAPA	6 \div 8	4	8662	6731
06130106	IMICRO DIGITAL CAPA	8 \div 10	4	8726	6783
06130107	IMICRO DIGITAL CAPA	10 \div 12	4	8791	6836
06130108	IMICRO DIGITAL CAPA	11 \div 14	4	8834	6867
06130109	IMICRO DIGITAL CAPA	14 \div 17	4	8878	6899
06130110	IMICRO DIGITAL CAPA	17 \div 20	4	8921	6930
06130111	IMICRO DIGITAL CAPA	20 \div 25	4	8986	6983
06130112	IMICRO DIGITAL CAPA	25 \div 30	4	9083	7056
06130113	IMICRO DIGITAL CAPA	30 \div 35	4	9212	7161
06130114	IMICRO DIGITAL CAPA	35 \div 40	4	9331	7256
06130115	IMICRO DIGITAL CAPA	40 \div 50	5	9634	7487
06130116	IMICRO DIGITAL CAPA	50 \div 60	5	9817	7634
06130117	IMICRO DIGITAL CAPA	60 \div 70	5	10076	7833
06130118	IMICRO DIGITAL CAPA	70 \div 80	5	10282	7991
06130119	IMICRO DIGITAL CAPA	80 \div 90	5	10498	8159
06130120	IMICRO DIGITAL CAPA	90 \div 100	5	10724	8337
06130121	IMICRO DIGITAL CAPA	100 \div 125	6	16016	12453



TESA RUGOSURF

Small-size, sturdy and versatile surface roughness testing instruments.



TESA RUGOSURF 10G
06930011P
SEK 25095

TESA Rugosurf 10G
+ Free Rugosoft Software
Measuring span: X = 16 mm, Z = 300 µm
Standards: ISO 4287 / JIS B0601 / PrEN 10049 /
ISO 13565 / DIN 4776 / DB N31007 / ISO 12085 (CNOMO)



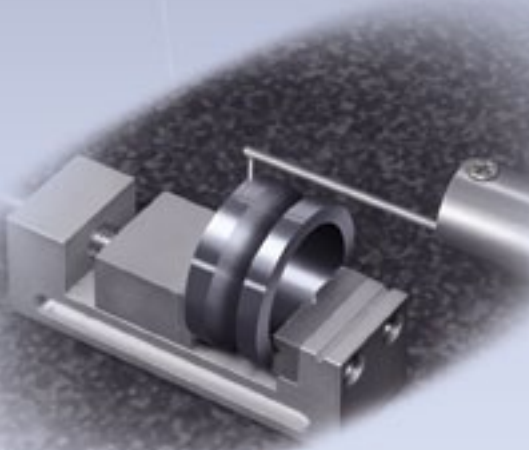
TESA RUGOSURF 10
06930010
SEK 15645

TESA-RUGOSURF 10
Measuring span: X = 16 mm, Z = 160 µm
Standards: ISO 4287 / JIS B0601 / ISO 12085 (CNOMO)



TESA RUGOSURF 90G
06930012P
SEK 57645

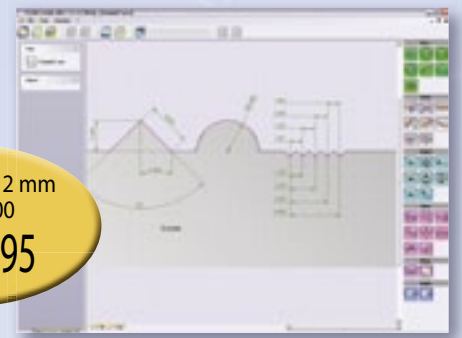
TESA Rugosurf 90G
+ Free Measurement Studio Software
Measuring span: X = 50 mm, Z = 1000 µm
Standards: ISO 4287 / JIS B0601 / PrEN 10049 /
ISO 13565 / DIN 4776 / DB N3 1007 / ISO 12085 (CNOMO)



OPTIONAL
Profile set
for TESA
Rugosurf 90G

TESA Profile Set 2 mm
The solution for profile measurement
up to 2 mm (Z) or 50 mm (X)
Full set consisting of:
– SB2000 probe, Z = 2 mm
– Profil Studio software
– USB cable
– Reference test block, inspection report

SET PROFILE 2 mm
06960100
SEK 52395





Hits



TESA Calipers
Accurate – Durable –
Affordable – Indispensable



CALIPERS
from:
SEK 830

Order No.	Description	List prices SEK	Special prices SEK
00510008	CCMA with full metal housing, 150 mm – 0,02 mm – 2 mm/rotation	1145	830
00530300	TESA-CAL IP67, 150 mm	1555	1145
00530241	TESA-CAL IP67, depth caliper, 200 mm	3607	2804
00530242	TESA-CAL IP67, depth caliper, 250 mm	3823	2972
00530243	TESA-CAL IP67, depth caliper, 300 mm	4007	3108



UNIMERCO AB
 Sagaholmsvägen 9
 S-553 02 Jönköping
 TEL +46 036-34 46 00
 FAX +46 036-31 32 00
 UMSE@UNIMERCO.COM

TESA SA Switzerland
 Bugnon 38
 CH-1020 Renens
 Vente Suisse
 Tél. +41 (0)21 633 16 00
 Fax +41 (0)21 633 17 57
 tesa-ventech@hexagonmetrology.com

TESA FRANCE SAS
 13-15, av. Georges de La Tour
 F-54303 Lunéville Cedex
 Tél. +33 (0)3 83 76 83 76
 Fax +33 (0)3 83 74 13 16
 tesa-france@hexagonmetrology.com

TESA Technology
 Deutschland GmbH
 Netzstraße 32
 D-71638 Ludwigsburg
 Tel. +49 (0)7141 8747 0
 Fax +49 (0)7141 8747 88
 tesa-de@hexagonmetrology.com

TESA Technology UK Ltd.
 Metrology House
 Halesfield 13
 Telford, Shrops. TF7 4PL
 Tel. +44 1952 681 349
 Fax +44 1952 681 391
 tesa-uk@hexagonmetrology.com

TESA Technology ITALIA s.r.l.
 Via Bizzozzero, 118
 IT-20032 Cormano (MI)
 Tel. +39 02 663 053 69
 Fax +39 02 663 090 82
 tesa-italia@hexagonmetrology.com

TESA Technology Ibérica
 Av. de Vizcaya s/n
 Apart. 202
 ES-48260 Ermua
 Tel. +34 943 170 340
 Fax +34 943 172 092
 tesa-iberica@hexagonmetrology.com

TESA Benelux
 Pascal Siebens
 Van Elderenlaan 1
 NL-5581 WJ Waalre
 Tel. +31 (0)40 222 06 08
 Fax +31 (0)40 222 17 16
 tesa-benelux@hexagonmetrology.com

TESA SA – Bugnon 38 – CH-1020 Renens – Switzerland – Tel. +41(0)21 633 16 00 – Fax +41(0)21 633 75 35 – www.tesabs.ch – tesa-info@hexagonmetrology.com

Printed in Switzerland – All modification rights reserved – 10012.050.0910 – Version 33

HEXAGON METROLOGY